

NOTES

- 適合ハウジング: 502578-****, 503149-****
APPLICABLE HOUSING: 502578-****, 503149-****
- 図示の斜線部の範囲は、接点部のため、傷、打痕、汚れなどを付けないようにして下さい。
PLEASE DON'T DAMAGE, DON'T DENT, AND DON'T MAKE IT DIRTY. BECAUSE THE RANGE IN THE SHADED PORTION SHOWN IN FIGURE IS THE CONTACT AREA.
- トレードマーク: MX プラス1文字の製造工場を示すアルファベットにて表示。但し「J」は JAPAN を示す。(例 MXJ)
FORMED BY MX AND 1 MORE LETTER OF ALPHABET WHICH MEAN THE MANUFACTORY. BUT "J" MEANS JAPAN. (TO TRADE MARK) (e.g. MXJ)
- ELV 及び RoHS 適合品
ELV AND RoHS COMPLIANT

| | | | |
|------------------------|----------------------|----------------------|--------------|
| φ0.78-1.28mm | AWG#24-28 | 502579-0100 | バラ状 LOSE |
| | | 502579-0000 | 連鎖状 CHAIN |
| 絶縁被覆外径範囲 INS. RANGE | 適用電線範囲 WIRE RANGE | 製品番号 MATERIAL NO. | 端子形状 FORM |

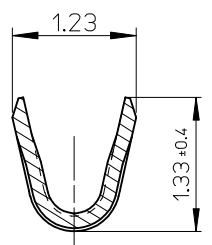
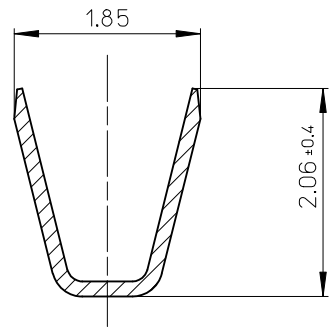
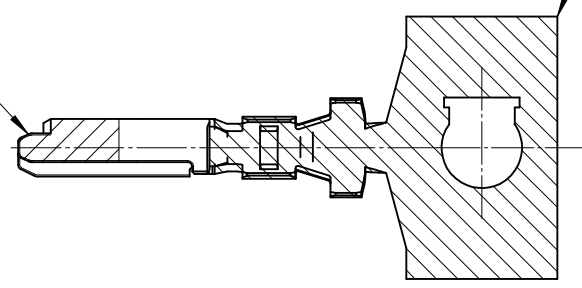
| 部品 PART | 材質 MATERIAL |
|-------------------|--|
| ターミナル TERMINAL | 銅合金 COPPER ALLOY |
| | 錫めっき: 0.4 micro-meter MIN. リフロー処理(前めっき) TIN REFLOW TREATMENT (PRE-PLATED) |
| | ニッケルめっき(下地): 0.1 micro-meter MIN. リフロー処理(前めっき) NICKEL (UNDER PLATING) REFLOW TREATMENT (PRE-PLATED) |

| | | |
|--|--|-------|
| REVISED EC NO: J2010-2153 DRWN: YG010 2010/04/27 CHKD: KASAKAWA 2010/04/29 APPR: NUKITA 2010/05/12 | GENERAL TOLERANCES (UNLESS SPECIFIED) | |
| | 10 UNDER | ±0.2 |
| | 10 OVER 30 UNDER | ±0.25 |
| | 30 OVER | ±0.3 |
| | ANGULAR | ±3 ° |
| | DRAFT WHERE APPLICABLE MUST REMAIN WITHIN DIMENSIONS | |

| | | | | |
|---|-------------------------------|--|------------------------|---------------------------|
| DIMENSION STYLE MM ONLY | | SCALE 10:1 | DESIGN UNITS METRIC | THIRD ANGLE PROJECTION |
| DRAWN BY NITO | DATE 2007/07/09 | TITLE 1.5 W/B CONN. SINGLE PLUG TERMINAL | | |
| CHECKED BY KASAKAWA | DATE 2007/07/09 | MOLEX INCORPORATED | | |
| APPROVED BY YOITO | DATE 2007/07/09 | | | |
| MATERIAL NO. SEE TABLE | DOCUMENT NO. SD-502579-001 | SHEET NO. 1 OF 1 | | |
| SIZE A3 THIS DRAWING CONTAINS INFORMATION THAT IS PROPRIETARY TO MOLEX INCORPORATED AND SHOULD NOT BE USED WITHOUT WRITTEN PERMISSION | | | | |

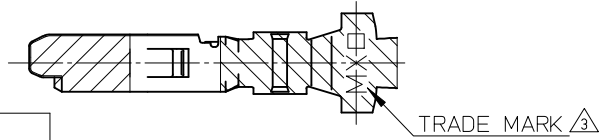
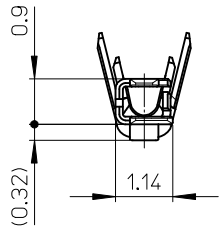
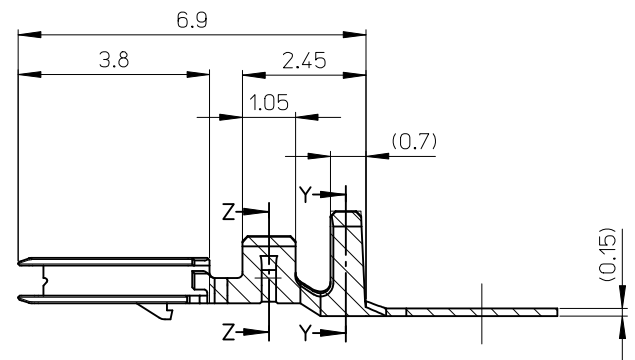
△ Au PLATING AREA

Sn PLATING AREA



SECTION Y-Y
(SCALE 20-1)

SECTION Z-Z
(SCALE 20-1)



NOTES

- 適合ハウジング: 502578****, 503149****
APPLICABLE HOUSING: 502578****, 503149****
- 図示の斜線部の範囲は、接点部のため、傷、打痕、汚れなどを付けないようにして下さい。
PLEASE DON'T DAMAGE, DON'T DENT, AND DON'T MAKE IT DIRTY. BECAUSE THE RANGE IN THE SHADED PORTION SHOWN IN FIGURE IS THE CONTACT AREA.
- トレードマーク: MX プラス1文字の製造工場を示すアルファベットにて表示。但し「J」は JAPAN を示す。(例 MXJ)
FORMED BY MX AND 1 MORE LETTER OF ALPHABET WHICH MEAN THE MANUFACTORY. BUT "J" MEANS JAPAN. (TO TRADE MARK) (e.g. MXJ)
- ELV 及び RoHS 適合品
ELV AND RoHS COMPLIANT

| | | |
|-------------------|---|---|
| 部品 PART | 材質 MATERIAL | |
| | 5025791*** | |
| ターミナル TERMINAL | コンタクト部 CONTACT POS. | 銅合金 COPPER ALLOY 金めっき: 0.2 μm MIN. GOLD リフロー処理(前めっき) REFLOW TREATMENT (PRE-PLATED) |
| | バレル部 BARREL POS. | 錫めっき: 1.0 μm MIN. TIN リフロー処理(前めっき) REFLOW TREATMENT (PRE-PLATED) |
| | ニッケルめっき(下地): 1.0 micro-meter MIN. NICKEL (UNDER PLATING) リフロー処理(前めっき) REFLOW TREATMENT (PRE-PLATED) | |

| | | |
|---|--|------------------|
| RELEASED EC NO: J2015-0528 DRWN: TAKAIKE 2014/10/21 CHKD: KASAKAWA 2015/02/16 APPR: NUKITA 2015/02/16 | GENERAL TOLERANCES (UNLESS SPECIFIED) | |
| | 0.25 UNDER | UNDER ± 0.03 |
| | 0.25 OVER | 0.5 UNDER ± 0.05 |
| | 0.5 OVER | 1.0 UNDER ± 0.1 |
| | 1.0 OVER | 30 UNDER ± 0.2 |
| 30 OVER | ± 0.25 | |
| ANGULAR | ± 3 ° | |
| DRAFT WHERE APPLICABLE MUST REMAIN WITHIN DIMENSIONS | | |
| A | REV | |

| | | | | |
|--|--------------------|--|------------------------|---------------------------|
| DIMENSION STYLE MM ONLY | | SCALE 10:1 | DESIGN UNITS METRIC | THIRD ANGLE PROJECTION |
| DRAWN BY TAKAIKE | DATE 2014/10/21 | TITLE 1.5 W/B CONN. SINGLE PLUG TERMINAL | | |
| CHECKED BY KASAKAWA | DATE 2015/02/16 | MATERIAL NO. SD-502579-002 | | |
| APPROVED BY NUKITA | DATE 2015/02/16 | SHEET NO. 1 OF 1 | | |
| MATERIAL NO. SEE TABLE | | | | |
| THIS DRAWING CONTAINS INFORMATION THAT IS PROPRIETARY TO MOLEX INCORPORATED AND SHOULD NOT BE USED WITHOUT WRITTEN PERMISSION | | | | |