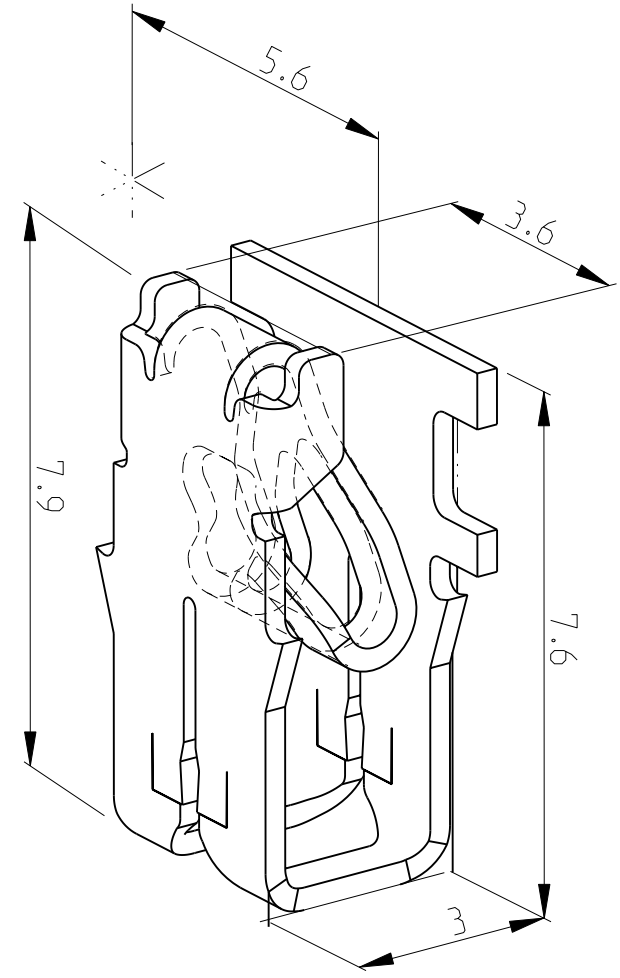
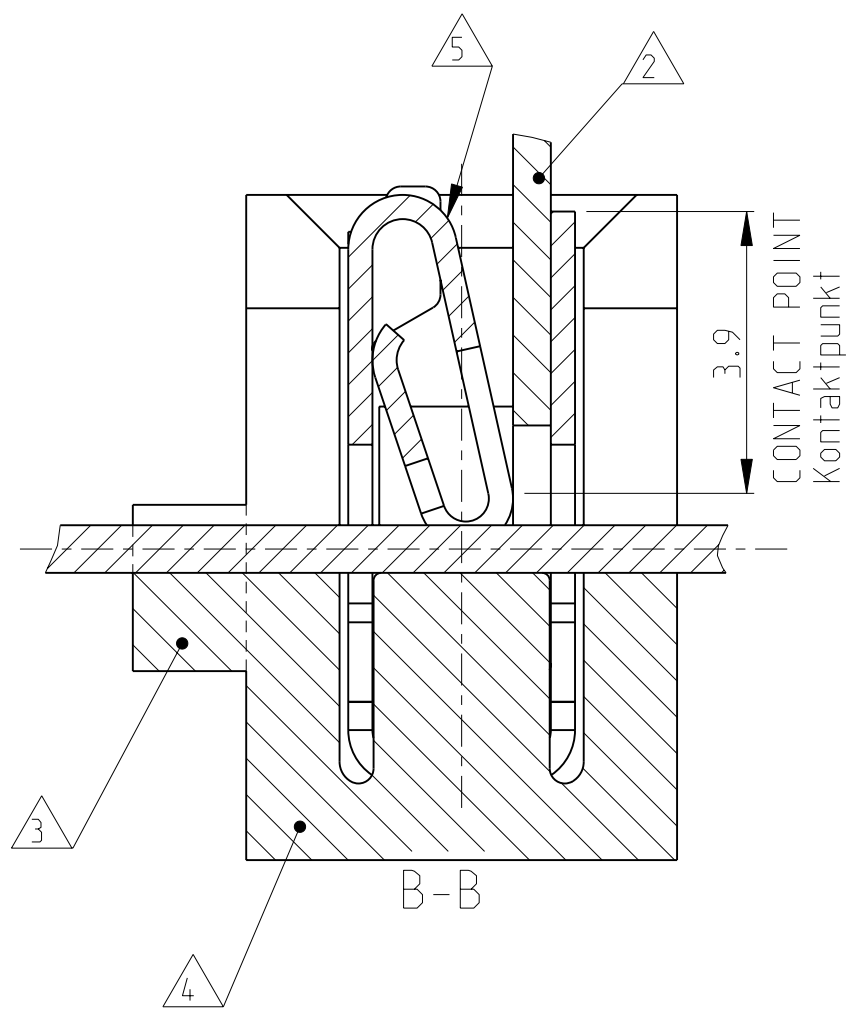


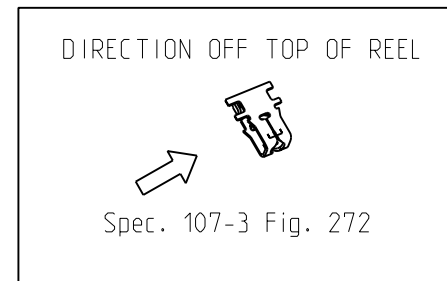
THIS DRAWING IS UNPUBLISHED  
 RELEASED FOR PUBLICATION 2008  
 ALL RIGHTS RESERVED.

LOC	DIST	REVISIONS				
P	LTR	DESCRIPTION	DATE	DWN	APVD	
A1	-	B1	DWG adapted/Note 4 changed	04-02-2009	DZ	TK
		B2	ECR-09-011231	19MAY2009	SRE	PCH
		B3	ECR-10-026537	18JUN2011	KK	HMR



- 1 SLOT ACCEPTS:  
 SINGLE OR DOUBLE MAGNET WIRE  
 SAME DIAMETERS (0.40)..0.425...0.63mmDIA  
 Kontakt geeignet für Lackdraht:  
 Lackdraht  $\varnothing$ (0.40)..0.425...0.63 mm  
 (Einzeldraht oder zwei Drähte gleichen Durchmessers)
- 2 POKE IN TAB TERMINAL 3.4x0.5mm  
 Poke in Flachstecker 3.4x0.5mm
- 3 AREA WILL BE CUT BY TERMINATION  
 Bereich wird beim Kontaktieren abgetrennt
- 4 CAVITY ACCORDING TO TE SPEC. 411-18512  
 Kontakt Kammer nach TE Spec. 411-18512
- 5 IDENTIFICATION NO. FOR MAGNET WIRE RANGE (10)  
 Kennziffer für Lackdrahtbereich (10)

	1740149-3	A	-	CuZn	PRE TINNED	MAG MATE LEAF TERMINAL	-
	1740149-2	B	-	CuNiSi	PRE TINNED	MAG MATE LEAF TERMINAL	-
OBSOLETE	<del>1740149-1</del>	B	-	CuNiSi	BLANK	MAG MATE LEAF TERMINAL	-
	PART NO	REV.	PCS.	MATERIAL	SURFACE COLOUR	DESCRIPTION	ITEM NO



THIS DRAWING IS A CONTROLLED DOCUMENT.		DWN H. Ballmert 06-02-04	TE Connectivity	
		CHK H. Ploesser 06-02-04		
DIMENSIONS: mm		TOLERANCES UNLESS OTHERWISE SPECIFIED:		NAME MAG MATE LEAF TERMINAL MARK II
		0 PLC $\pm$ 1 PLC $\pm$ 2 PLC $\pm$ 3 PLC $\pm$ 4 PLC $\pm$ ANGLES $\pm 1^\circ$		PRODUCT SPEC 108-2012 APPLICATION SPEC 114-2046
MATERIAL SEE TABLE		FINISH SEE TABLE		SIZE A3 CAGE CODE 00779 DRAWING NO C-1740149
		WEIGHT -		RESTRICTED TO -
CUSTOMER DRAWING			SCALE 10:1	SHEET 1 OF 1 REV B3