

THIS DRAWING IS UNPUBLISHED. VERTRÄULICHE UNVERÖFFENTLICHTE ZEICHNUNG. RELEASED FOR PUBLICATION FREI FUER VERÖFFENTLICHUNG. 2014. MATED WITH: PASSEND ZU: ALL RIGHTS RESERVED. ALLE RECHTE VORBEHALTEN.

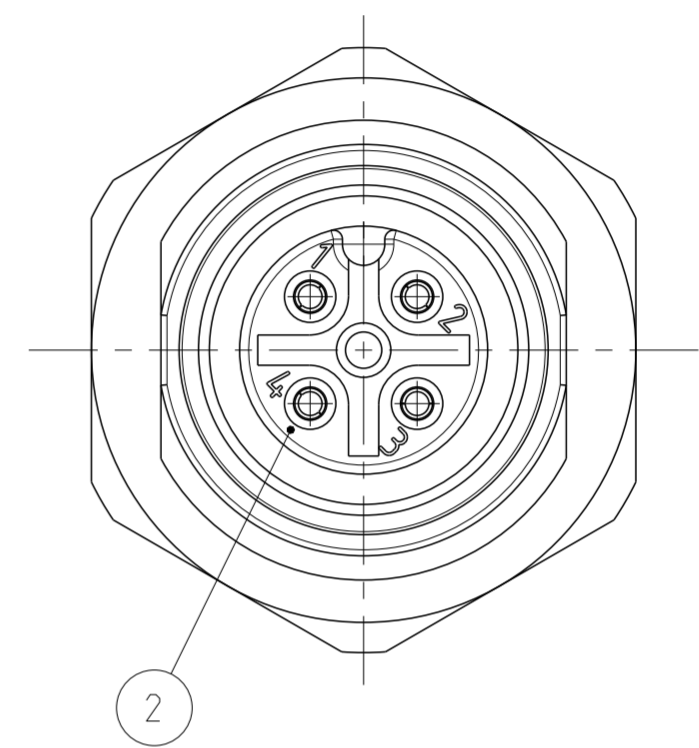
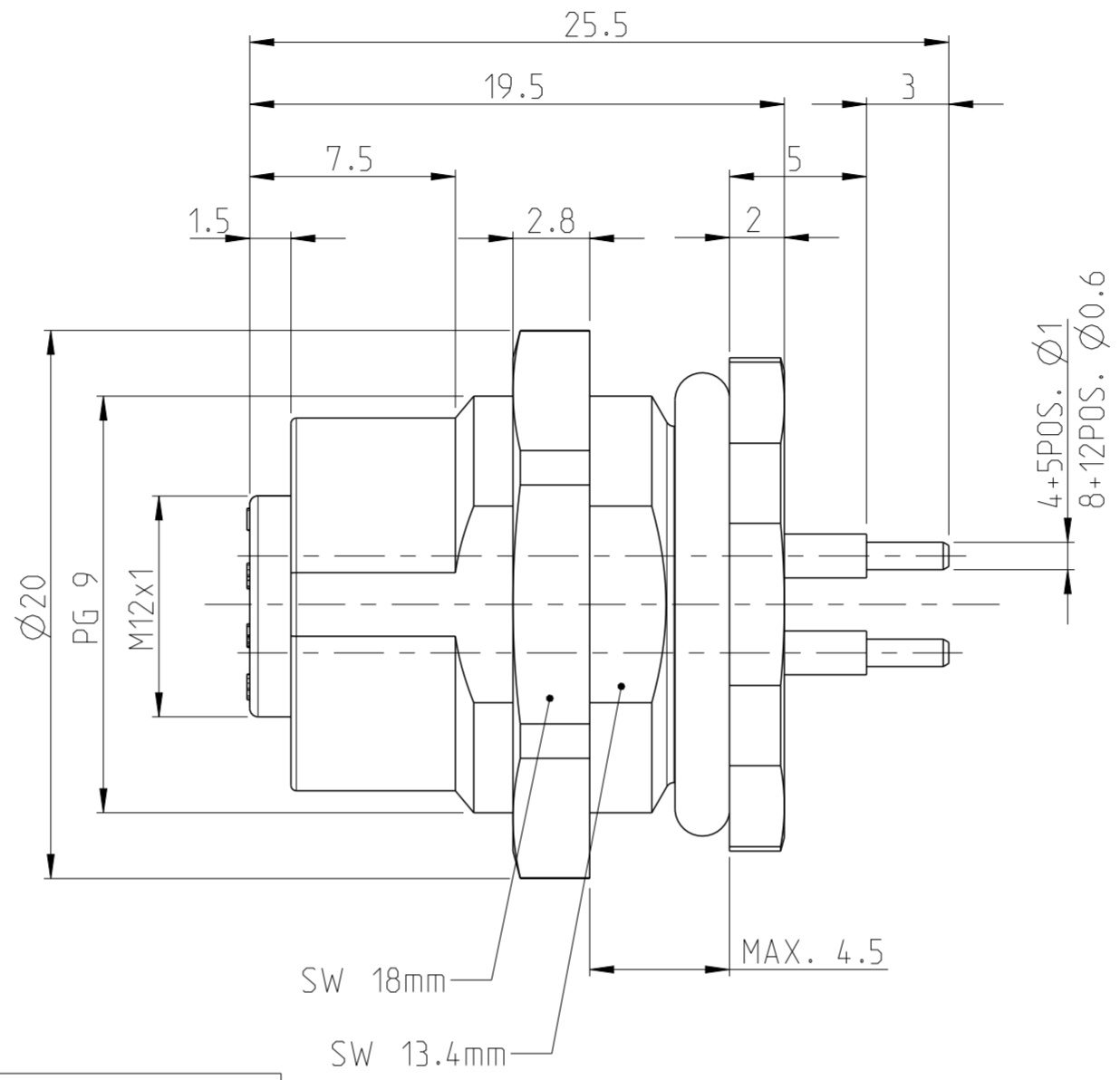
PROJEKT NR.: PRJ-14-00000805

P	LTR	DESCRIPTION / BESCHREIBUNG	DATE	DWN	APVD
	A2	ADDED PCB LAYOUT IN DRAWING	20AUG2014	YR	MB

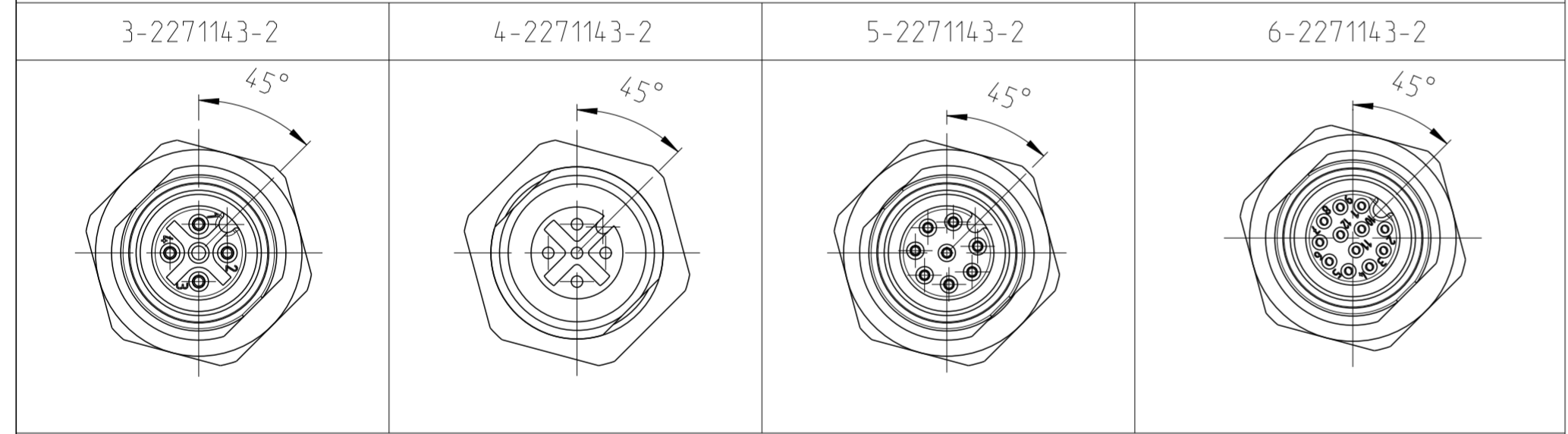
MATERIAL: ITEM NO. 1: HOUSING - ZINC DIECASTING, NICKEL PLATED
 ITEM NO. 2: CONTACT BODY - PA
 ITEM NO. 3: CONTACT - CuZn (BRONZE)
 CONTACT FINISH - Au (gold)

2 ALL DIMENSIONS ARE FOR NOMINAL REFERENCE ONLY UNLESS OTHERWISE STATED
 3 PACKAGING: 20 PIECE IN A BAG

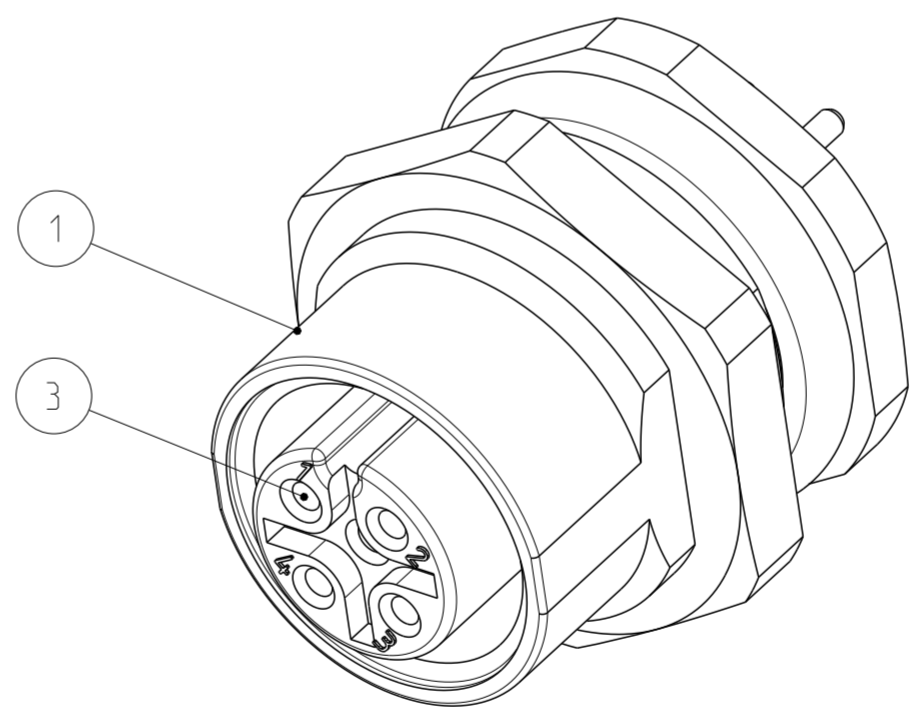
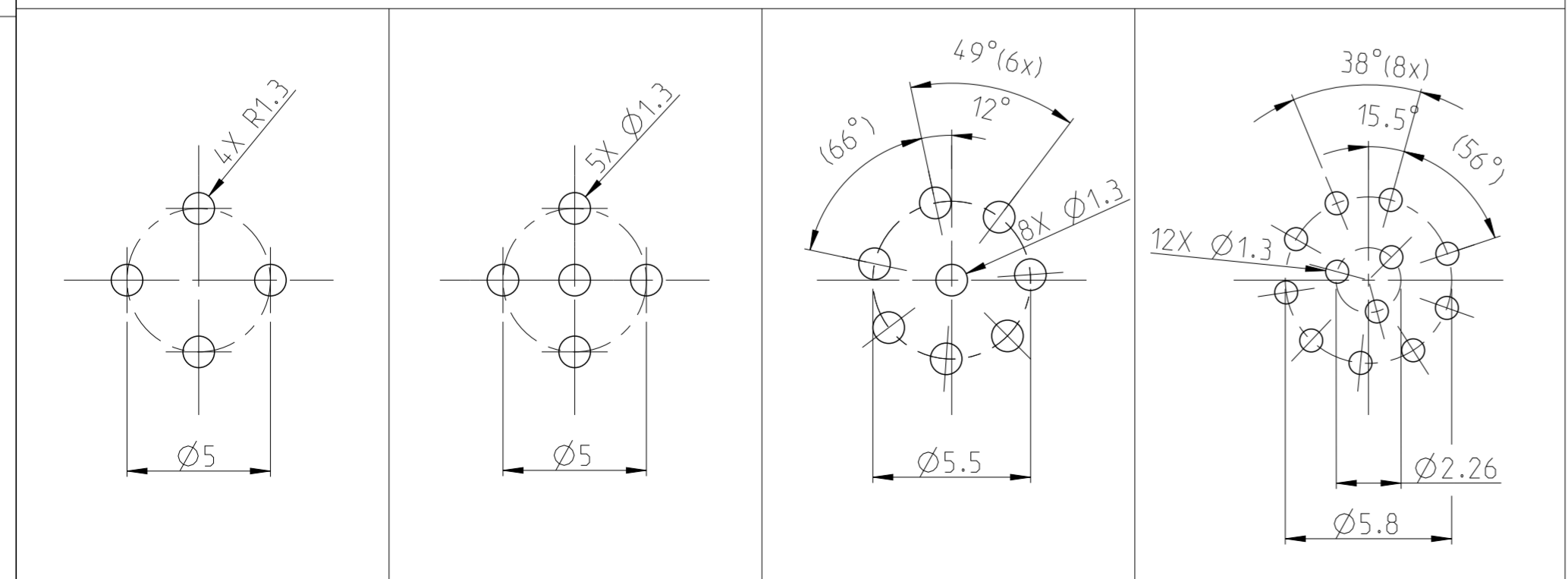
TECHNICAL DATA	3-2271143-2	4-2271143-2	5-2271143-2	6-2271143-2
RATED VOLTAGE	250V	125V	60V	30V
RATED IMPULSE VOLTAGE	2500V	1500V	800V	500V
POLLUTION DEGREE	3	3	3	3
OVERVOLTAGE CATEGORY	II	II	II	II
MATERIAL GROUP	II	II	II	II
RATED CURRENT	4A	4A	2A	2A
VOLUME RESISTIVITY	≤ 3mΩ	≤ 3mΩ	≤ 3mΩ	≤ 3mΩ
DEGREE OF PROTECTION	IP68	IP68	IP68	IP68
UPPER TEMPERATURE	+85 °C	+85 °C	+85 °C	+85 °C
LOWER TEMPERATURE	-40 °C	-40 °C	-40 °C	-40 °C



PIN ARRANGEMENT
A-CODING (SCALE 2:1)



PCB LAYOUT



SIZE ISO 14405 (E)

3-2 AS SHOWN WIE GEZEICHNET

24 / 0.25mm ²	⚠	12	6-2271143-2
24 / 0.25mm ²	⚠	8	5-2271143-2
24 / 0.25mm ²	⚠	5	4-2271143-2
24 / 0.25mm ²	⚠	4	3-2271143-2
WIRES AWG / mm ²	MATERIAL	NUMBER OF POLES	TE-PART-NO.

DIESE ZEICHNUNG IST EIN KONTROLLIERTES DOKUMENT. BEMASSUNGEN UND TOLERANZEN GEMAESS GPS (ISO STANDARDS).		DWN YASHKUMAR 15MAY2014	
THIS DRAWING IS A CONTROLLED DOCUMENT. DIMENSIONING AND TOLERANCING PER GPS (ISO STANDARDS).		CHK M. STRELOW 15MAY2014	
DIMENSIONS: MASSEINHEITEN: (MM)		APVD C. SCHRETLINGER 15MAY2014	
TOLERANCES UNLESS OTHERWISE SPECIFIED: ALLGEMEINTOLERANZEN		NAME M12 RECEPTACLE, FEMALE, PCB MOUNT, PANEL REAR, STRAIGHT, A-CODED	
0 PLC ±	1 PLC ±	PRODUCT SPEC 108-19483	SIZE A2
2 PLC ±	3 PLC ±	APPLICATION SPEC 114-32127	CAGE CODE 00779
4 PLC ±	ANGLES/WINKEL ±	WEIGHT -	DRAWING NO. C-2271143
MATERIAL SEE NOTES	FINISH/OBERFLAECHE/FARBE SEE NOTES	Customer Drawing	RESTRICTED TO NUR FUER -
		SCALE MASSSTAB 4:1	SHEET BLATT 1 OF VON 1
		REVISION A2	

