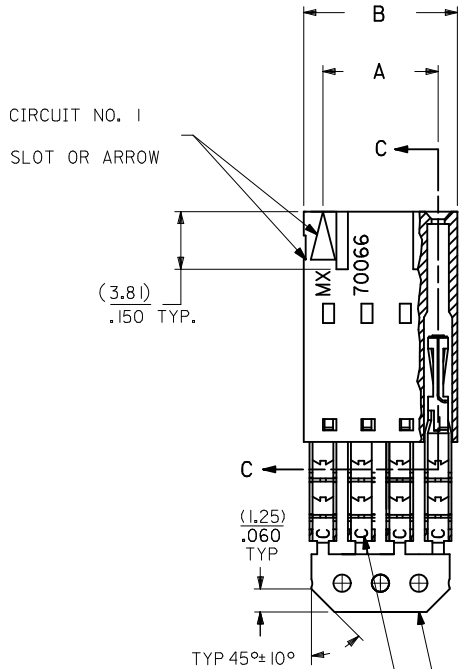
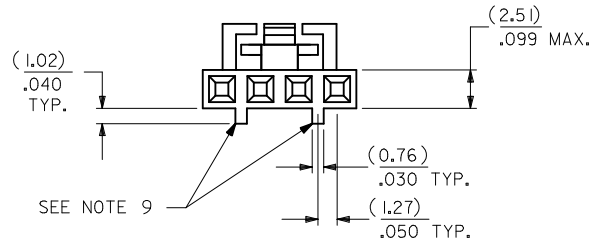
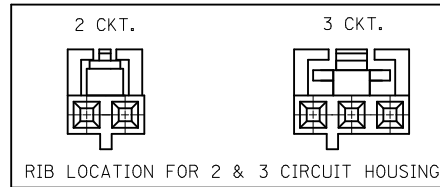
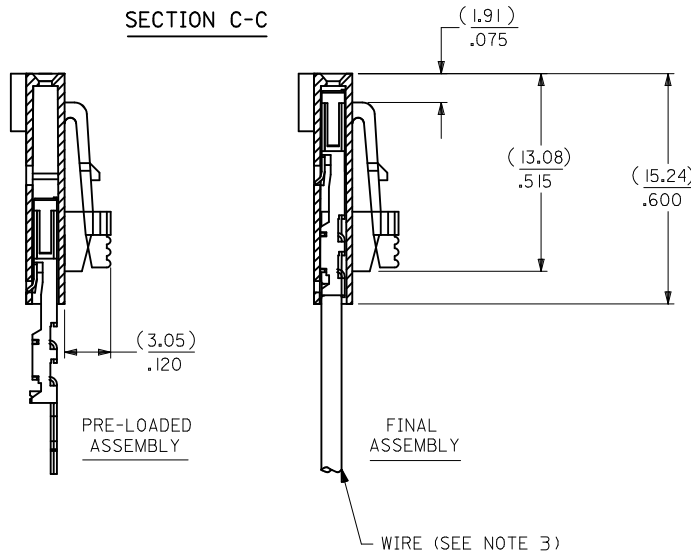


OPTION G

- NOTES:
- MATERIAL:
HOUSING: POLYESTER(PBT), GLASS FILLED, UL94 V-0;
COLOR: BLACK
TERMINAL: PHOSPHOR BRONZE
 - FINISH:
15 GOLD: 0.38 MICROMETERS/15 MICROINCHES MINIMUM GOLD IN
191 MICROMETERS/75 MICROINCHES MINIMUM TIN
OVER NICKEL UNDERPLATE OVERALL
 - TO BE USED WITH 28 AWG STRANDED WIRE WITH (1.35)/.053
DIAMETER MAXIMUM INSULATION
 - SEE TABLE FOR AVAILABLE CIRCUIT SIZES
 - STANDARD PACKAGING PER PK-70873-0001. OPTIONAL PACKAGING
MAY BE AVAILABLE. REQUEST DRAWING PK-70400
 - PARTS STACKABLE END TO END ON (2.54)/.100 CENTERS
 - PRODUCT SPECIFICATION: PS-70400
 - SEE DRAWING SDA-70400-**** (SHEET 3) FOR OPTIONAL
HOUSING DETAILS
 - 4 CIRCUIT SHOWN. 3-25 CIRCUITS HAVE 2 RIBS
 - TO MATE WITH MOLEX PART NUMBERS: A-70373-****,
A-70375-****, A-70389-****, A-70391-****,
A-70107-****, A-70018-****, A-70543-****,
A-70553-****, A-70541-****, A-70551-****,
A-70545-****, A-70555-****
 - 2 CIRCUIT ASSEMBLIES SUPPLIED AS GROUPED PAIRS



SECTION C-C



CKT. SIZE	A	B	EDP. NO.
2	(2.54) .100	(5.05) .199	14-56-2026
3	(5.08) .200	(7.59) .299	14-56-2036
4	(7.62) .300	(10.13) .399	14-56-2046
5	(10.16) .400	(12.67) .499	14-56-2056
6	(12.70) .500	(15.21) .599	14-56-2066
7	(15.24) .600	(17.75) .699	14-56-2076
8	(17.78) .700	(20.29) .799	14-56-2086
9	(20.32) .800	(22.83) .899	14-56-2096
10	(22.86) .900	(25.37) .999	14-56-2106
11	(25.54) 1.000	(27.91) 1.099	14-56-2116
12	(27.94) 1.100	(30.45) 1.199	14-56-2126
13	(30.48) 1.200	(32.99) 1.299	14-56-2136
14	(33.02) 1.300	(35.53) 1.399	14-56-2146
15	(35.56) 1.400	(38.07) 1.499	14-56-2156
16	(38.01) 1.500	(40.61) 1.599	14-56-2166
17	(40.64) 1.600	(43.15) 1.699	14-56-2176
18	(43.18) 1.700	(45.69) 1.799	14-56-2186
19	(45.72) 1.800	(48.23) 1.899	14-56-2196
20	(48.26) 1.900	(50.77) 1.999	14-56-2206
21	(50.80) 2.000	(53.31) 2.099	14-56-2216
22	(53.34) 2.100	(55.85) 2.199	14-56-2226
23	(55.88) 2.200	(58.39) 2.299	14-56-2236
24	(58.42) 2.300	(60.93) 2.399	14-56-2246
25	(60.96) 2.400	(63.47) 2.499	14-56-2256

I.D. SLOT CODE TO WIRE GAUGE CHART	
I.D. SLOT CODE	WIRE GAUGE
C	28 AWG.

PLATING CODE (STRIPE ON CARRIER STRIP)	
PLATING	COLOR
15 GOLD	YELLOW

REMOVE ENG NO. EC NO: UCP2011-110 DRWINMSI BARRA 2010/10/19 CHKD:JORGAN 2010/10/19 APPR:SMILLER 2010/11/24	QUALITY SYMBOLS ▽=0 ▽=0 ▽=0	GENERAL TOLERANCES (UNLESS SPECIFIED)	DIMENSION STYLE MM/IN	SCALE	DESIGN UNITS INCH	THIRD ANGLE PROJECTION
		4 PLACES ± --- ± --- 3 PLACES ± --- ± .010 2 PLACES ± 0.25 ± .014 1 PLACE ± 0.35 ± --- ANGULAR ± 1/2°	DRAWN BY MSI BARRA DATE 2010/10/19 CHECKED BY WAZ DATE 1984/10/10 APPROVED BY SMILLER DATE 2010/11/24	TITLE ASSEMBLY, SL CONNECTOR SINGLE ROW 2.54/.100 GRID	MATERIAL NO. SEE TABLE	
DRAFT WHERE APPLICABLE MUST REMAIN WITHIN DIMENSIONS		THIS DRAWING CONTAINS INFORMATION THAT IS PROPRIETARY TO MOLEX INCORPORATED AND SHOULD NOT BE USED WITHOUT WRITTEN PERMISSION				