

Customer Information Sheet

DRAWING No.: M55-610XX42R

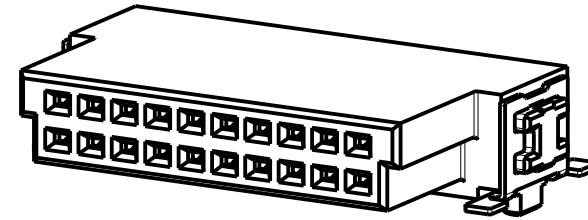
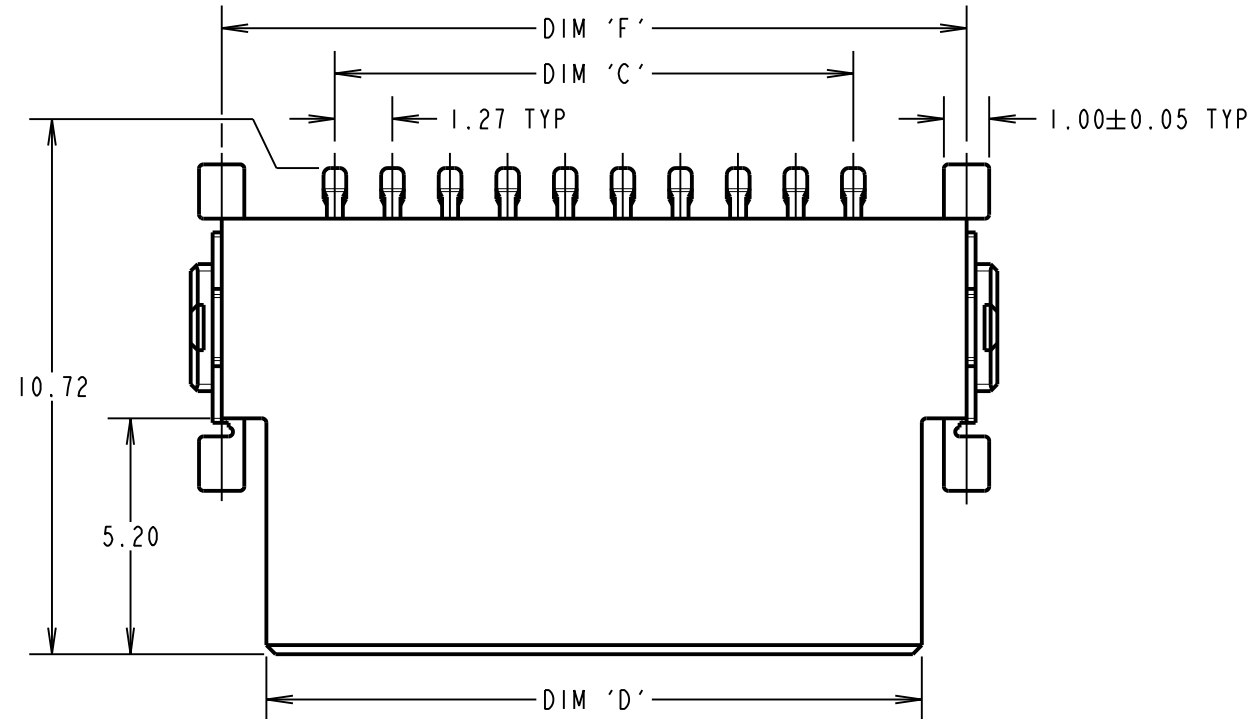
IF IN DOUBT - ASK

©

NOT TO SCALE

THIRD ANGLE PROJECTION

ALL DIMENSIONS IN mm

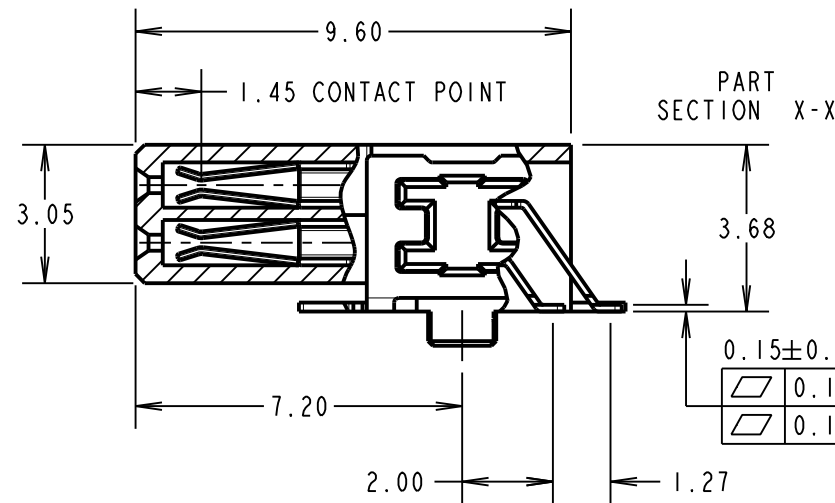
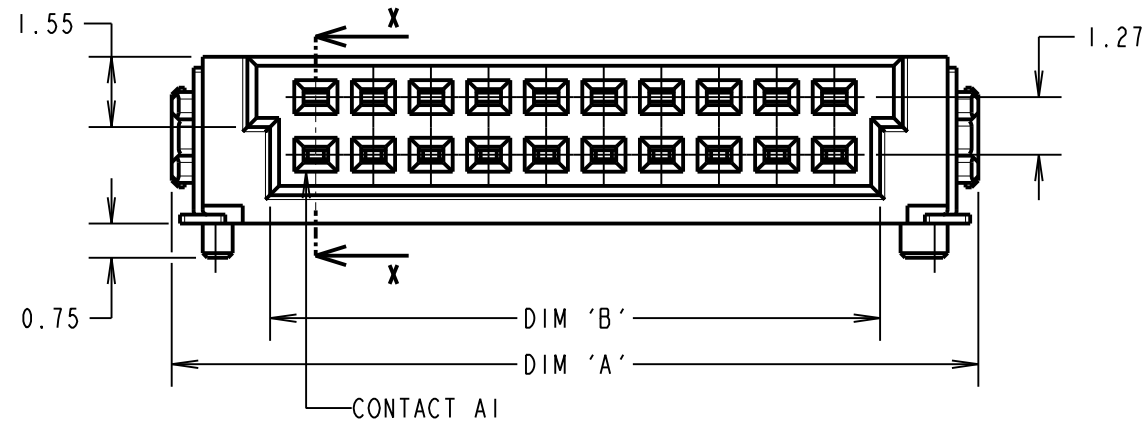


PART No.	DIM 'A'	DIM 'B'	DIM 'C'	DIM 'D'	DIM 'E'	DIM 'F'
M55-6101242R	12.70	8.37	6.35	9.37	10.77	11.34
M55-6101642R	15.24	10.91	8.89	11.91	13.31	13.88
M55-6102042R	17.78	13.45	11.43	14.45	15.85	16.42
M55-6102642R	21.59	17.26	15.24	18.26	19.66	20.23
M55-6103242R	25.40	21.07	19.05	22.07	23.47	24.04
M55-6104042R	30.48	26.15	24.13	27.15	28.55	29.12
M55-6105042R	36.83	32.50	30.48	33.50	34.90	35.47
M55-6106842R	48.26	43.93	41.91	44.93	46.33	46.90
M55-6108042R	55.88	51.55	49.53	52.55	53.95	54.52

ORDER CODE:

M55-610XX42R

TOTAL No. OF CONTACTS:
 12, 16, 20, 26,
 32, 40, 50, 68, 80



0.10	12 - 50 CONTACTS
0.15	68 - 80 CONTACTS

SPECIFICATIONS:

MATERIAL:
 MOULDING = HIGH TEMP, LCP, UL94V-0
 CONTACT = PHOSPHOR BRONZE
 RETAINING STRAP = BRASS
PLATING:
 CONTACT = 0.025µm MIN GOLD OVER
 2.03µm MIN NICKEL ON CONTACT AREA,
 2.54µm MIN TIN OVER
 1.27µm MIN NICKEL ON TAILS
 RETAINING STRAP = 2.45µm MIN TIN OVER
 1.01µm MIN NICKEL

ELECTRICAL:

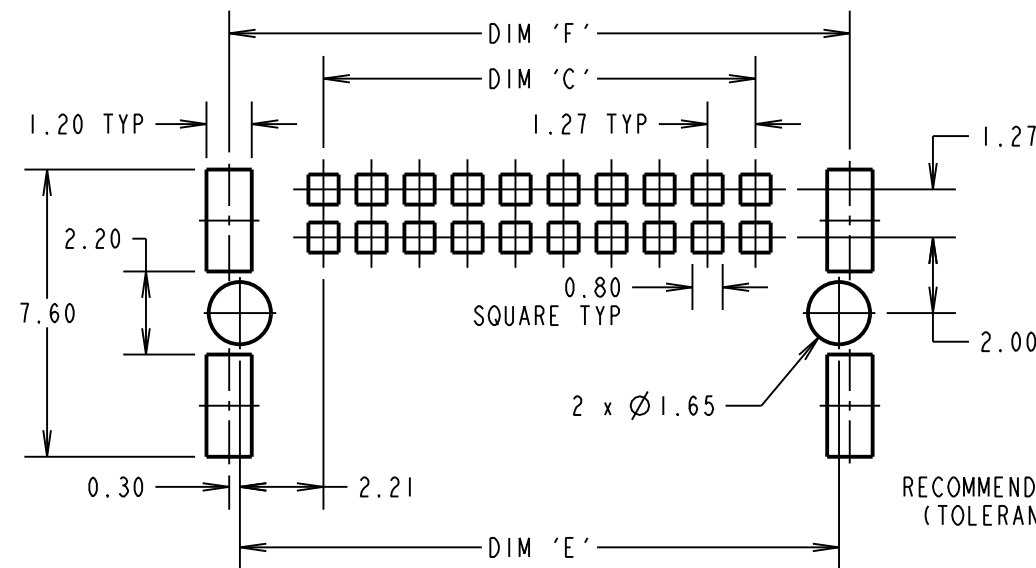
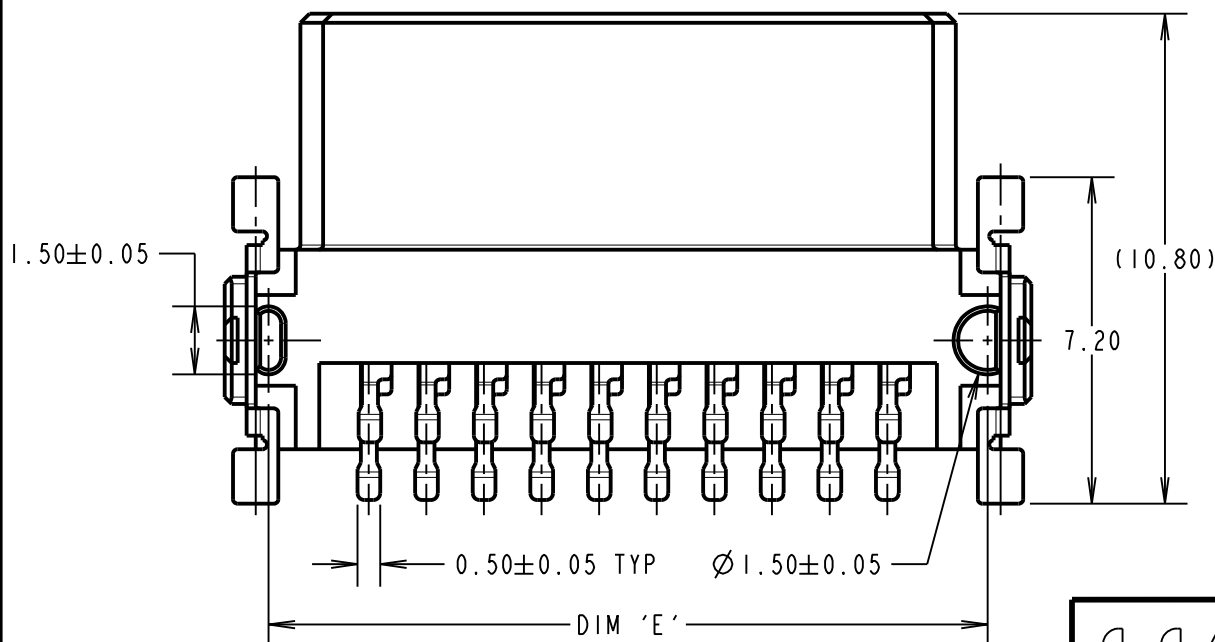
CURRENT RATING = 1.2A MAX
 CONTACT RESISTANCE = 25mΩ MAX
 INSULATION RESISTANCE = 10GΩ MIN
 VOLTAGE RATING = 100V AC
 VOLTAGE PROOF = 500V AC FOR 1 MIN

MECHANICAL:

INSERTION FORCE = 0.8N MAX PER CONTACT
 WITHDRAWAL FORCE = 0.2N MIN PER CONTACT
 DURABILITY = 500 CYCLES

ENVIRONMENTAL:

TEMPERATURE RANGE = -55°C TO +125°C



NOTES:
 1. FOR TAPE AND REEL DETAILS, SEE SHEET 4.
 2. ALL TOLERANCES ARE ±0.20, UNLESS OTHERWISE STATED.

HARWIN

www.harwin.com
 technical@harwin.com

THIS DRAWING AND ANY INFORMATION OR DESCRIPTIVE MATTER SET OUT HEREON ARE CONFIDENTIAL AND COPYRIGHT PROPERTY OF THE HARWIN GROUP AND MUST NOT BE DISCLOSED, LOANED, COPIED OR USED FOR MANUFACTURING, TENDERING OR FOR ANY OTHER PURPOSE WITHOUT THEIR WRITTEN PERMISSION.

TOLERANCES
 X = ±1mm
 X.X = ±0.50mm
 X.XX = ±0.10mm
 X.XXX = ±0.01mm
 ANGLES = ±5°
 UNLESS STATED

MATERIAL:

SEE ABOVE

FINISH:

SEE ABOVE

S/AREA:

mm²

TITLE:

1.27mm PITCH HORIZONTAL FEMALE CONNECTOR

DRAWING NUMBER:

M55-610XX42R

FM	5	25.04.18	21181
NAME	ISS.	DATE	C/NOTE
APPROVED:		F.MCGOWAN	
CHECKED:		S.BENNETT	
DRAWN:		M.PERREN	
CUSTOMER REF.:			
ASSEMBLY DRG:			

SHT 3 OF 4

Customer Information Sheet

DRAWING No.: M55-610XX42R

IF IN DOUBT - ASK

©

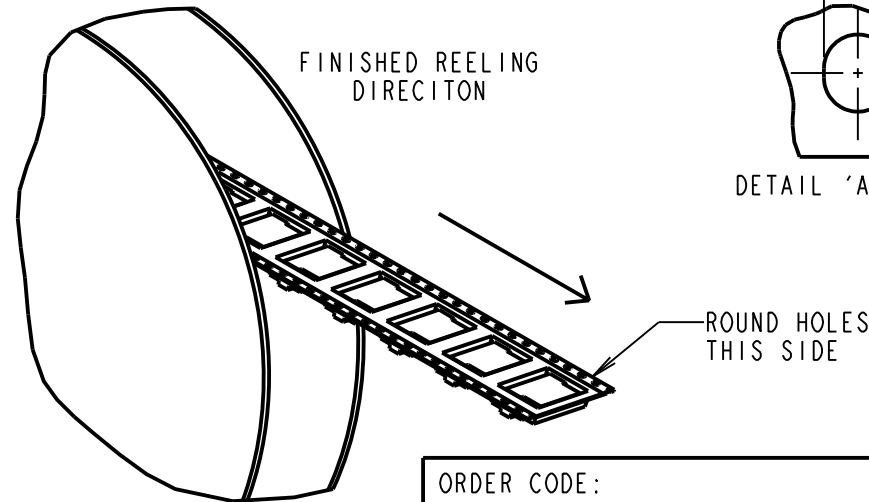
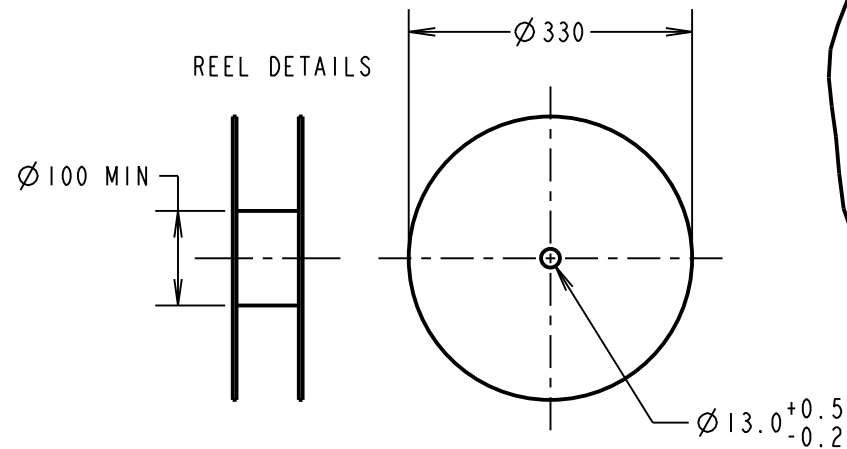
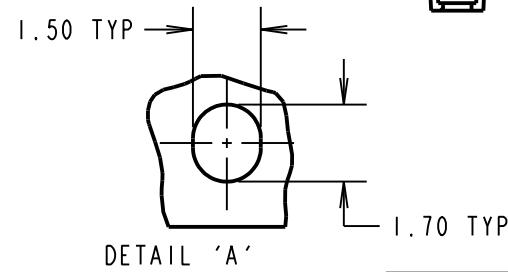
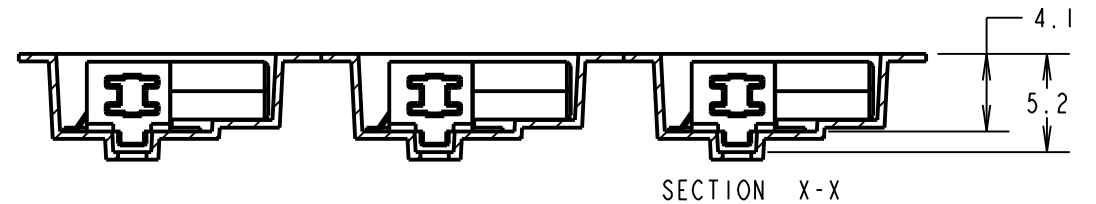
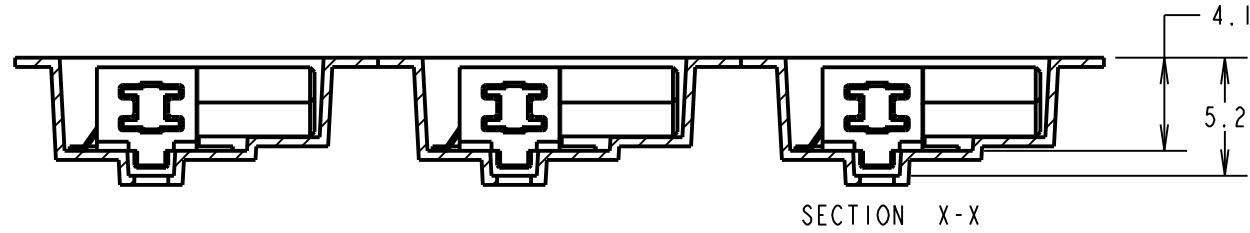
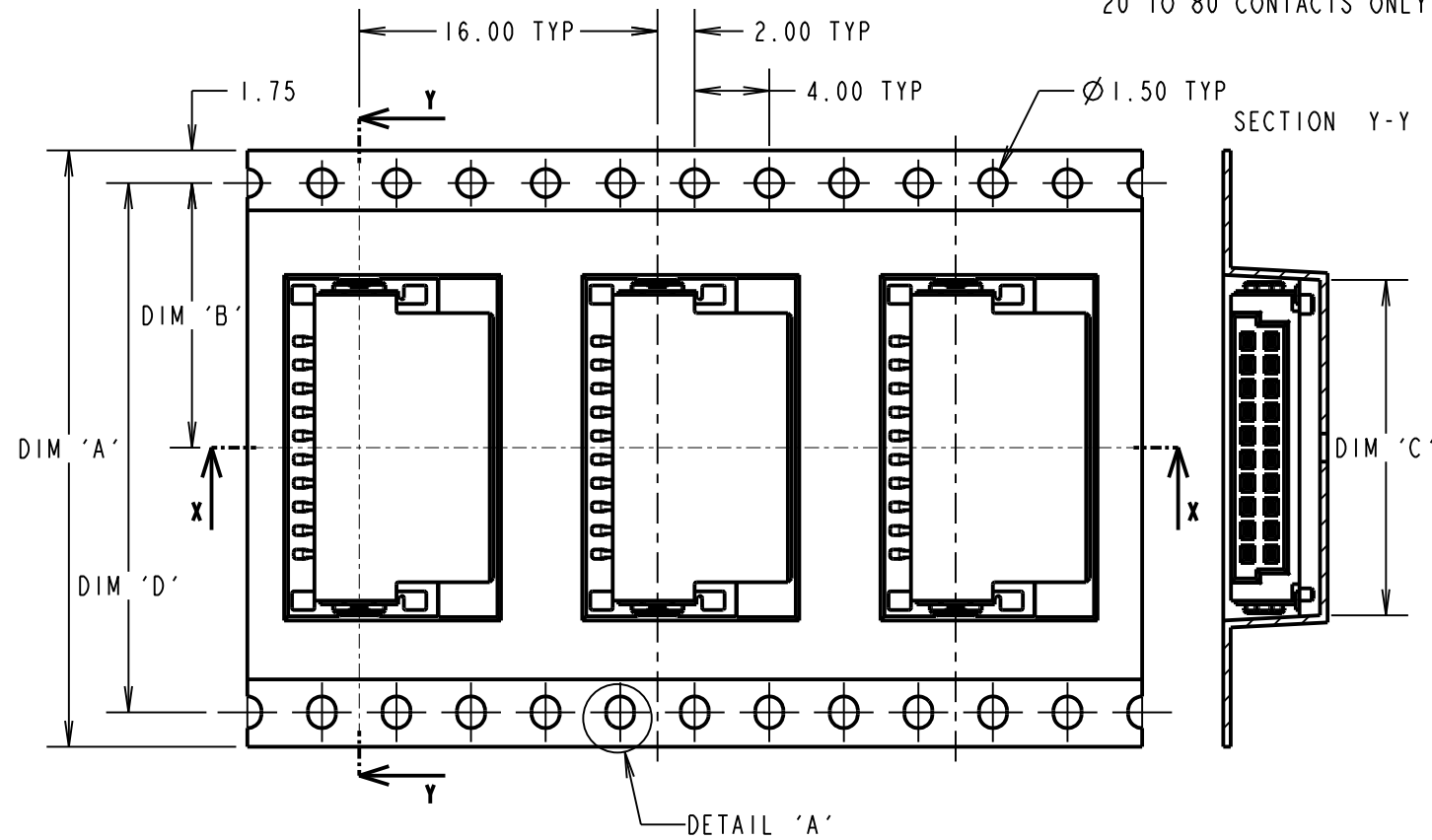
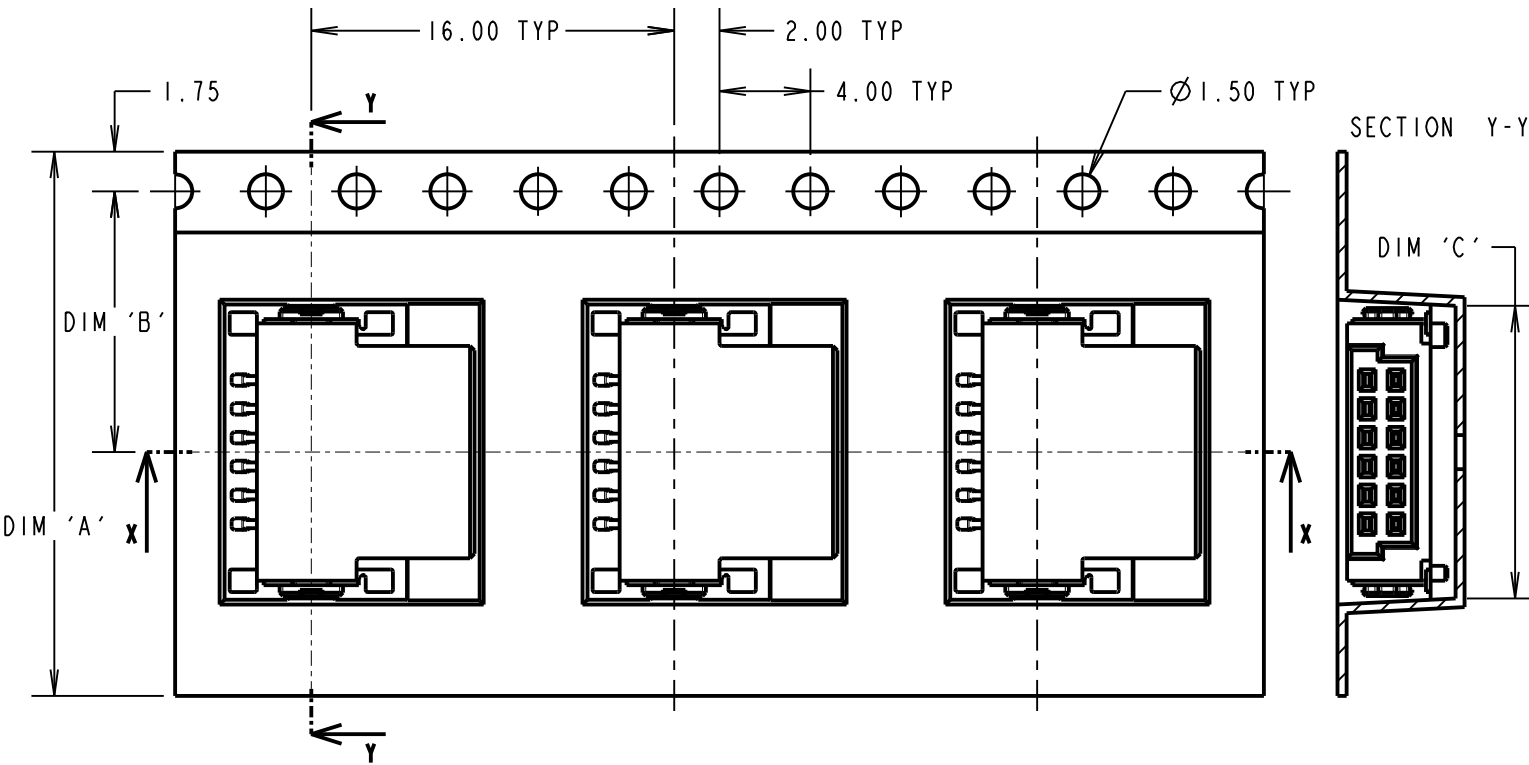
NOT TO SCALE

THIRD ANGLE PROJECTION

ALL DIMENSIONS IN mm

TAPE DETAILS FOR
12 & 16 CONTACTS ONLY

TAPE DETAILS FOR
20 TO 80 CONTACTS ONLY



ORDER CODE:
M55-610XX42R
TOTAL No. OF CONTACTS:
12, 16, 20, 26,
32, 40, 50, 68, 80

PART No.	DIMENSION				PACK QTY
	DIM 'A' ±0.30	DIM 'B'	DIM 'C' ±0.15	DIM 'D'	
M55-6101242R	24.00	11.50	12.90	N/A	700
M55-6101642R	32.00	14.20	18.00	28.40	
M55-6102642R	44.00	20.20	21.79	40.40	
M55-6103242R	56.00	26.20	37.03	52.40	
M55-6105042R	72.00	34.20	48.46	68.40	
M55-6106842R			56.08		
M55-6108042R					

FM	5	25.04.18	21181
NAME	ISS.	DATE	C/NOTE
APPROVED:		F. MCGOWAN	
CHECKED:		S. BENNETT	
DRAWN:		M. PERREN	
CUSTOMER REF.:			
ASSEMBLY DRG:			

- NOTES:
1. PRODUCT IS TAPE AND REELED IN GENERAL ACCORDANCE WITH EIA-481 (ELECTRICAL INDUSTRIES ASSOCIATION).
2. FOR CONNECTOR DETAILS AND SPECIFICATIONS, SEE SHEET 3.

HARWIN

www.harwin.com
technical@harwin.com

THIS DRAWING AND ANY INFORMATION OR DESCRIPTIVE MATTER SET OUT HEREON ARE CONFIDENTIAL AND COPYRIGHT PROPERTY OF THE HARWIN GROUP AND MUST NOT BE DISCLOSED, LOANED, COPIED OR USED FOR MANUFACTURING, TENDERING OR FOR ANY OTHER PURPOSE WITHOUT THEIR WRITTEN PERMISSION.

TOLERANCES
X. = ±1mm
X.X = ±0.50mm
X.XX = ±0.10mm
X.XXX = ±0.01mm
ANGLES = ±5°
UNLESS STATED

MATERIAL:

SEE SHEET 3

FINISH: SEE SHEET 3

S/AREA:

mm²

TITLE:

1.27mm PITCH HORIZONTAL FEMALE CONNECTOR

DRAWING NUMBER:

M55-610XX42R

SHT 4 OF 4