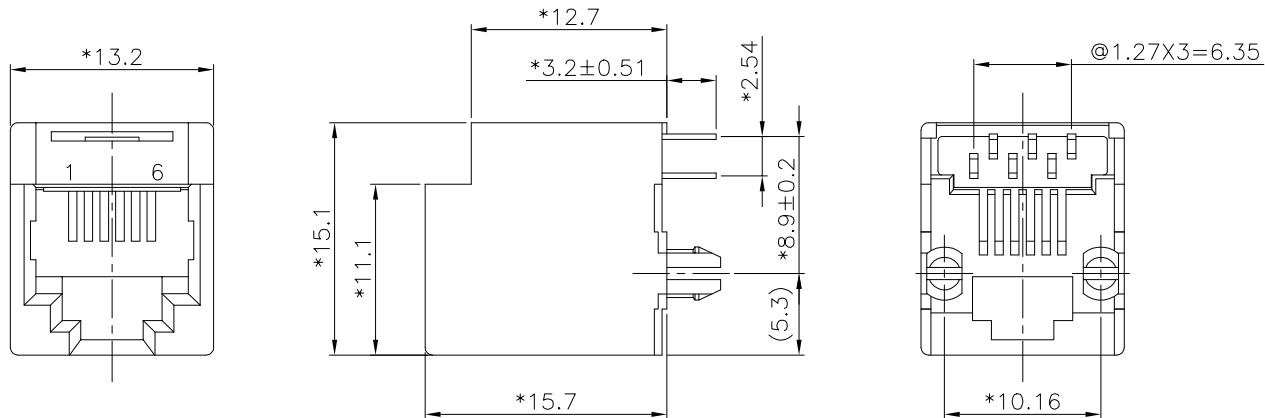


REVISION RECORD				
REV	ECO	DESCRIPTION	DRFT	CHKD



NOTES:

ELECTRICAL:

1. VOLTAGE RATING: 125 VAC RMS .
2. CURRENT RATING: 1.5 AMP .
3. CONTACT RESISTANCE: 30 MILLIOHMS MAX.
4. INSULATION RESISTANCE: 1000 MEGOHMS MIN @ 500 VDC.
5. DIELECTRIC STRENGTH: 1000 VAC RMS 60Hz, 1MIN.

MECHANICAL:

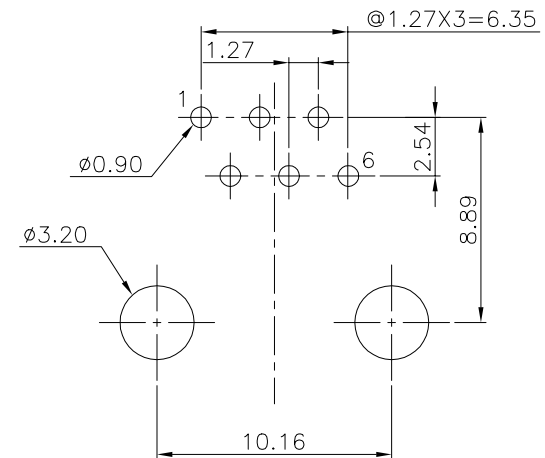
1. HOUSING MATERIAL: GLASS FILLED POLYESTER UL 94V-0
2. CONTACT MATERIAL: PHOSPHOR BRONZE. t=0.35mm
3. PLATING: GOLD PLATING OVER NICKEL.
4. OPERATING LIFE: 750 CYCLES MIN.
5. PCB RETENTION PRE-SOLDER: 1 LB MIN.
6. PCB RETENTION POST-SOLDER: 10 LBS MIN.

ENVIRONMENTAL:

1. STORAGE: -40°C TO +85°C.
2. OPERATION: -40°C TO +85°C.
3. WAVE SOLDERING TEMPERATURE: 230°C TO 250°C (3-5SECOND).

PART NUMBER: E526X-70004X-L

2- 2CONTACTS 1- 3u" 2- 6u" 3-15u"
 4- 4CONTACTS 4-30u" 5-50u"
 6- 6CONTACTS



RECOMMENDED HOLE PATTERN
(COMPONENT SIDE VIEW)

DETACHED LISTS	MM (INCH)		DFTO SAMMYWEN	DATE 05/27/05	FULL RISE ELECTRONIC CO., LTD	
	TOLERANCES EXCEPT AS NOTED		CHKD ANKUE	DATE 2005/5/28		
	MM	±	MFO	DATE	TITLE TOP ENTRY PCB JACK (DIP TYPE)	
	.0 ±0.20	±	APPVLLUSHENG	DATE 2005/5/28		
.00 ±0.15	±	MATERIAL :		DRAWING NO. GE523030-LC		
.000 ±0.075	±	ANGLES ±		/PART NO. SEE NOTE		
THIRD ANGLE PROJECTION		FINISH :		SCALE :	SIZE A3	REV 0
DO NOT SCALE DRAWING				SHEET X OF Y		