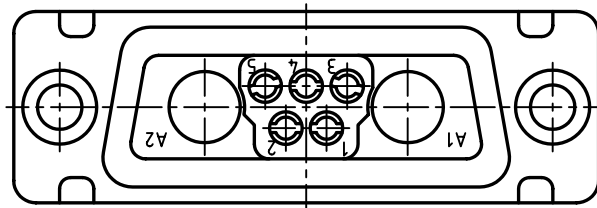
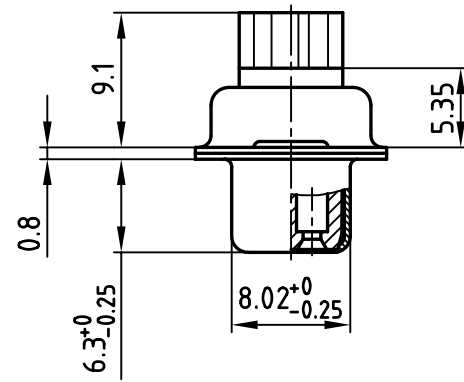
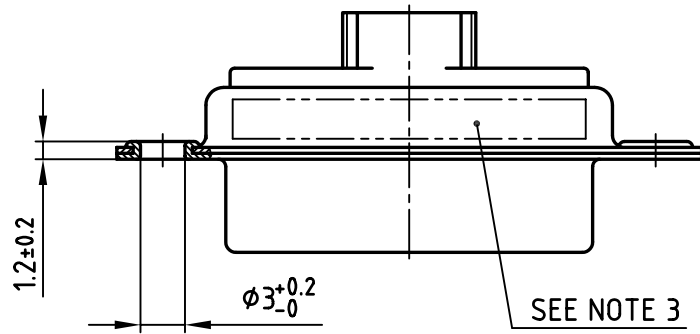
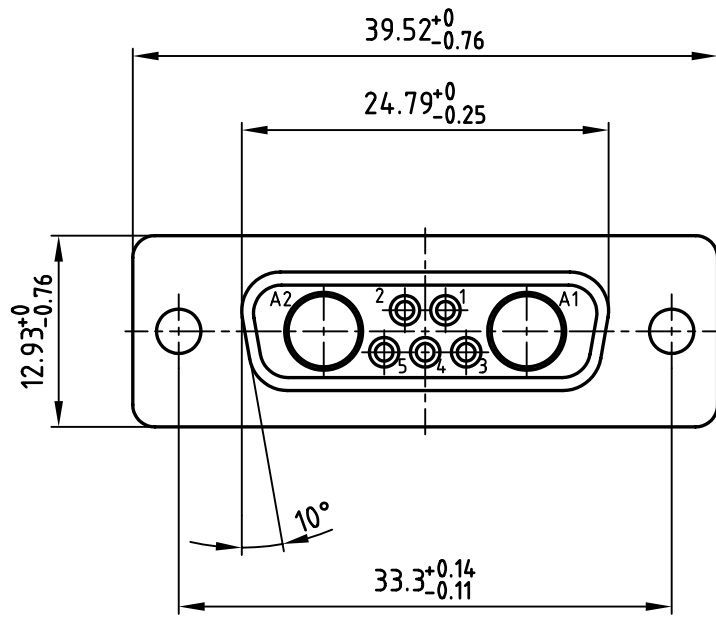


used for: D-SUB COMBINATION CRIMP



PART NO.
3007W2SXK99A10X
CFL7W2S7-K121

Directive 2002/95/EC
„RoHS“
Compliant

NOTES:

- METALSHELLS: STEEL; min. 320µin TIN
- INSULATORS: PBT GF UL 94 V-0, BLACK
- CONNECTOR IS PART MARKED: PART NO. CONEC ABC

APPROVAL # FREIGABE # DEBLOCAGE # AUTORIZACION # APPROVAL	
CUSTOMER APPROVAL DATE:	
NAME:	TITLE:
COMPANY NAME:	
APPROVAL # FREIGABE # DEBLOCAGE # AUTORIZACION # APPROVAL	

THIS DRAWING MAY NOT BE COPIED OR REPRODUCED IN ANY WAY, AND MAY NOT BE PASSED ON TO A THIRD PARTY WITHOUT WRITTEN PERMISSION. OWNERSHIP AND COPYRIGHT OF CONEC GmbH		
DO NOT ALTER CAD DRAWING BY HAND		
rev.	description	date name

tolerance		dim. in mm
2001	date	
drawn	31.10.	Parei
appd.	31.10.	Mickenbecker
norm		
d-old		

scale:	2:1	
material:	SEE NOTES	
title: D-SUB COMBINATION FEMALE CRIMP STYLE 7W2S		
dwg no:	AutoCAD 2000	DIN-A
	13K1A386A	3
		sh:1/1
part no:	SEE TABLE	

