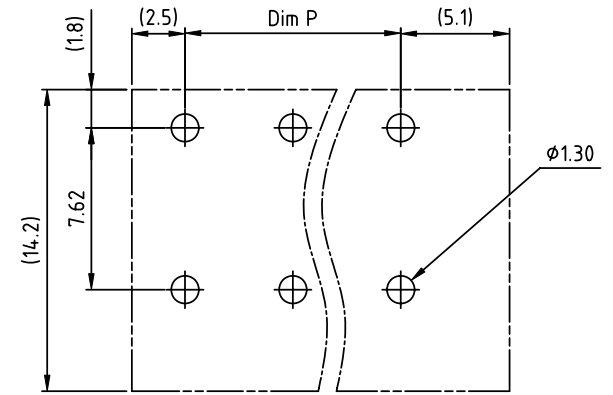
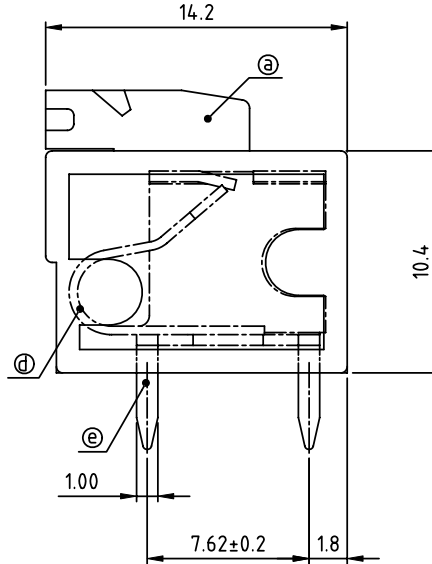
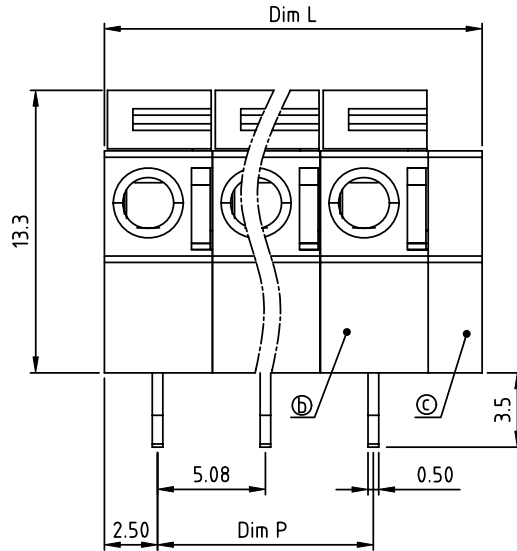


PRODUCT NUMBER	PITCH
HAxx01x000JOG	5.08 mm



RECOMMENDED P.C.B LAYOUT
TOP VIEW

Material:

- Item ① Lever: Thermoplastic (UL94V-0) Orange RAL2011/P
- Item ② Terminal body: Thermoplastic (UL94V-0)
- Item ③ cover: Thermoplastic (UL94V-0)
- Item ④ Spring clamp: Stainless steel
- Item ⑤ Pin: Brass. Tin plated

Electrical cULus/VDE

- Voltage rating: 300VAC/250VAC
- Current rating: 10A/10A
- Wire range: 0.75-1.5mm²
- Solid wire(AWG): 14-24
- Stranded wire(AWG): 14-24
- Wire strip length: 9-10mm
- Withstanding Voltage: 1.6KV/2KV
- Operating temperature: -40°C to +115°C
- Soldering temperature: 260°C±5°C/5 Sec
- Safety Approval:

PART NO.: HA xx 01 x 0 00J0 G

N=Number of poles
Dim L=(N×5.08)+2.54
Dim P=(N-1)×5.08

Poles	Tolerance
2-6p	±0.20
7-12p	±0.25
13-24p	±0.40

End stackable	No. of poles	Color	RoHS compliant
0	2	Black (RAL9005)	(lead<4%) In copper Alloy
02	2 poles	Red (RAL3001/D)	
03	3 poles	Orange(RAL2011/P)	
...	...	Yellow(RAL1018/A)	
...	...	Green(RAL6018/T)	
24	24 poles	Blue (RAL5015/A)	
		8 Grey(RAL7004/P)	
		9 White(RAL1102)	
		C Multiple colors	

mat'l. code		surface ASME Y14.5	tolerance ASME Y14.5	projection 	product family TERMINAL BLOCK
ltr	ecn no	dr	date	MM	title TERMINAL BLOCK SPRING CLAMP, 180D WIRE INLET
tolerances unless otherwise specified					
angles		X.±0.5		scale	dwg no HAxx01x000JOG
X°±1'		X.XX±0.1			
dr		EVIN ZHONG 052314			type CUSTOMER Drawing
enr		EVIN ZHONG 052314			
chr		HANKE FENG 052314			
appd		SHI JUN 052314			
sheet index	revision sheet	A 1			