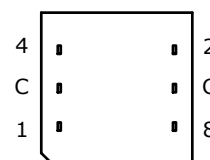
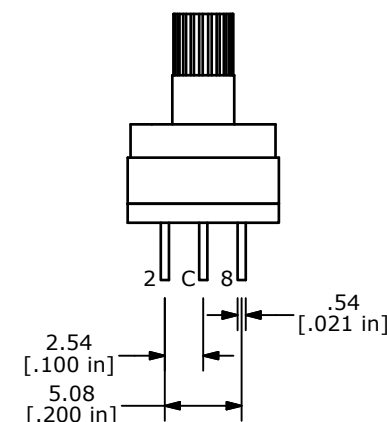
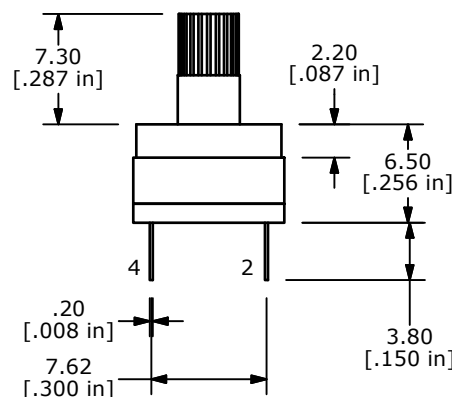


REAL CODE

| | C | 1 | 2 | 4 | 8 |
|---|---|---|---|---|---|
| 0 | ● | | | | |
| 1 | ● | ● | | | |
| 2 | ● | | ● | | |
| 3 | ● | ● | ● | | |
| 4 | ● | | | ● | |
| 5 | ● | ● | | ● | |
| 6 | ● | | ● | ● | |
| 7 | ● | ● | ● | ● | |
| 8 | ● | | | | ● |
| 9 | ● | ● | | | ● |



NOTES:

1. ALL DIMENSIONS IN MM [INCH]
2. GENERAL TOLERANCE: X.X=± 0.4
X.XX=± 0.25
3. TERMINAL NUMBERS FOR REFERENCE ONLY
4. OPERATING FORCE: 700gf/cm MAX. (B)
- ▲ 5. CONTACT RATING: 150mA, 42V DC (SWITCHING)
200mA 42V DC (NON-SWITCHING)
6. CONTACT RESISTANCE: 80mΩ MAX.
7. INSULATION RESISTANCE: 100MΩ MIN @ 250VDC
8. DIELECTRIC STRENGTH: 250VAC 1 MIN.
9. LIFE: 10,000 STEPS
10. OPERATING TEMPERATURE: -40°C TO 85°C
- ▲ 11. PACKAGING: 50 PCS TUBE
12. IP RATING: IP67
13. ▲ DENOTES CRITICAL PARAMETER
14. 2002/95/EC (ROHS) COMPLIANT



TITLE RDTBR10P1T

| | | | | |
|-----|--------|-----------------------|----------|-----|
| B | 19863 | CORRECT NOTE AND DIM | 04/20/11 | BMA |
| A | 19717 | RELEASE TO PRODUCTION | 02/24/11 | BMA |
| REV | PCR NO | DESCRIPTION | DATE | BY |

| | | | | |
|-------|-----------|-----|---------|-----|
| SCALE | DATE | DR | DWG | REV |
| 2:1 | 2/24/2011 | BMA | U200000 | B |

THE INFORMATION CONTAINED IN THIS DOCUMENT IS PROPRIETARY TO E-SWITCH AND IS NOT TO BE COPIED OR TRANSFERRED