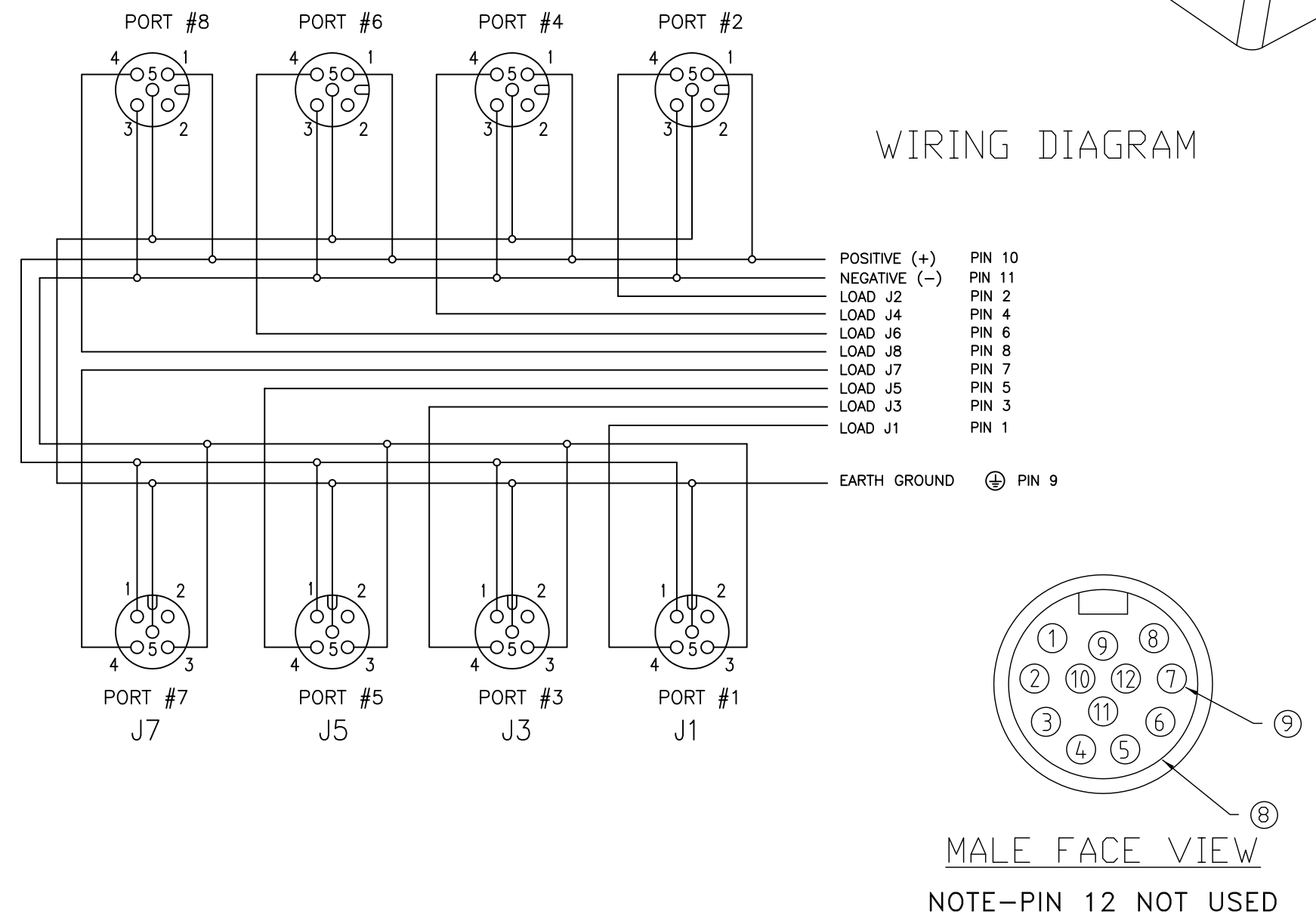
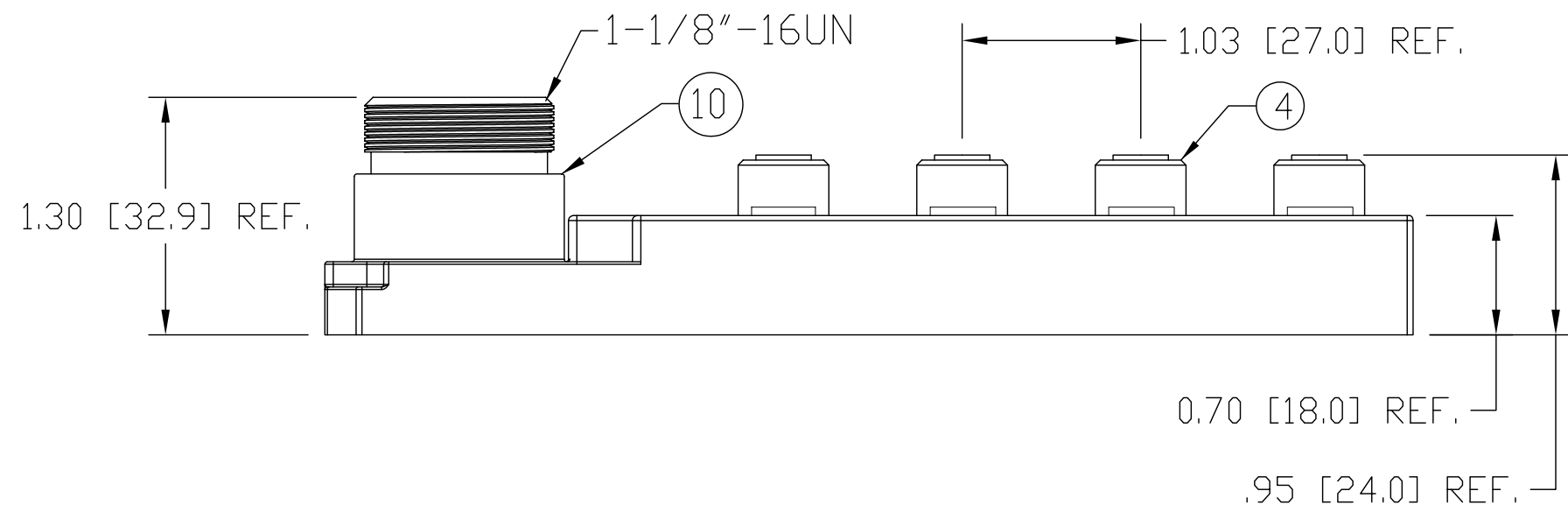
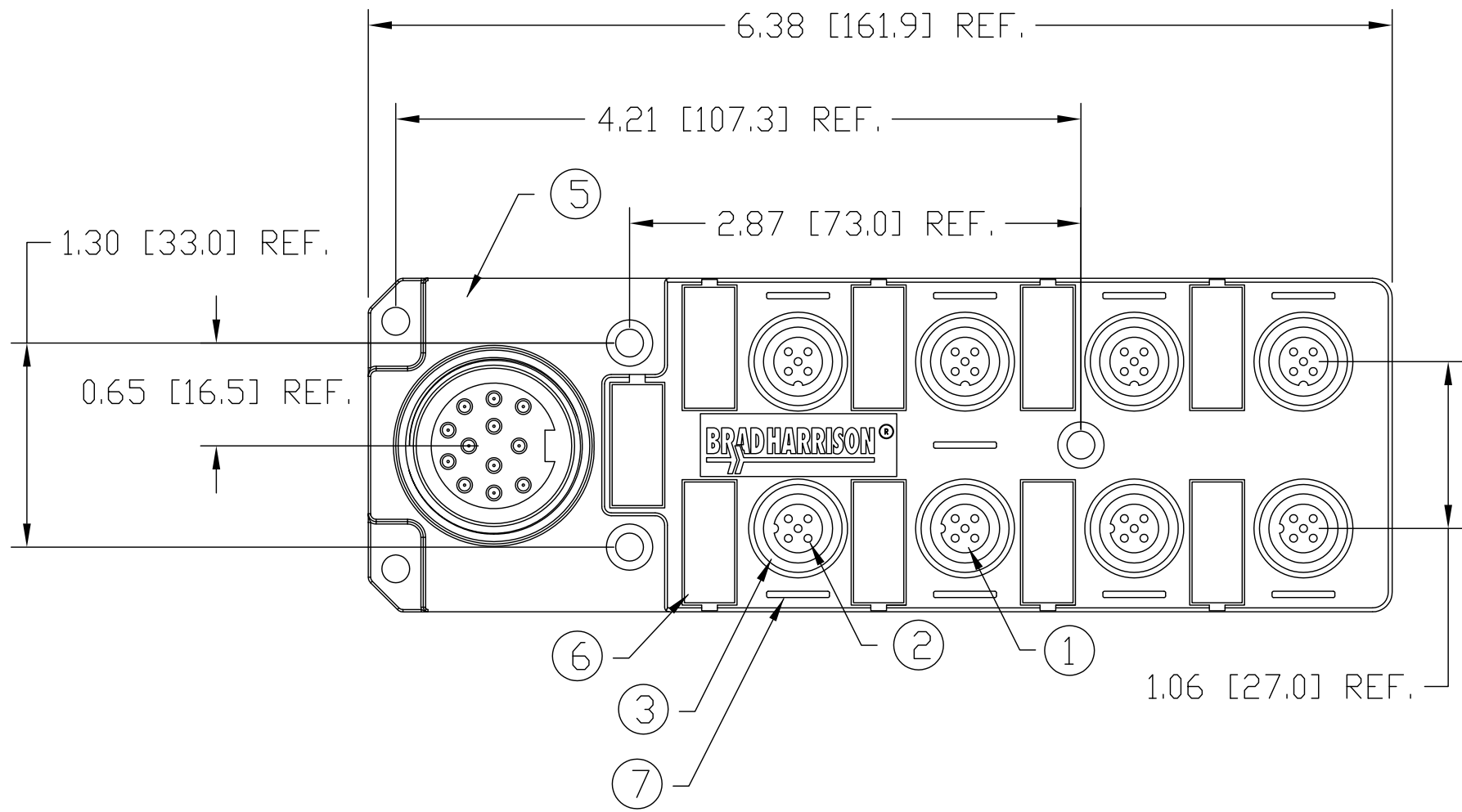
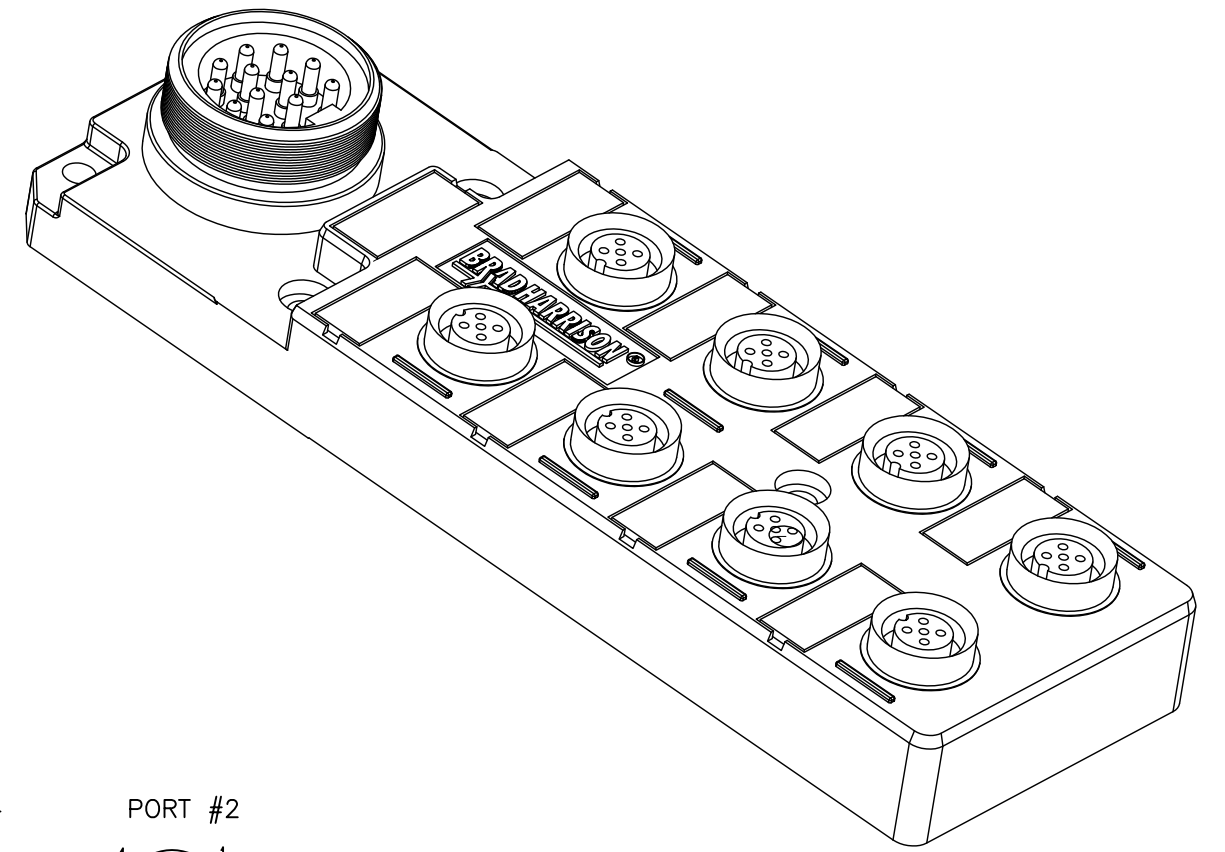


13	12	11	10	9	8	7	6	5	4	3	2	1
MATERIAL NUMBER	OLD PART NUMBER											
1201140079	BTY8010-FBB											



VOLTAGE RATING	10-30 VDC
AMPERAGE RATING PER PORT	4 AMPS
PROTECTION	IP67
OPERATING TEMPERATURE	-20°C TO 90°C
UL CERTIFICATIONS	UL RECOGNIZED, FILE NO. E46237
CSA CERTIFICATIONS	CSA CERTIFIED, FILE NO. LR6837

ITEM	COMPONENT	MATERIAL	FINISH
1	INSERT	NYLON	BLACK
2	CONTACT SOCKET	COPPER ALLOY	GOLD OVER NICKEL
3	O-RING	VITON	RED
4	RECEPTACLE SHELL	BRASS	NICKEL PLATED
5	HOUSING	PBT	YELLOW
6	LABEL	ABS	WHITE
7	LENS	NYLON	CLEAR
8	INSERT	PVC	YELLOW
9	CONTACT PIN	COPPER ALLOY	GOLD OVER NICKEL
10	RECEPTACLE SHELL	BRASS	NICKEL PLATED

RELEASED DRAWING
 EC NO: WEU2010-0441
 DRWN: BBRAUCH 2010/03/17
 CH'KD: FP
 APPR: FPACHER 2010/03/19

QUALITY SYMBOL ▽=0 ◇=0	GENERAL TOLERANCES (UNLESS SPECIFIED)	DIMENSION STYLE IN/MM	SCALE NTS	DESIGN UNITS METRIC	THIRD ANGLE PROJECTION
	4 PLACES ±--- 3 PLACES ±--- 2 PLACES ±--- 1 PLACE ±0.3	mm INCH ±--- ±--- ±--- ±--- ±0.3 ±---	DRAWN BY BBRAUCH DATE 2010/03/17	TITLE MICRO-CHANGE MPIS 8 PORT TOP MOUNT PNP MINI 12 POLE MALE	
	DRAFT WHERE APPLICABLE MUST REMAIN WITHIN DIMENSIONS	APPROVED BY FPACHER DATE 2010/03/18	MOLEX	MOLEX INCORPORATED	
		MATERIAL NO. SEE CHART	DOCUMENT NO. SD-120114-063	SHEET NO. 1 OF 1	

NOTE: DIMENSIONS IN MILLIMETERS, INCHES IN PARENTHESES.

THIS DRAWING CONTAINS INFORMATION THAT IS PROPRIETARY TO MOLEX INCORPORATED AND SHOULD NOT BE USED WITHOUT WRITTEN PERMISSION