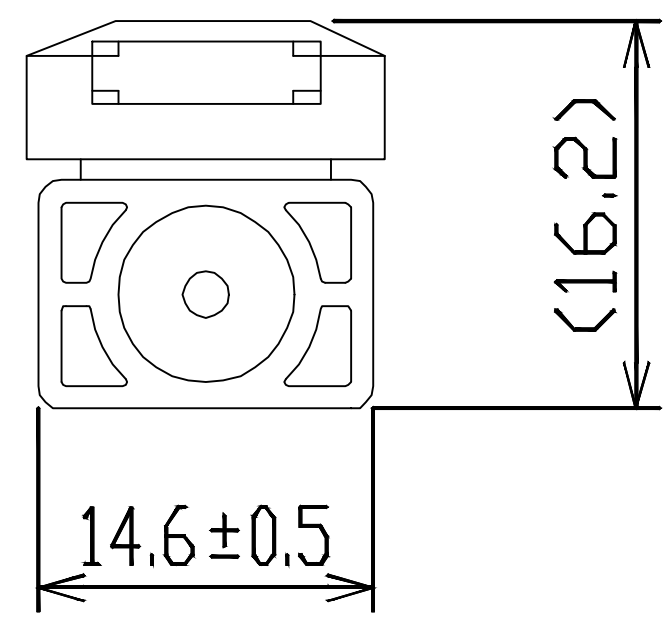
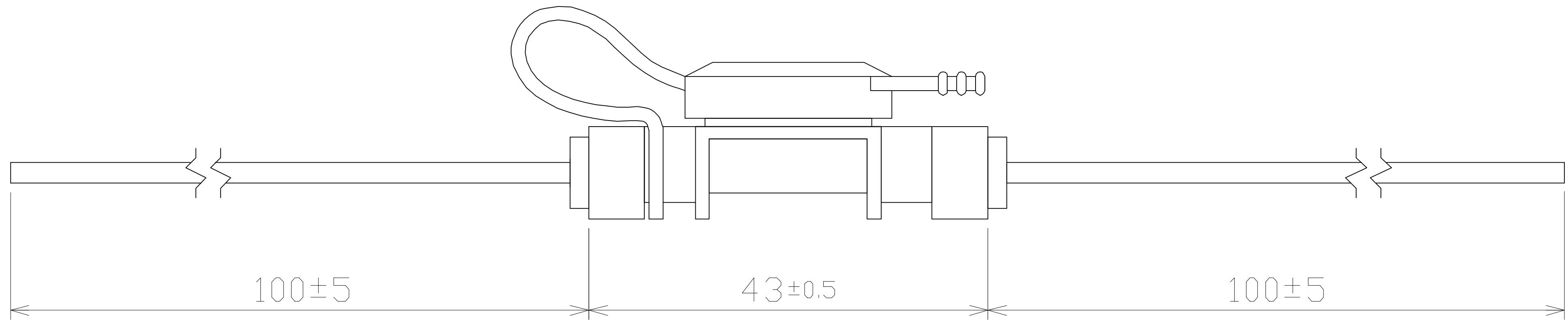
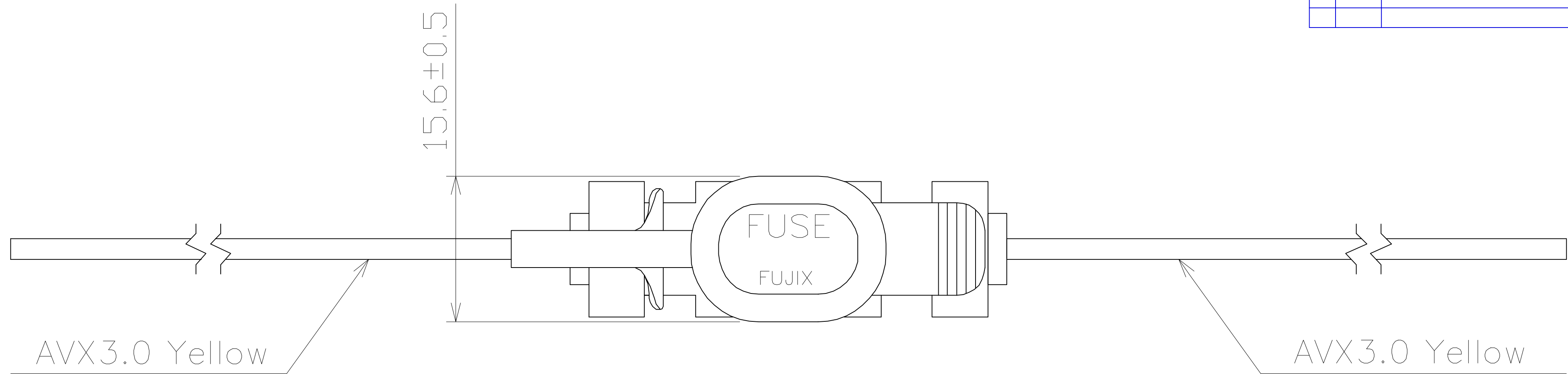


| LTR | DATE | REVISION | CHK | APD |
|-----|----------|------------------------|------|-----|
| A | 07/18/14 | 510794ERA-NEW RELEASED | FYUE | |
| | | | | |
| | | | | |
| | | | | |



| | | | |
|---|---|--------------------------|----------------------------------|
| UNLESS OTHERWISE SPECIFIED, DIMENSIONS ARE IN MILLIMETERS. DIMENSIONS IN BRACKETS [] ARE INCHES. | | | |
| UNLESS OTHERWISE SPECIFIED, DIMENSIONS DO NOT INCLUDE PLATING. | | | |
| ⊙ | DENOTES CRITICAL CHARACTERISTICS. | | |
| CPK | DENOTES CPK DIMENSIONS, -MINIMUM CPK VALUE | | |
| <S> | DENOTES A CHARACTERISTIC THAT PROVIDES AN INDICATION OF PROCESS PERFORMANCE. PROCEDURE FOR MEASUREMENT AND TRACKING TO BE DEFINED IN LITTELFUSE INSPECTION INSTRUCTIONS | | |
| CP | DENOTES CP DIMENSIONS, -MINIMUM CP VALUE MUST BE WITHIN THE DIMENSIONAL LIMITATIONS SHOWN ON DRAWING AND INITIALLY LOCATED TO ALLOW FOR MAXIMUM TOOL LIFE | | |
| COPIES TO | | MATL SPEC | |
| 1 | 9 | 18 | - |
| 2 | 10 | 19 | FINISH |
| 3 | 12 | 20 | - |
| 4 | 13 | 21 | DRW FYUE DATE 07/18/14 SCALE 1:1 |
| 5 | 14 | 23 | CHK DATE SUPER DR |
| 6 | 15 | 33 | APPD DATE FINSH GOOD WT |
| 7 | 16 | 43 | GRAMS/PIECE |
| 8 | 17 | 53 | |
| TOLERANCE UNLESS OTHERWISE SPECIFIED | | | |
| ONE PLACE DEC +/- .3 | | THREE PLACE DEC +/- .100 | |
| TWO PLACE DEC +/- .25 | | ANGULAR +/- 1° | |
| 3RD ANGLE PROJECTION | TITLE IN-LINE HOLDER, LP MINI 3.0MM2, UP TO 30A BULK | | |
| Littelfuse | REVISION | DRWG. NO. | OUTLINE |
| DES PLAINES, ILLINOIS 60016 | A | FHLM0002Z | |

Note.
 1.This product adapt to the following fuses.
 Low Profile fuse, Current rating: 30A MAX.

METRIC
ASSEMBLY

CAD GENERATED DRAWING -- NO PENCIL CHANGES ALLOWED