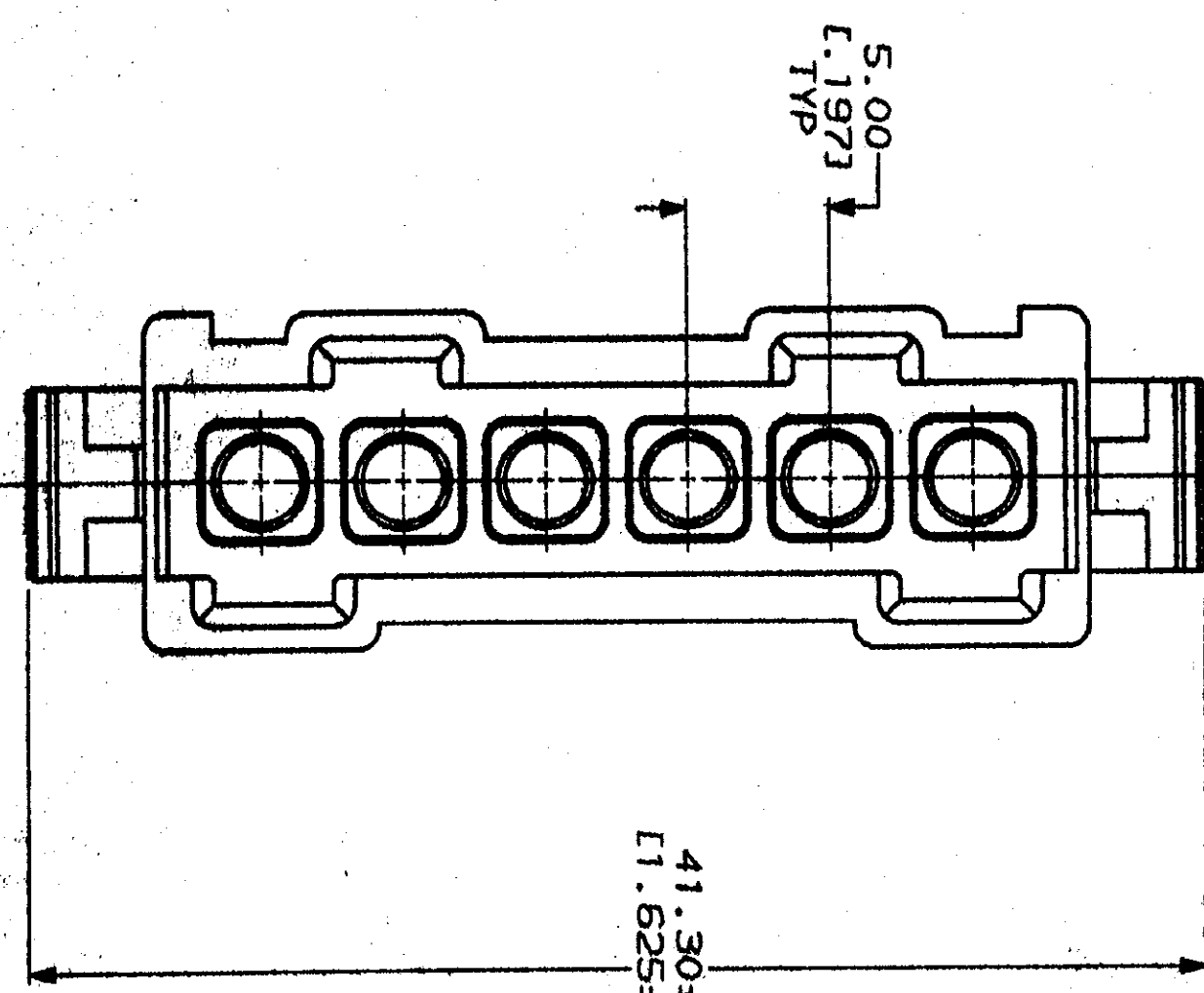
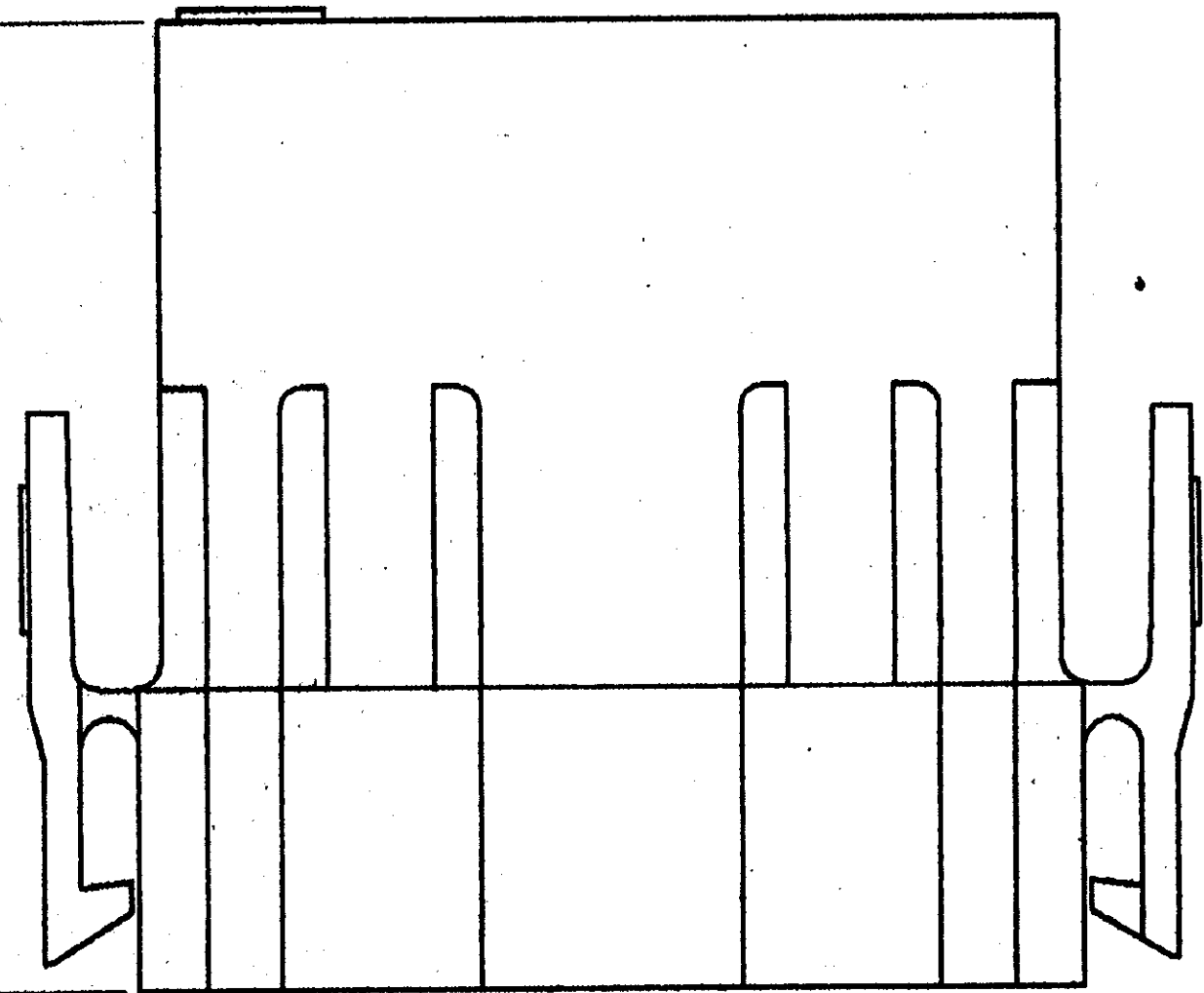
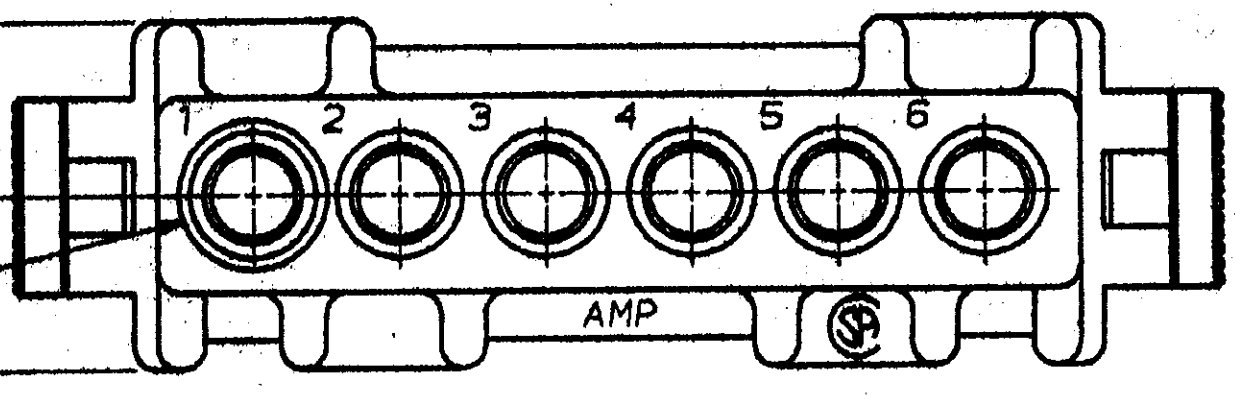


DRAWING MADE IN THIRD ANGLE PROJECTION
 THIS DRAWING IS UNCONTROLLED. RELEASED FOR REPLICATION.
 BY AMP CORPORATION, ALL INFORMATION, RIGHTS RESERVED. .19

REV	DATE	DESCRIPTION	BY	APP'D
1	80 39	REDRAWN	C	



RAISED CAVITY IDENTIFICATION
 ON REAR FACE ONLY.

PART
 NUMBER
 207376-1

DO NOT SCALE PRINT. UNLESS SPECIFIED DIMENSIONS IN INCHES TOLERANCES ON: 2. PLC DEC # 0.25(.010) 3. R/C DEC # 0.25(.010) ANGLES MATERIAL THERMOPLASTIC RED FINISH		DR 8-14-91 A. STUBBS BS CHK <i>A. Stubbbs</i> 9-23-91 APP'D <i>A. TrAVIS</i> 9-23-91 APPRO <i>A. TrAVIS</i> 9/23/91 PRODUCT SPEC	NAME AMP AMP Incorporated Harrisburg, PA 17105-3608
APPLICATION SPEC	WEIGHT	SCALE 4:1	SIZE CAGE CODE 00779
			DRAWINGS NO 207376
			SHEET 1 OF 1

CUSTOMER DRAWING

207376