

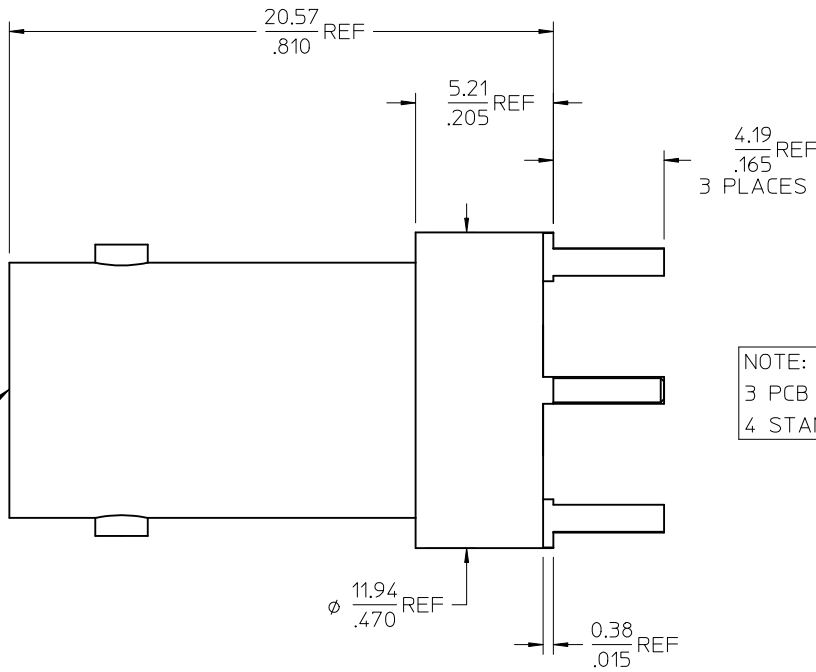
MATERIALS AND FINISHES

BODY, PRESS RING: BRASS
PLATED NICKEL

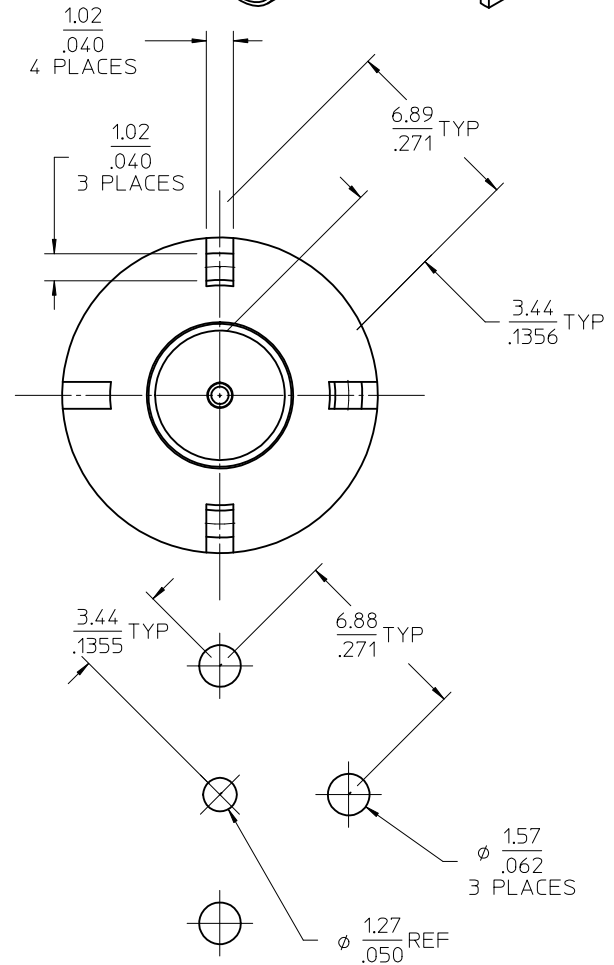
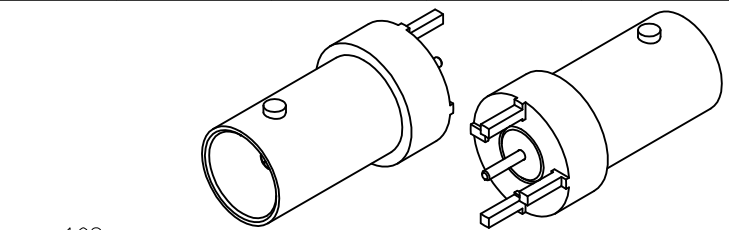
CONTACT: BERYLLIUM COPPER
PLATED GOLD

INSULATOR: TEFLON

BNC JACK
75 OHM INTERFACE



NOTE:
3 PCB LEGS
4 STANDOFFS



SUGGESTED PCB LAYOUT

73171-3541	ONE PER BAG
73171-3540	TRAY
PART NO.	PACKAGING

PS-89675-2020	PRODUCT SPECIFICATION
SPECIFICATION	DESCRIPTION

CHG: ADD PS AND -3541	EC NO: URF2011-0572	2011/03/30
	DRWN:JWIENER	2011/03/30
A1	CHKD:SSS	2011/03/30
	APPR:JWIENER	2011/04/01

QUALITY SYMBOLS	▽=0
	▽=0

GENERAL TOLERANCES (UNLESS SPECIFIED)	
	mm INCH
4 PLACES ±	±
3 PLACES ±	±
2 PLACES ±	±
1 PLACE ±	±
ANGULAR ± 2 °	
DRAFT WHERE APPLICABLE MUST REMAIN WITHIN DIMENSIONS	

DIMENSION STYLE		SCALE	DESIGN UNITS	THIRD ANGLE PROJECTION
MM/IN			METRIC	
DRAWN BY	DATE	TITLE		
JDW	2008/07/16	BNC JACK PCB 3GHZ 75 OHM VERTICAL		
CHECKED BY	DATE	BNC-J/PCB, EWR-3694		
SSS	2008/07/16	MOLEX INCORPORATED		
APPROVED BY	DATE	MATERIAL NO.		
JDW	2008/07/16	SEE TABLE		
DOCUMENT NO.		SHEET NO.		
SD-73171-354		1 OF 1		

THIS DRAWING CONTAINS INFORMATION THAT IS PROPRIETARY TO MOLEX INCORPORATED AND SHOULD NOT BE USED WITHOUT WRITTEN PERMISSION	
---	--