

REVISIONS		DATE	APPROVED
LTR	DESCRIPTION		
N/c	INITIAL RELEASE, ECN* T-4026	2-23-83	JP

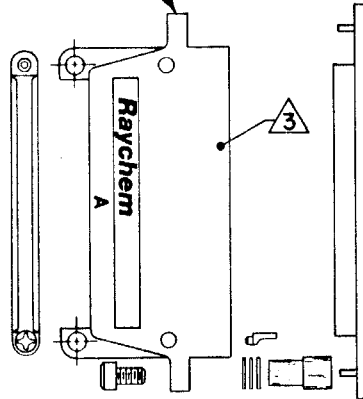
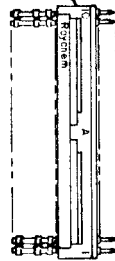
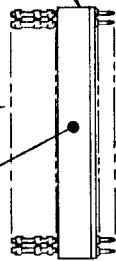
HOUSING ASSEMBLY

A WAFER (TOP)

B WAFER (BOTTOM)

TYPICAL WAFER INSERTION INTO HOUSING

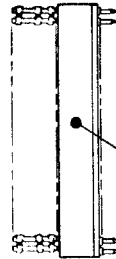
3



NOTES:

- THIS KIT CONSIST OF THE FOLLOWING ITEMS:
    - MTC100-JHI-R22 HOUSING
    - MTC100-JAI-PI4 A PIN WAFER
    - MTC100-JBI-PI4 B PIN WAFER
  - FOR DETAIL DATA, REFER TO THE APPLICABLE RAYCHEM SPECIFICATION CONTROL DRAWING.
- 3 PART NUMBER AND DATE CODE MARKED ON THIS SIDE

REVERSE SIDE OF WAFERS



3

SPECIFICATION CONTROL DRAWING © Raychem Corporation 1983

DRAWN	<i>Januel</i>	2-23-83	<b>Raychem</b> RAYCHEM CORPORATION 300 CONSTITUTION DRIVE MENLO PARK, CALIFORNIA 94025		
CHECKED					
APPROVED	<i>JP</i>	2-23-83	TITLE KIT, 1", RECEPTACLE, PIN WAFERS WITH PRE-ASSEMBLED SOLDER SLEEVE <sup>®</sup> TERMINATOR, FOR 20-26 AWG ROUND WIRE, 125° C OPERATING TEMPERATURE, MTC100		
APPROVED	<i>JP/td</i>	2-23-83			
UNLESS OTHERWISE SPECIFIED DIMENSIONS ARE IN INCHES. METRIC DIMENSIONS ARE IN PARENTHESIS			SIZE	CODE IDENT. NO.	DWG. NO.
DO NOT SCALE THIS DRAWING			<b>B</b>	<b>06090</b>	<b>MTC100-KT1-0079</b>
			WEIGHT	SHEET 1 OF 1	