

TABS USED TO MOUNT LIGHT PIPE

Qty per:	Tray	Carton		
	45	900		
PART NUMBER : SFPPCAGE011-L				
No.	DESCRIPTION	Q'ty	MATERIAL	PLATING
01	CAGE TOP	1	COPPER ALLOY	Nickel
02	CAGE BOTTOM	1	COPPER ALLOY	Nickel

MM (INCH)
TOLERANCES EXCEPT AS NOTED

MM	±
.0 ± 0.2	±
.00 ± 0.15	±
.000 ± 0.075	±

ANGLES ± 0.5

THIRD ANGLE PROJECTION

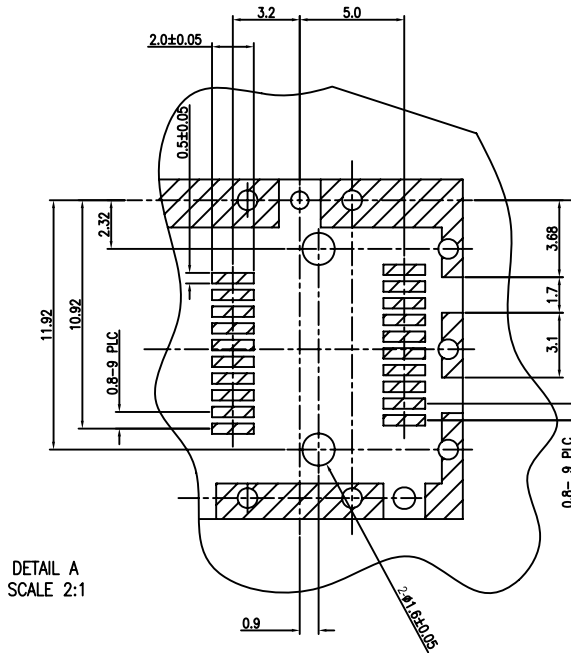
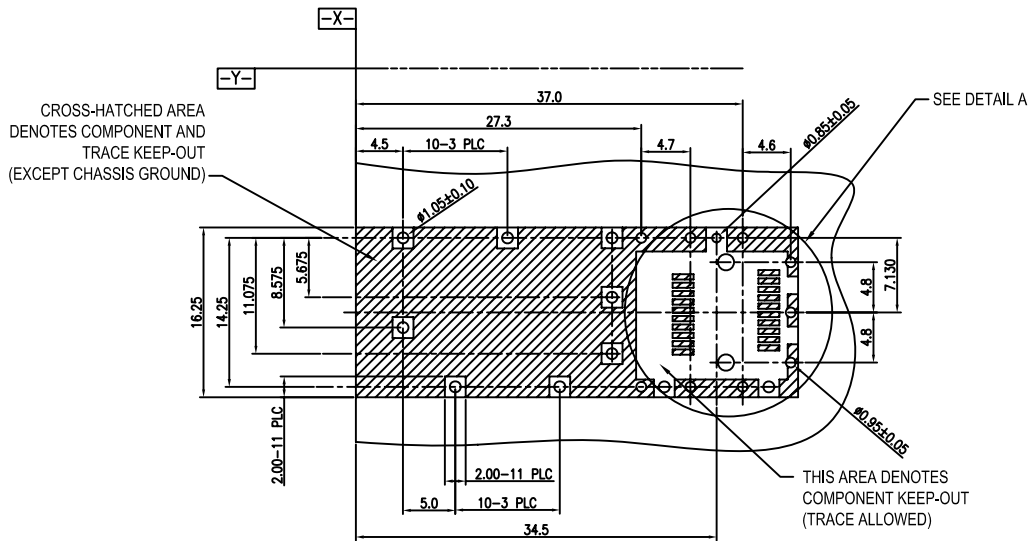
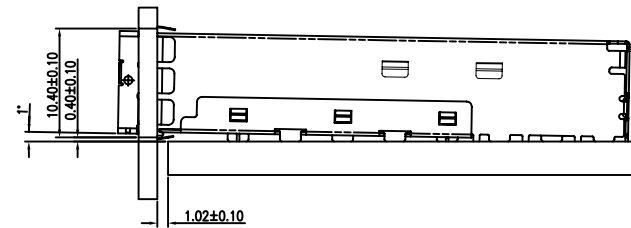
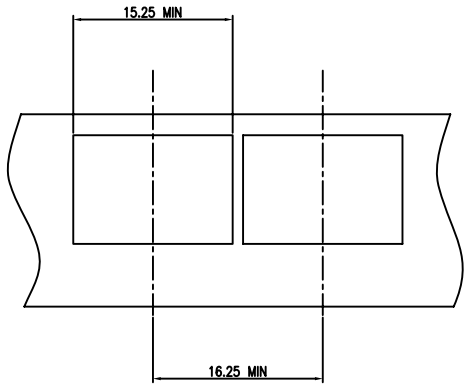
RoHS Compliant

TITLE
SFP+ CAGE 1 BY 1,PRESS-FIT,FOR PCI

DFTO Peter	DRAWING NO. SFPPCAGE011-L	SIZE A3	REV R9
DATE 07/22/08	/PART NO.		
SCALE : 1:1	DO NOT SCALE DRAWING	SHEET 1	OF 2

H
G
F
E
D
C
B
A

8 | 7 | 6 | 5 | 4 | 3 | 2 | 1



H
G
F
E
D
C
B
A

8 | 7 | 6 | 5 | 4 | 3 | 2 | 1

DETACHED LISTS	MM (INCH)	RoHS Compliant				
	TOLERANCES EXCEPT AS NOTED		TITLE			
	MM		SFP+ CAGE 1 BY 1,PRESS-FIT,FOR PCI			
	.0 ± 0.2	±				
.00 ± 0.15	±					
.000 ± 0.075	±	DFTO Peter		DRAWING NO. SFPPCAGE011-L		
ANGLES ± 0.5		DATE 07/22/08		/PART NO.		
THIRD ANGLE PROJECTION		SCALE : 1:1		DO NOT SCALE DRAWING		
				SHEET 2	REV R9	
				OF 2		