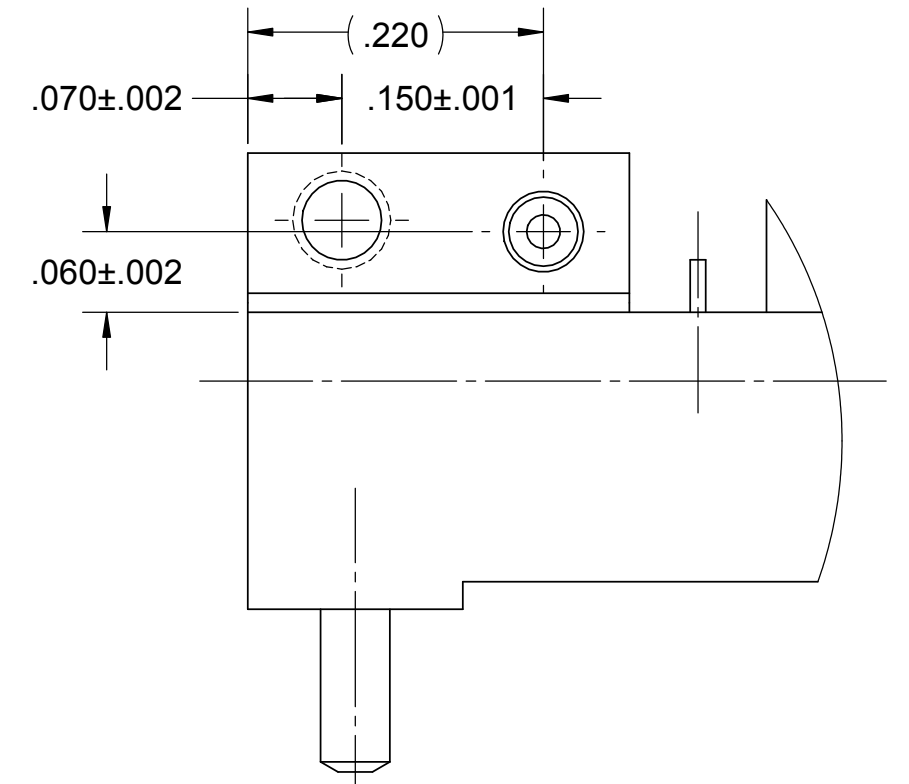
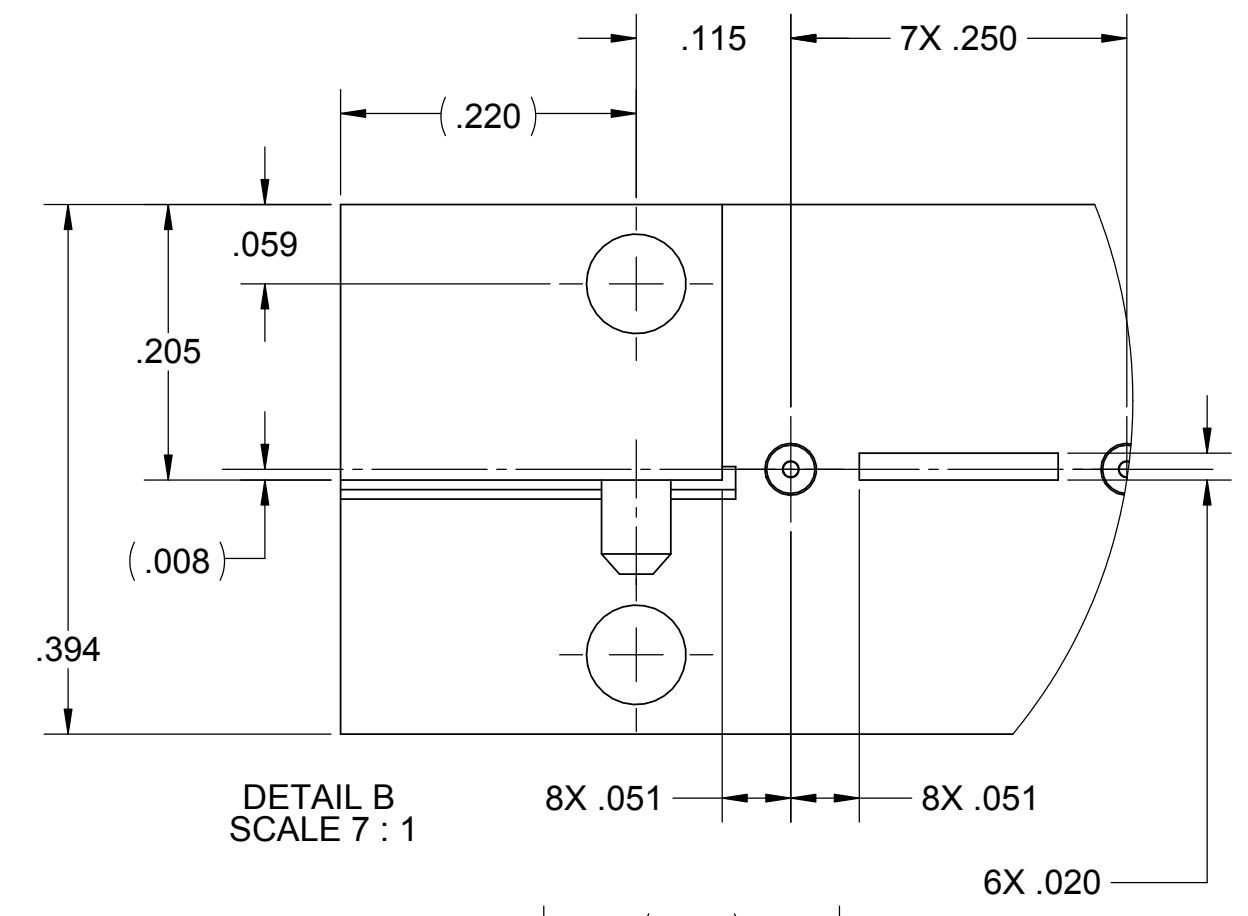
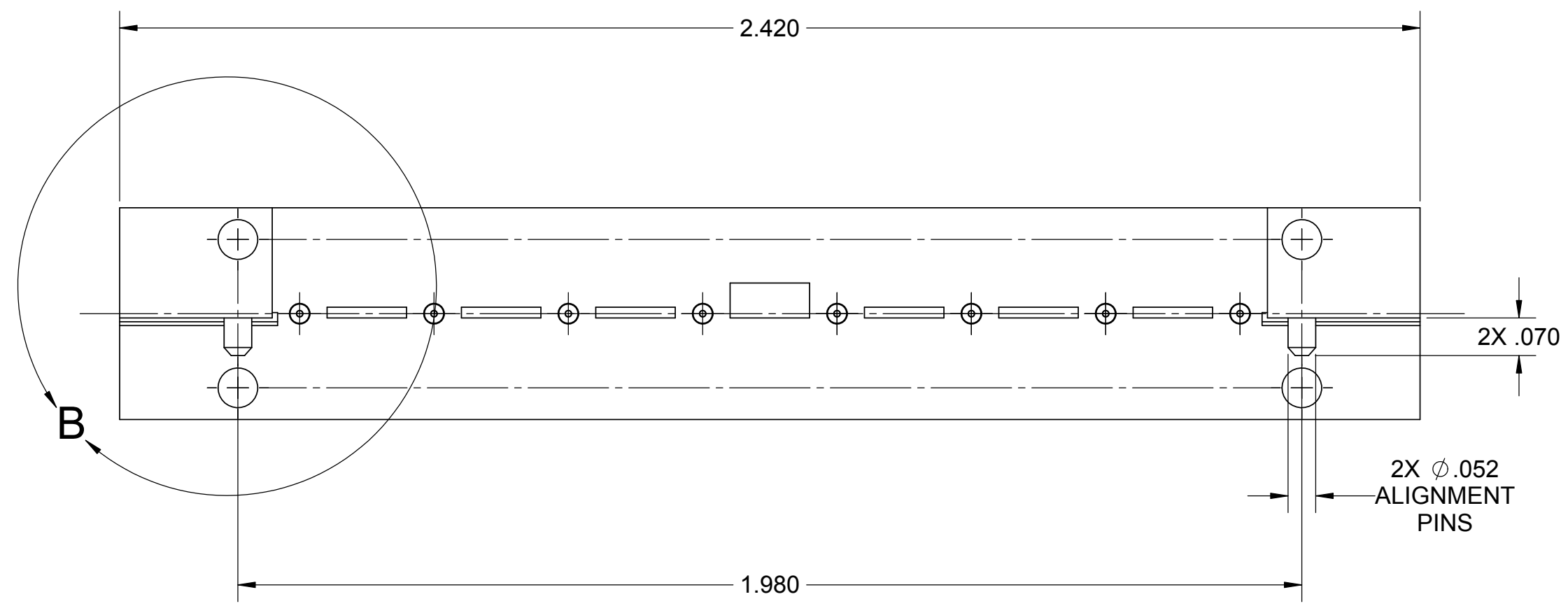
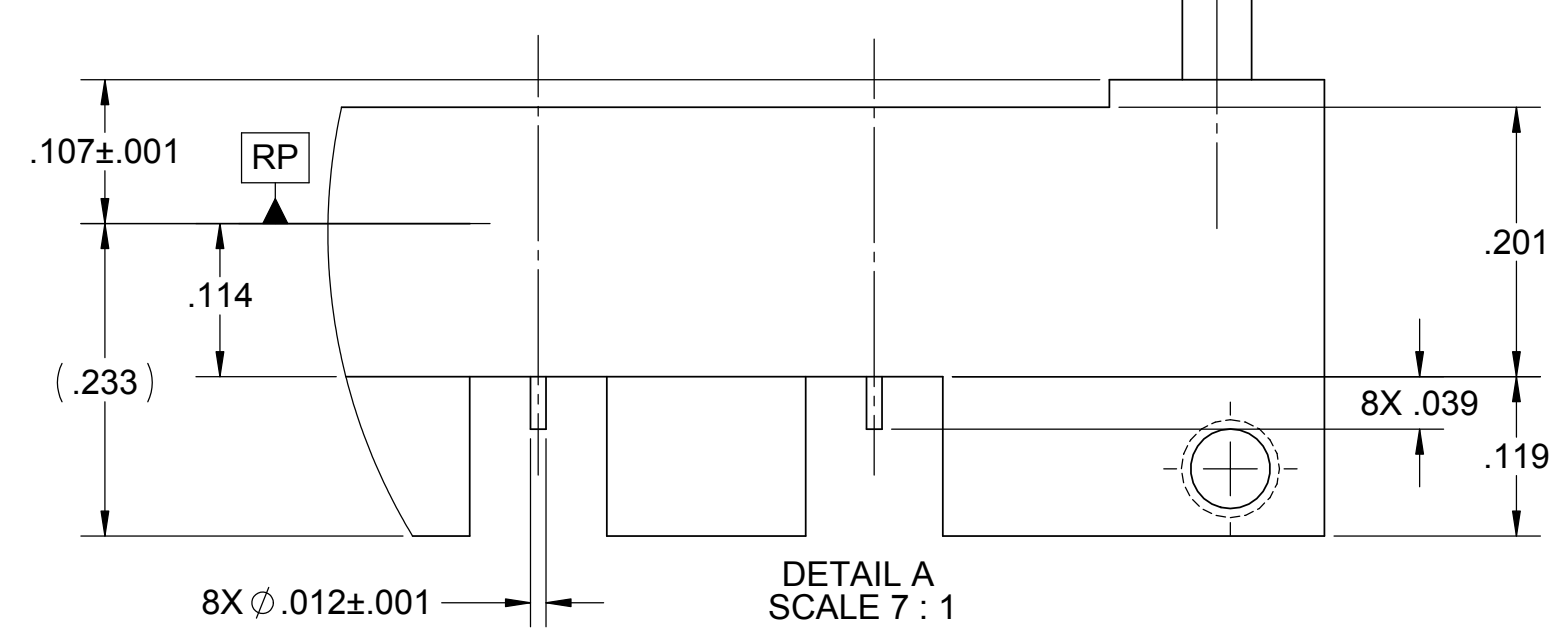
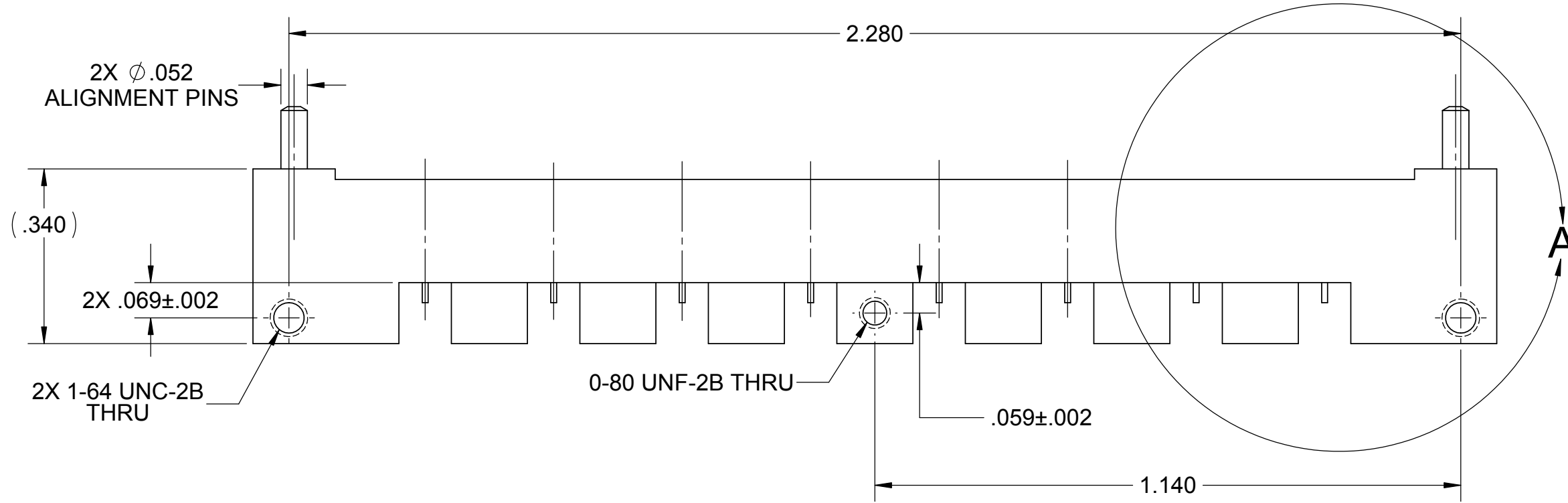


PRODUCT DATA DRAWING

REVISION HISTORY			
REV.	DESCRIPTION	DATE	APPROVED
-	NRN 40631	05/16	STW



MATERIAL:

BODY & SHROUDS: STAINLESS STEEL PER AMS-5640, ALLOY UNS S30300, TYPE 1; OR ASTM A582 TYPE 303, COND. A

CONTACTS: BERYLLIUM COPPER PER ASTM B196, ALLOY No. UNS C17300, TD04

INSULATORS: PTFE PER ASTM D1710, TYPE I, GRADE 1, CLASS B

FINISH:

BODY, SHROUDS, & CONTACTS: GOLD PER ASTM B488, TYPE II, CODE C, CLASS 0.76, OVER NICKEL PER AMS-QQ-N-290, CLASS 1, .00010" MIN.

PERFORMANCE:

IMPEDANCE: 50 OHMS

FREQ. RANGE: DC TO 65 GHz.

MATERIAL: SEE NOTES

FINISH: SEE NOTES

DO NOT SCALE DRAWING

PROPRIETARY

THE INFORMATION CONTAINED IN THIS DRAWING IS THE SOLE PROPERTY OF SV MICROWAVE, INC. ANY REPRODUCTION IN PART OR AS A WHOLE WITHOUT THE WRITTEN PERMISSION OF SV MICROWAVE, INC. IS PROHIBITED.

DIMENSIONS ARE IN INCHES
TOLERANCES:
ANGULAR: ±1°
ONE PLACE DECIMAL ±.030
TWO PLACE DECIMAL ±.010
THREE PLACE DECIMAL ±.005

INTERPRET DIMENSIONS AND TOLERANCES PER ASME Y14.5M - 1994

THIRD ANGLE PROJECTION



UNLESS OTHERWISE SPECIFIED:

- ALL DIMENSIONS ARE AFTER PLATING.
- BREAK CORNERS & EDGES R.005 MAX.
- CHAMFER 1ST AND LAST THREAD.
- SURFACE ROUGHNESS 63 PER MIL-STD-10.
- DIA'S ON COMMON CENTERS TO BE CONCENTRIC WITHIN .005 T.I.R.
- REMOVE ALL BURRS.

DRAWN: FED 05/27/16

CHECKED: STW 05/27/16

APPROVED: STW 05/27/16

E.M. SIMULATION:

SV Microwave, Inc.®

2400 Centrepark West Drive, Suite 100
West Palm Beach, FL 33409

TITLE: SMPM FD MALE 8-PORT
EDGE LAUNCH

SIZE: C

CAGE CODE: 95077

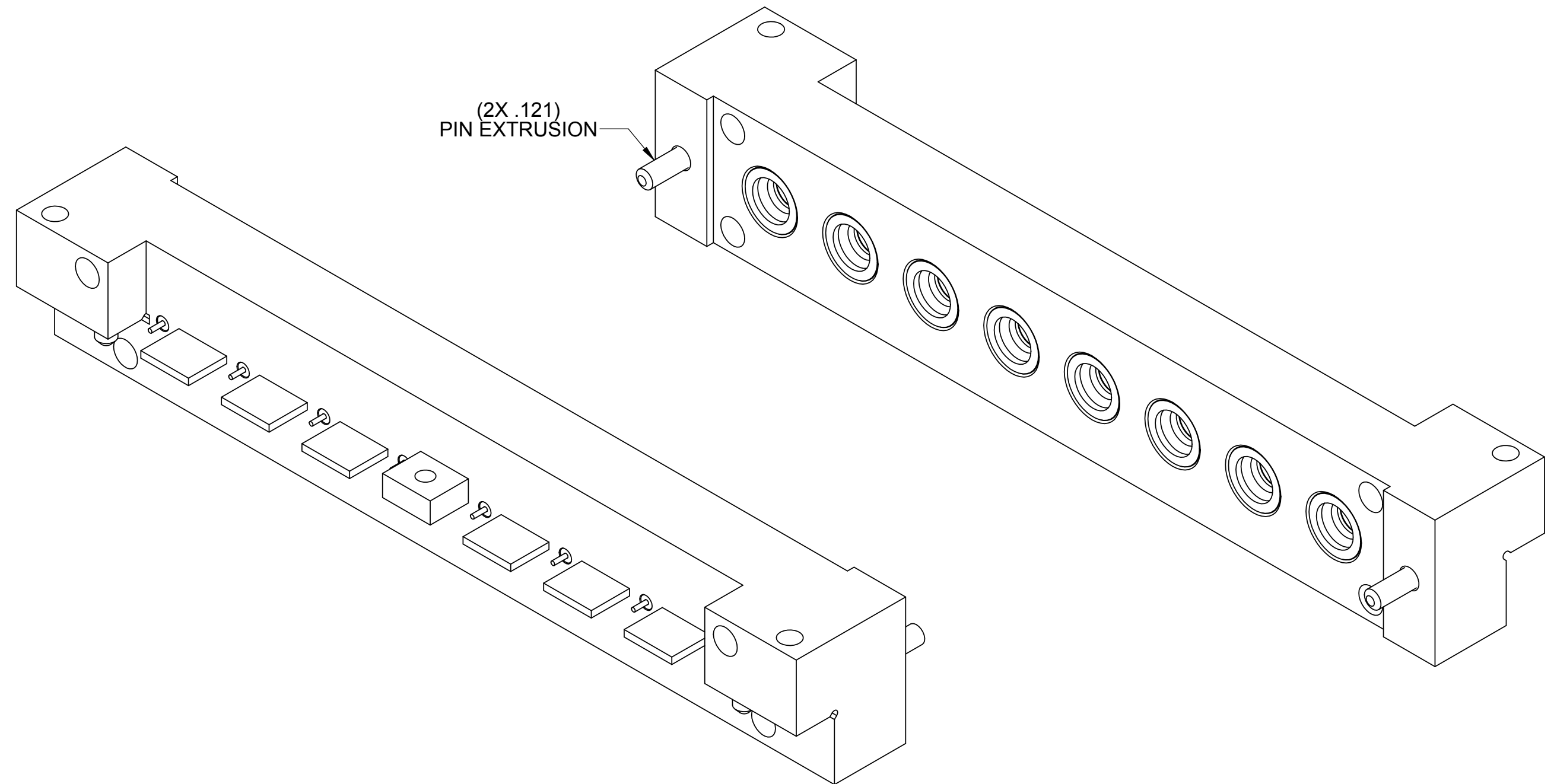
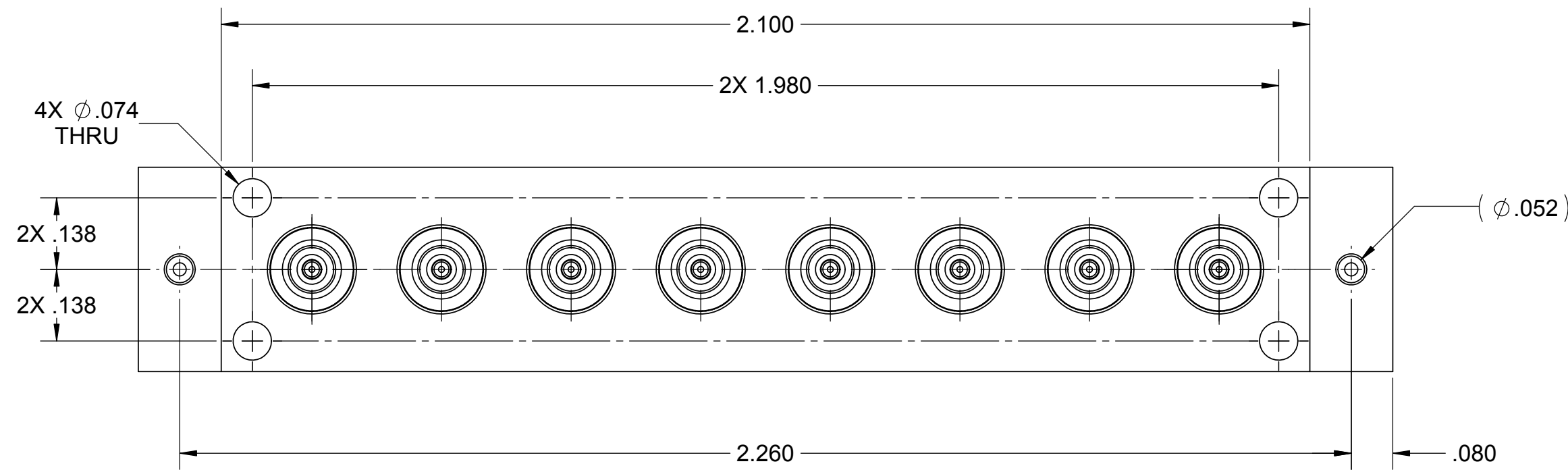
DWG. NO.: 3211-60181

SCALE: 4:1

SHEET 1 OF 2

PRODUCT DATA DRAWING

REVISION HISTORY			
REV.	DESCRIPTION	DATE	APPROVED
	SEE SHEET 1		



MATERIAL:	SEE NOTES
FINISH:	SEE NOTES
DO NOT SCALE DRAWING	
PROPRIETARY	
<small>THE INFORMATION CONTAINED IN THIS DRAWING IS THE SOLE PROPERTY OF SV MICROWAVE, INC. ANY REPRODUCTION IN PART OR AS A WHOLE WITHOUT THE WRITTEN PERMISSION OF SV MICROWAVE, INC. IS PROHIBITED.</small>	

<small>DIMENSIONS ARE IN INCHES TOLERANCES: ANGULAR: \pm1° ONE PLACE DECIMAL \pm.030 TWO PLACE DECIMAL \pm.010 THREE PLACE DECIMAL \pm.005 INTERPRET DIMENSIONS AND TOLERANCES PER ASME Y14.5M - 1994</small>	
THIRD ANGLE PROJECTION	

UNLESS OTHERWISE SPECIFIED:	
<small>1. ALL DIMENSIONS ARE AFTER PLATING. 2. BREAK CORNERS & EDGES R.005 MAX. 3. CHAMFER 1ST AND LAST THREAD. 4. SURFACE ROUGHNESS 63 PER MIL-STD-10. 5. DIA'S ON COMMON CENTERS TO BE CONCENTRIC WITHIN .005 T.I.R. 6. REMOVE ALL BURRS.</small>	
DRAWN:	FED 05/27/16
CHECKED:	STW 05/27/16
APPROVED:	STW 05/27/16
E.M. SIMULATION:	

SV Microwave, Inc. <small>2400 Centrepark West Drive, Suite 100 West Palm Beach, FL 33409</small>			
TITLE: SMPM FD MALE 8-PORT EDGE LAUNCH			
SIZE	CAGE CODE	DWG. NO.	
C	95077	3211-60181	
SCALE: 4:1		SHEET 2 OF 2	