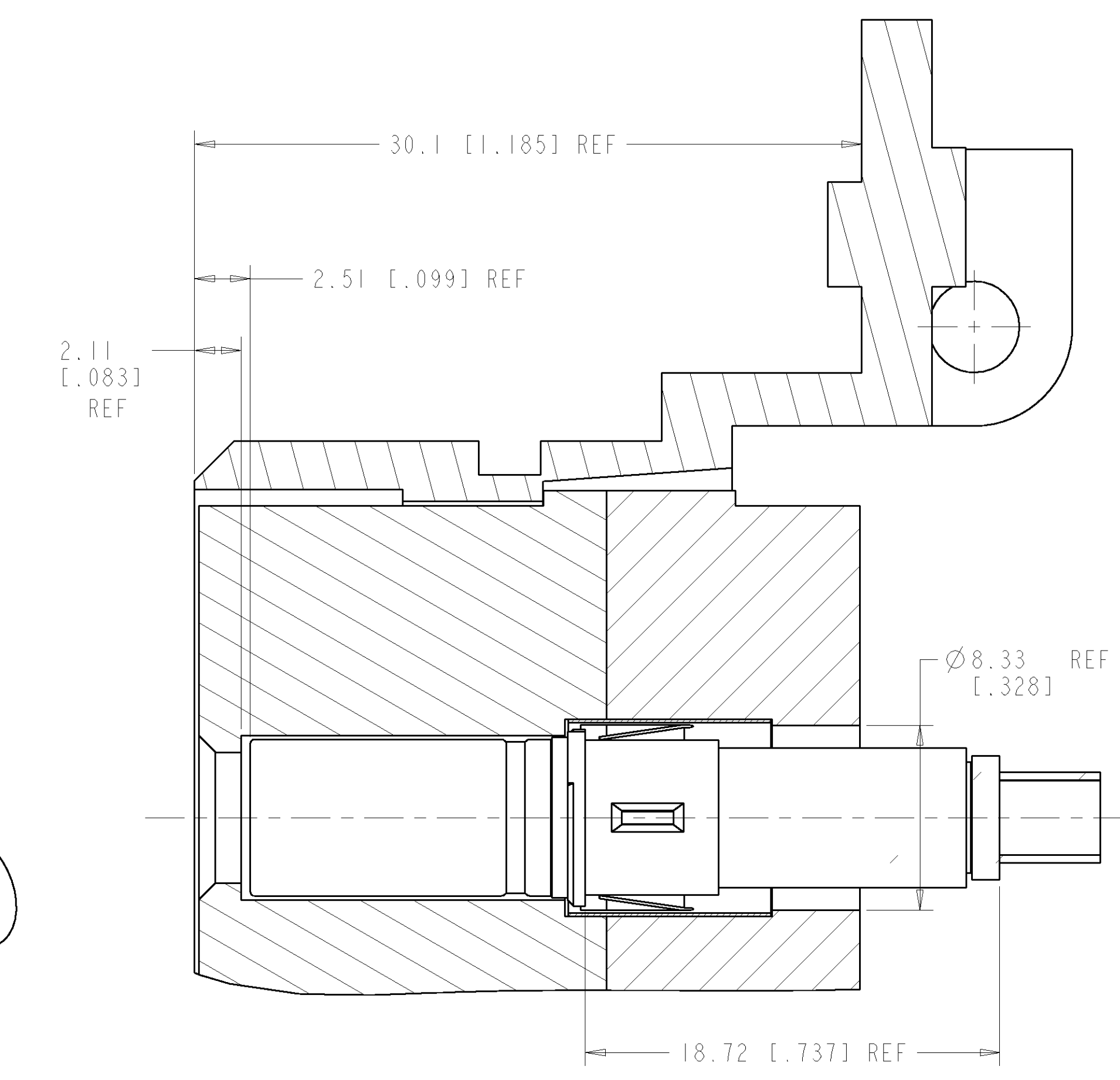
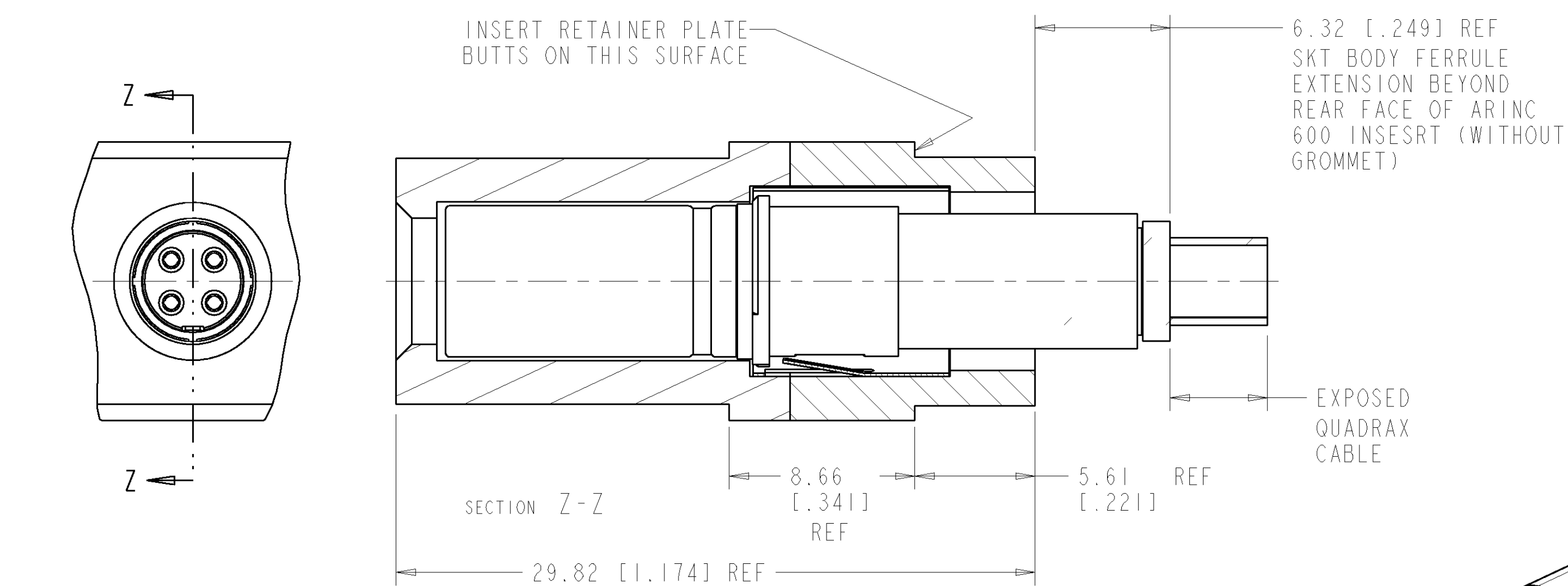
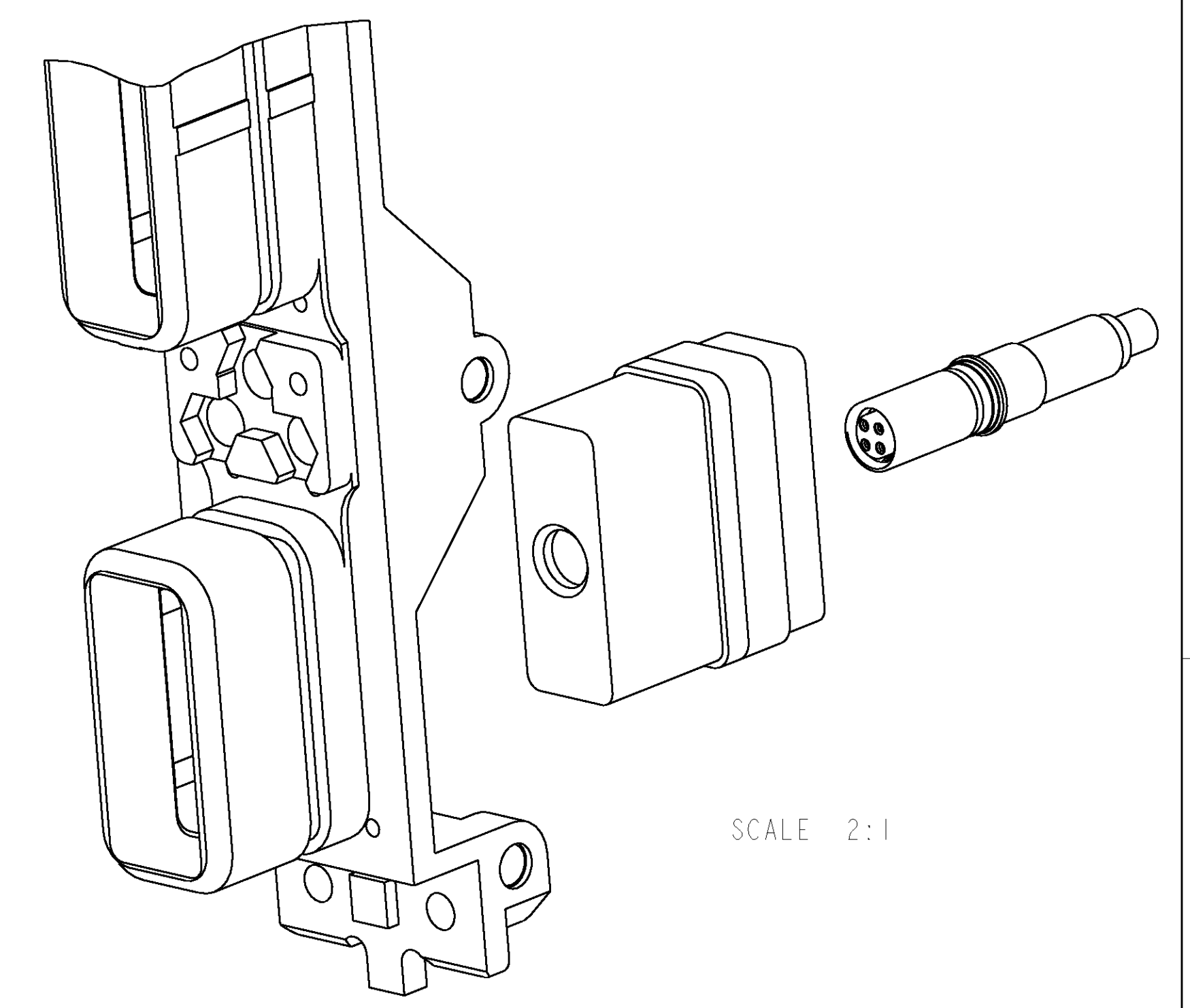
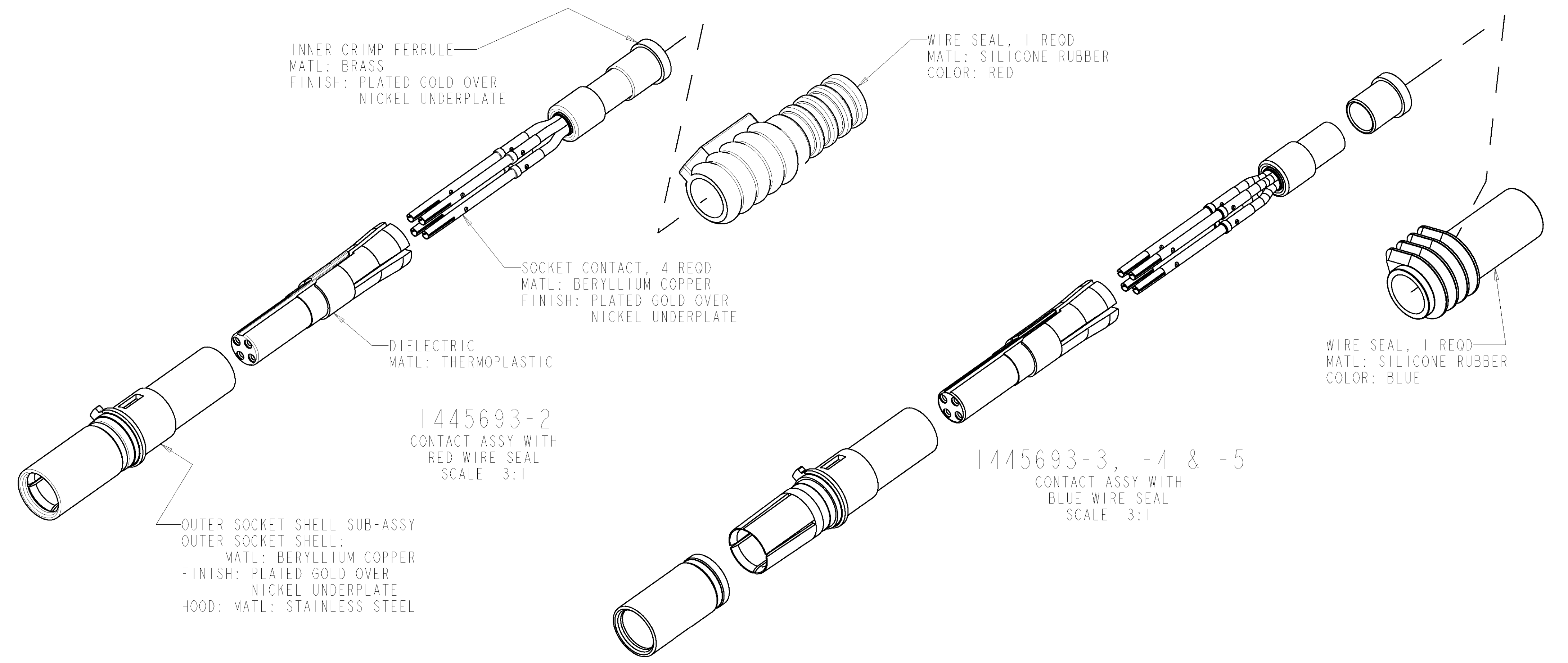


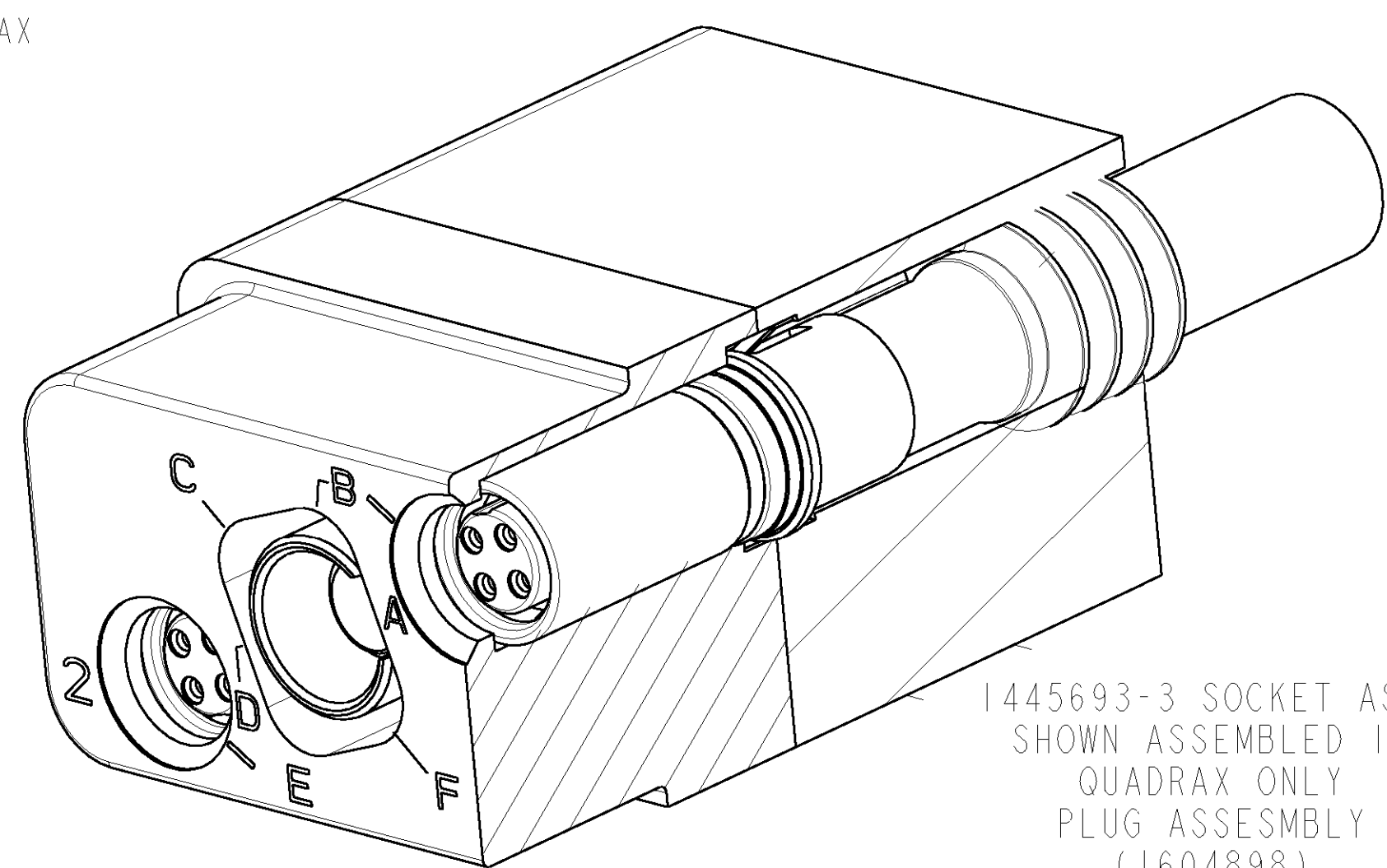
- COMPONENTS ARE PACKAGED IN KIT FORM. CABLE MUST BE PURCHASED SEPARATELY.
- ASSEMBLY PER APPLICATION SPECIFICATION 114-13123.
- USE INSERTION-EXTRACTION TOOL 1738894-1.
- ▲ TENSOLITE NF240I00 OR EQUIVALENT
- ▲ DRAKA F4704-4 OR EQUIVALENT

RECOMMENDED CABLE	CUSTOMER PART NUMBER	SEAL COLOR	DESCRIPTION	PART NO.
▲5	-	-	AS SHOWN WITHOUT WIRE SEAL	1445693-6
▲5	-	BLUE	AS SHOWN WITH WIRE SEAL	1445693-5
▲4	BACC47GB1	BLUE	SAME AS -1 EXCEPT WITH WIRE SEAL	1445693-4
▲4	---	BLUE	SAME AS -1 EXCEPT WITH WIRE SEAL	1445693-3
▲4	---	RED	SAME AS -1 EXCEPT WITH WIRE SEAL	1445693-2
▲4	---	--	AS SHOWN; WITHOUT WIRE SEAL	1445693-1

DIMENSIONS: mm [INCH]		TOLERANCES UNLESS OTHERWISE SPECIFIED:		DWG BRNHD, 23JUNE2004		TE Connectivity	
Ø		0 PLC	±	CHK W.H.BERNHART, 23JUNE2004		NAME	
H		1 PLC	±0.2 [0.008]	APVD W.H.BERNHART, 23JUNE2004		ASSEMBLY, SOCKET, QUADRAx,	
D		2 PLC	±0.13 [0.005]	PRODUCT SPEC		2mm SQ, AIRCRAFT DATA NETWORK, RR/RR	
R		3 PLC	±0.051 [0.002]	APPLICATION SPEC		WITH SOCKET CONTACTS	
C		4 PLC	±	SIZE		CAGE CODE DRAWING NO	
A		ANGLES	±	WEIGHT		RESTRICTED TO	
FINISH				MATERIAL		A 00779 C=1445693	
				CUSTOMER DRAWING		SCALE 2:1 SHEET 1 OF 2 REV G1	



QUADRAX SOCKET ASSY SHOWN INSTALLED IN
 STANDARD ARINC 600, SIZE 1 INSERT
 WITH REAR RELEASE, REAR REMOVABLE
 SIZE 8 QUADRAX CAVITY



DIMENSIONS: mm [INCH]		TOLERANCES UNLESS OTHERWISE SPECIFIED:		DRN Bernhard, 23JUNE2004		APVD W.H. BERNHART, 23JUNE2004		NAME ASSEMBLY, SOCKET, QUADRAX, 2mm SQ, AIRCRAFT DATA NETWORK, RR/RR WITH SOCKET CONTACTS	
0 PLC	±	1 PLC	±0.2 [.008]	APVD	W.H. BERNHART	PRODUCT SPEC	-	SIZE	CAGE CODE
2 PLC	±0.13 [.005]	3 PLC	±0.13 [.005]	APPLICATION SPEC	-	WEIGHT	-	A1	00779
4 PLC	±	ANGLES	±	CUSTOMER DRAWING	-	SCALE	2:1	SHEET	2 OF 2
MATERIAL	-	FINISH	-	REV	G1				