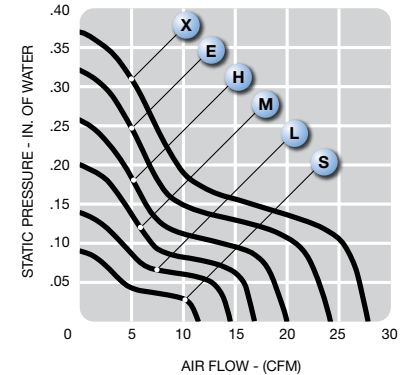
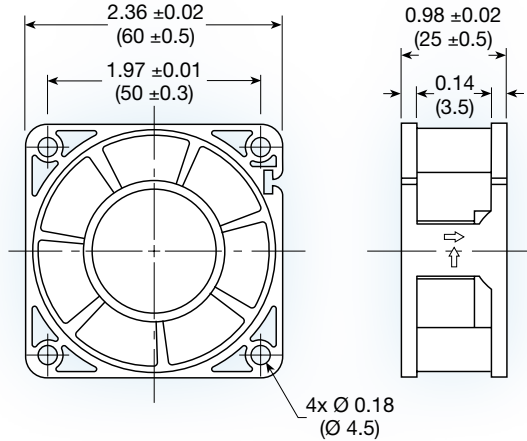


F6025-H series



(60 x 60 x 25 mm)

2.36 x 2.36 x 0.98 inches

Construction: UL94V-0 PBT impeller & frame

Bearing option: ball bearing

Connection: AWG 24, UL1007 lead wires

Frame: flanged or ribbed

Protection: thermal

Options: tachometer output or locked rotor alarm signal; thermistor speed control; encapsulated motor; PWM speed control

Model No.	Rated Voltage V	Current mA		Speed RPM	Air Volume		Max. Static Pressure (H ₂ O)		Sound Noise dBa	Weight g
		12	24		M ³ /Min.	CFM	MM	INCH		
F6025S-H	12/24	75	40	2,400	0.33	12	2.25	0.09	22	63
F6025L-H	12/24	85	45	3,000	0.39	14	3.50	0.14	25	63
F6025M-H	12/24	95	55	3,600	0.48	17	5.00	0.20	28	63
F6025H-H	12/24	140	80	4,200	0.57	20	6.50	0.26	32	63
F6025E-H	12/24	230	125	5,000	0.67	24	8.00	0.32	37	63
F6025X-H	12/24	330	170	5,800	0.79	28	9.25	0.37	42	63

