

DO NOT SCALE FROM THIS PRINT

PLCC-0XX-XX-X-XX

No OF POSITIONS
(SEE TABLE 1 "XX")

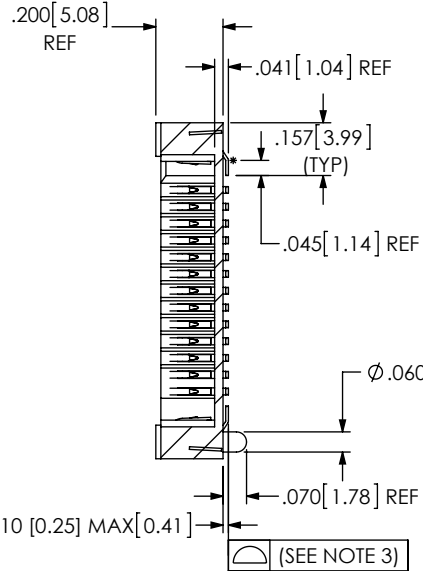
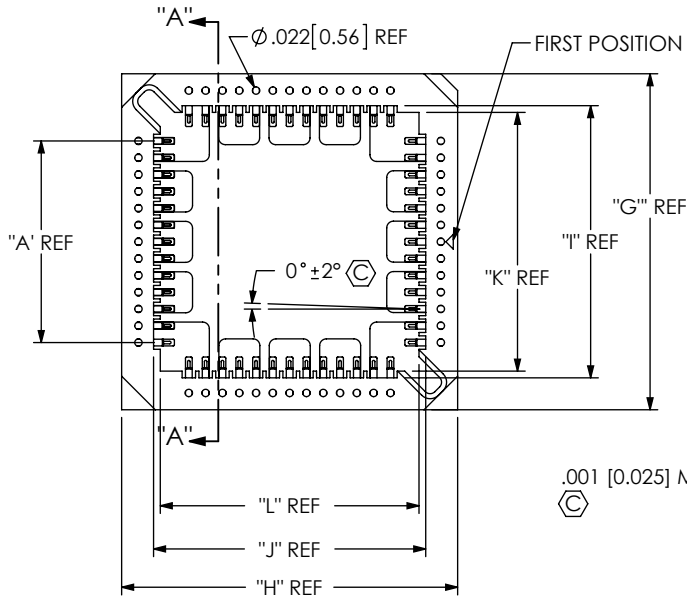
PACKAGING OPTION
BLANK: PACKAGING TUBE
(SEE SHT 2, PACKAGING TUBE SPEC)
-TR: TAPE AND REEL
(SEE SHT 2, TAPE AND REEL SPEC)

PLATING SPECIFICATIONS

- T: MATTE TIN CONTACT AND TAIL
- F: 3μ" FLASH SELECTIVE GOLD CONTACT AREA, MATTE TIN ON TAIL
- TM: MATTE TIN CONTACT AND TAIL
- FM: 3μ" FLASH SELECTIVE GOLD IN CONTACT AREA, MATTE TIN ON TAIL

OPTION

- A: ALIGNMENT PIN
(SPECIFY -A IN BODY SPEC -X IN TABLE 1)
(AVAILABLE ON -032 AND -044 ONLY)
- N: NO ALIGNMENT PIN
(SPECIFY -N IN BODY SPEC -X IN TABLE 1)



SECTION "A"-"A"
SCALE 1.75 : 1

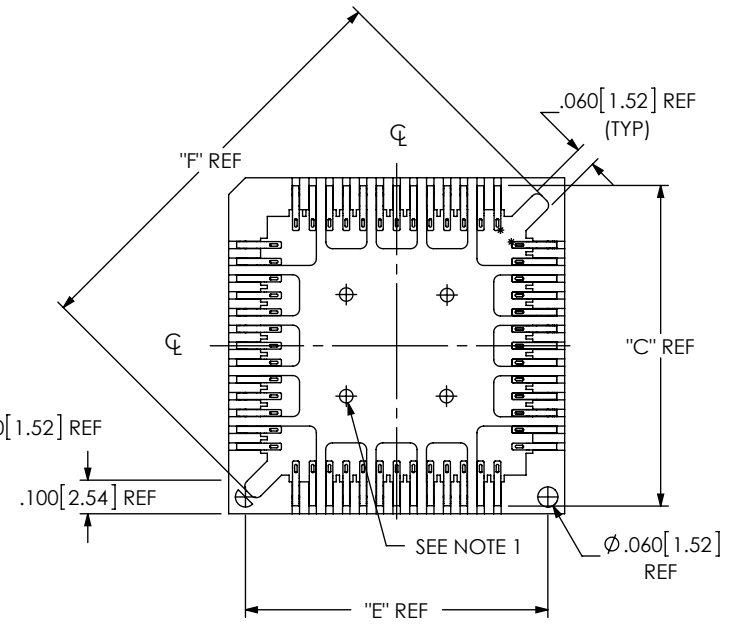


TABLE 1

"XX"	BODY SPEC	TUBE	PLUG	"A"	"B"	"C"	"D"	"E"	"F"	"G"	"H"	"I"	"J"	"K"	"L"	CONTACT
20	PLCC-20-X	PT-1-24-06-51	TP-13	4	04	.555 [14.10]	.555 [14.10]	.500 [12.70]	.675 [17.15]	.600 [15.24]	.600 [15.24]	.410 [10.41]	.410 [10.41]	.370 [9.40]	.370 [9.40]	C-46-XX
28	PLCC-28-X	PT-1-24-01-51	TP-13	6	06	.655 [16.64]	.655 [16.64]	.600 [15.24]	.818 [20.78]	.700 [17.78]	.700 [17.78]	.510 [12.95]	.510 [12.95]	.470 [11.94]	.470 [11.94]	C-46-XX
32	PLCC-32-X	PT-1-24-01-51	TP-13	8	08	.655 [16.64]	.755 [19.18]	.700 [17.78]	.890 [22.61]	.700 [17.78]	.800 [20.32]	.510 [12.95]	.610 [15.49]	.470 [11.94]	.570 [14.48]	C-46-XX
44	PLCC-44-X	PT-1-24-02-51	TP-13	10	10	.855 [21.72]	.855 [21.72]	.800 [20.32]	1.100 [20.32]	.900 [22.86]	.900 [22.86]	.710 [18.03]	.710 [18.03]	.670 [17.02]	.670 [17.02]	C-46-XX
68	PLCC-68-X	PT-1-24-04-51	TP-13	16	16	1.155 [29.34]	1.155 [29.34]	1.100 [27.94]	1.525 [38.74]	1.200 [30.48]	1.200 [30.48]	1.010 [25.65]	1.010 [25.65]	.970 [24.64]	.970 [24.64]	C-46-XX

NOTES:

1. Ø.0400 [1.016] X .030 [0.76] HIGH STANDOFFS ON -32 POSITION ONLY (TYP 4 PLCS)
2. ⊙ REPRESENTS A CRITICAL DIMENSION.
3. PLANARITY IS .008 [0.20] FOR -52, -68 & -84
PLANARITY IS .006 [0.15] FOR -20, -28, -32, & -44

UNLESS OTHERWISE SPECIFIED, DIMENSIONS ARE IN INCHES.

TOLERANCES ARE:

DECIMALS ANGLES
.XX: ±.01[0.3] 2°
.XXX: ±.005[0.13]
.XXXX: ±.0020[0.051]

PROPRIETARY NOTE
THIS DOCUMENT CONTAINS CONFIDENTIAL AND PROPRIETARY INFORMATION AND ALL DESIGN, MANUFACTURING, REPRODUCTION, USE, PATENT RIGHTS AND SALES RIGHTS ARE EXPRESSLY RESERVED BY SAMTEC, INC. THIS DOCUMENT SHALL NOT BE DISCLOSED, IN WHOLE OR PART, TO ANY UNAUTHORIZED PERSON OR ENTITY NOR REPRODUCED, TRANSFERRED OR INCORPORATED IN ANY OTHER PROJECT IN ANY MANNER WITHOUT THE EXPRESS WRITTEN CONSENT OF SAMTEC, INC.



520 PARK EAST BLVD, NEW ALBANY, IN 47150
PHONE: 812-944-6733 FAX: 812-948-5047
e-Mail: info@SAMTEC.com code 55322

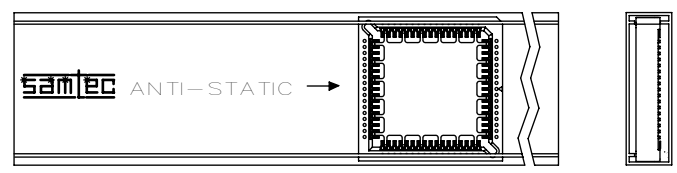
MATERIAL: DO NOT SCALE DRAWING SHEET SCALE: 2:1

CELANESE, VECTRA E130 UL RATED 94V-O
COLOR: BLACK
25% MAXIMUM REGRIND
CONTACT: BeCu 172 SHM TEMPER

DESCRIPTION: PLCC ASSEMBLY

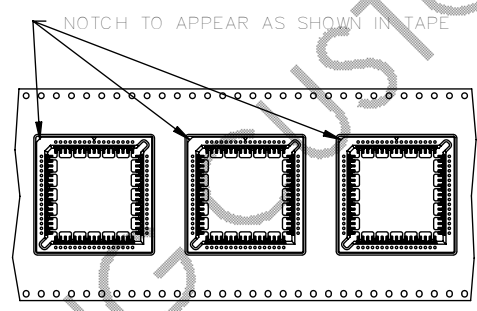
DWG. NO. PLCC-0XX-XX-X-XX

BY: KOLB 09/12/1991 SHEET 1 OF 2



-A: ALIGNMENT PIN
 -N: NO ALIGNMENT PIN

POSITION PARTS IN TUBE WITH THE LOGO'S ARROW POINTING TOWARD THE FIRST POSITION INDICATOR AS SHOWN ABOVE



PARTS TO BE POSITIONED IN TAPE AS SHOWN

EXISTING CUSTOMERS ONLY

PROPRIETARY NOTE
 THIS DOCUMENT CONTAINS CONFIDENTIAL AND PROPRIETARY INFORMATION AND ALL DESIGN, MANUFACTURING, REPRODUCTION, USE, PATENT RIGHTS AND SALES RIGHTS ARE EXPRESSLY RESERVED BY SAMTEC, INC. THIS DOCUMENT SHALL NOT BE DISCLOSED, IN WHOLE OR PART, TO ANY UNAUTHORIZED PERSON OR ENTITY NOR REPRODUCED, TRANSFERRED OR INCORPORATED IN ANY OTHER PROJECT IN ANY MANNER WITHOUT THE EXPRESS WRITTEN CONSENT OF SAMTEC, INC.

DO NOT SCALE DRAWING
 SHEET SCALE: 2:1

samtec
 520 PARK EAST BLVD, NEW ALBANY, IN 47150
 PHONE: 812-944-6733 FAX: 812-948-5047
 e-Mail info@SAMTEC.com code 55322

DESCRIPTION: PLCC ASSEMBLY

DWG. NO. PLCC-0XX-XX-X-XX

BY: KOLB 09/12/1991 SHEET 2 OF 2