

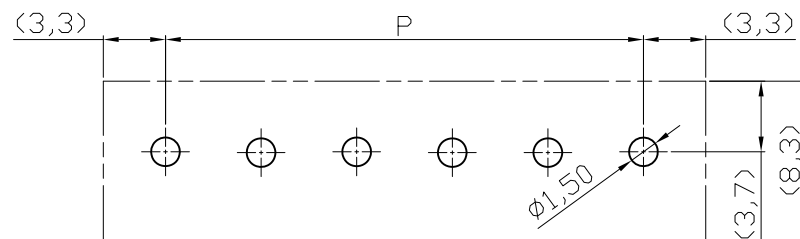
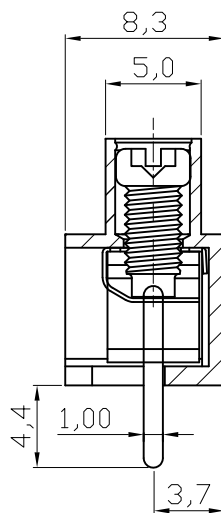
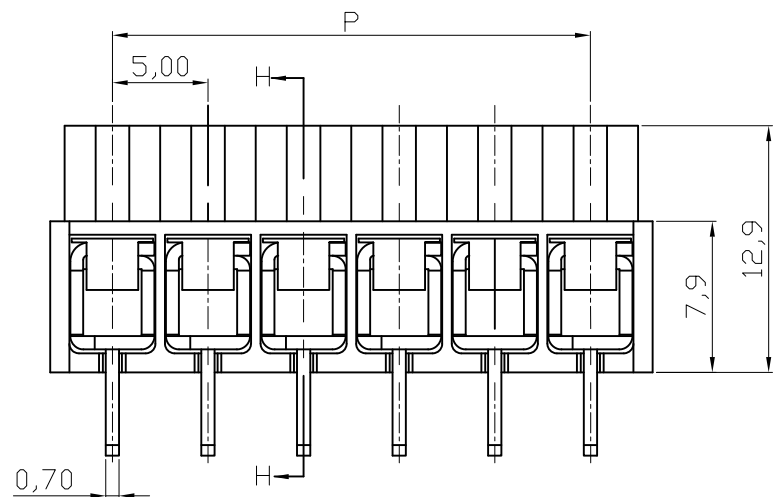
N=Number of poles
 L=Nx5.0
 P=(N-1)x5.0

TOL

| POLES | L | P |
|---------|-------|-------|
| 2p-6p | ±0.20 | ±0.15 |
| 7p-12p | ±0.25 | ±0.20 |
| 13p-18p | ±0.30 | ±0.25 |
| 19p-24p | ±0.40 | ±0.30 |

Material
 Terminal body
 (metal housing): Brass stamped
 Terminal screw: Steel Zinc plating "+/-" slot type
 Wire guard: Stainless steel
 Surface of solder tail: Tin plated
 Insulator (housing): Thermoplastic (UL94V-0), Green

Electrical cULus/VDE
 Voltage rating: 300VAC/450VAC
 Current rating: 10A/17.5
 Wire range: 0.75-4.0mm²
 Solid wire(AWG): 12-20
 Stranded wire(AWG): 12-20
 Torque(Lb-In): 3.5Lb-In/0.4Nm
 Screw: M3
 Wire strip length: 6-7mm
 Withstanding Voltage: 1.6KV/2.5KV
 Operating temperature: -40°C to +115°C
 Soldering temperature: 250°C±10°C/5 Sec
 Safety Approval:



P.C.B. LAYOUT

RoHS compliant

| Scale | 1:1 | | | | Date | Name | Customer-No. |
|-----------|-------|-----|--------------|------------|----------|--------------------|--------------|
| TOLERANCE | | | | | Drawn | 23.08.2004 | Helwig |
| X. | ±0.50 | | | | Approved | 19.04.2010 | Helwig |
| X.X | ±0.30 | | | | | | |
| X.XX | ±0.10 | | | | | | |
| DIM | TOL | ② | Update | 19.04.2010 | Dean | ASSMANN | |
| X.° | ±1° | ① | Drawn | 23.08.2004 | Hellwig | | |
| X.X° | ±X° | ① | Drawn | | | | |
| Angle | TOL | Id. | Modification | Date | Name | Replace | Sheet |

ASSMANN WSW-No.
A-TB500-T4xxSB

Drawing-No.
ASS 0738 CO rev02
 Sheet

