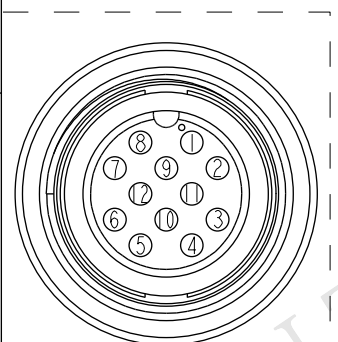
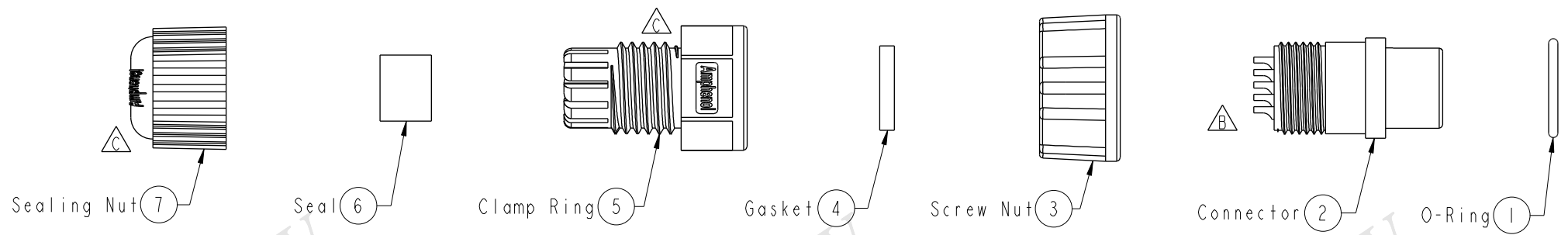
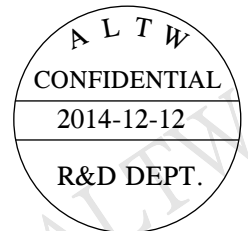
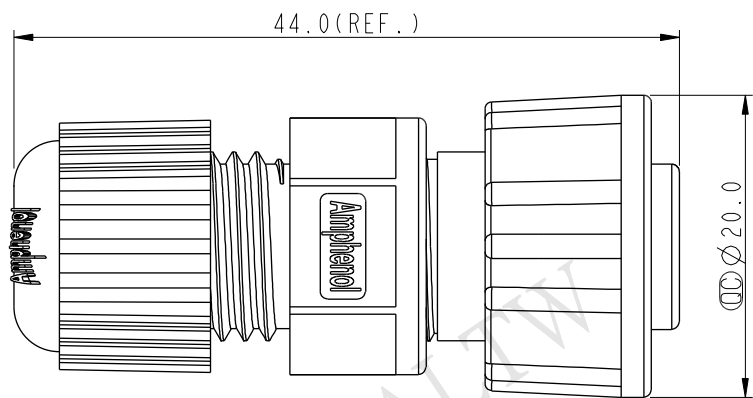


THIS DOCUMENT IS SUBJECT TO CHANGE WITHOUT NOTICE. IT IS CONFIDENTIAL AND A PROPERTY OF Amphenol LTW. DISCLOSURE TO THIRD PARTY HAS TO BE AUTHORIZED BY Amphenol LTW.

REV.	ECN NO.	DATE	SIGN	DESCRIPTION
B	LEN-0C0671	2010/11/26	Ivan	Change View
C	LEN14C0423	2014/12/12	Vicky	Update Logo



Pin Assignments  
Front View



- Note:
- \* Ⓞ Important Dimension To Check.
  - \* Waterproof Rate: IP67
  - \* Housing: Nylon+GF, Black
  - \* Female Pin: Copper Alloy, Gold Plated
  - \* O-Ring: EPDM, Black
  - \* Screw Nut: Nylon+GF, Black
  - \* Gasket: EPDM, Black
  - \* Clamp Ring: Nylon, Black
  - \* Seal: EPDM, Black
  - \* Sealing Nut: Nylon, Black
  - \* Seal For Cable OD:  $\varnothing 4.5\text{mm} \sim \varnothing 6.5\text{mm}$   
(防水墊圈線徑:  $\varnothing 4.5\text{mm} \sim \varnothing 6.5\text{mm}$ )
  - \* One Set Unassembled In One PE Bag  
(每一組未組裝, 放置於一個PE袋, 並封口)

UNIT: mm		TITLE Standard Assy Screw 12Pin F Conn F Pin			<h1>Amphenol LTW</h1> 安費諾亮泰企業股份有限公司	ITEM NO BU-12BFFA-SL7001	DRAWN BY Vicky	DATE 2014-12-12
		TOLERANCE .X ±0.25 .XX ±0.1 .XXX ±0.05 ANGLES ±1°	SCALE 5:4	SIZE A4		SHEET 1 OF 1	DWG NO BU-12BFFA-SL7001	CHECKED BY Sam
		REV. C	WC-REV. A.2	Ⓞ: Inspection item	CUSTOMER ALTW	APPROVED BY Rita	DATE 2014-12-12	