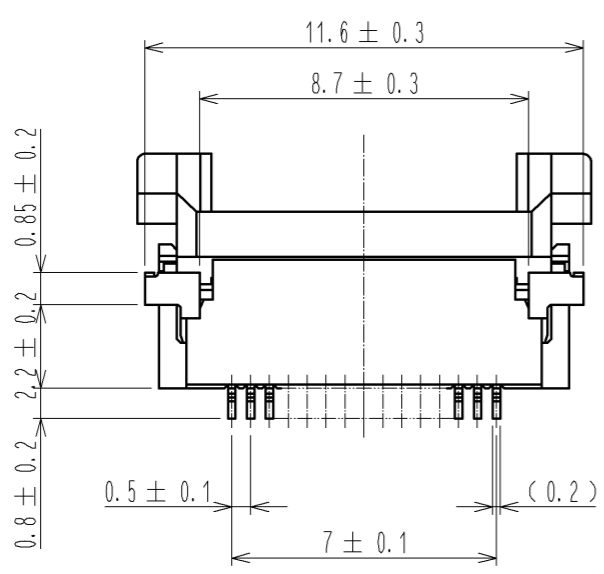
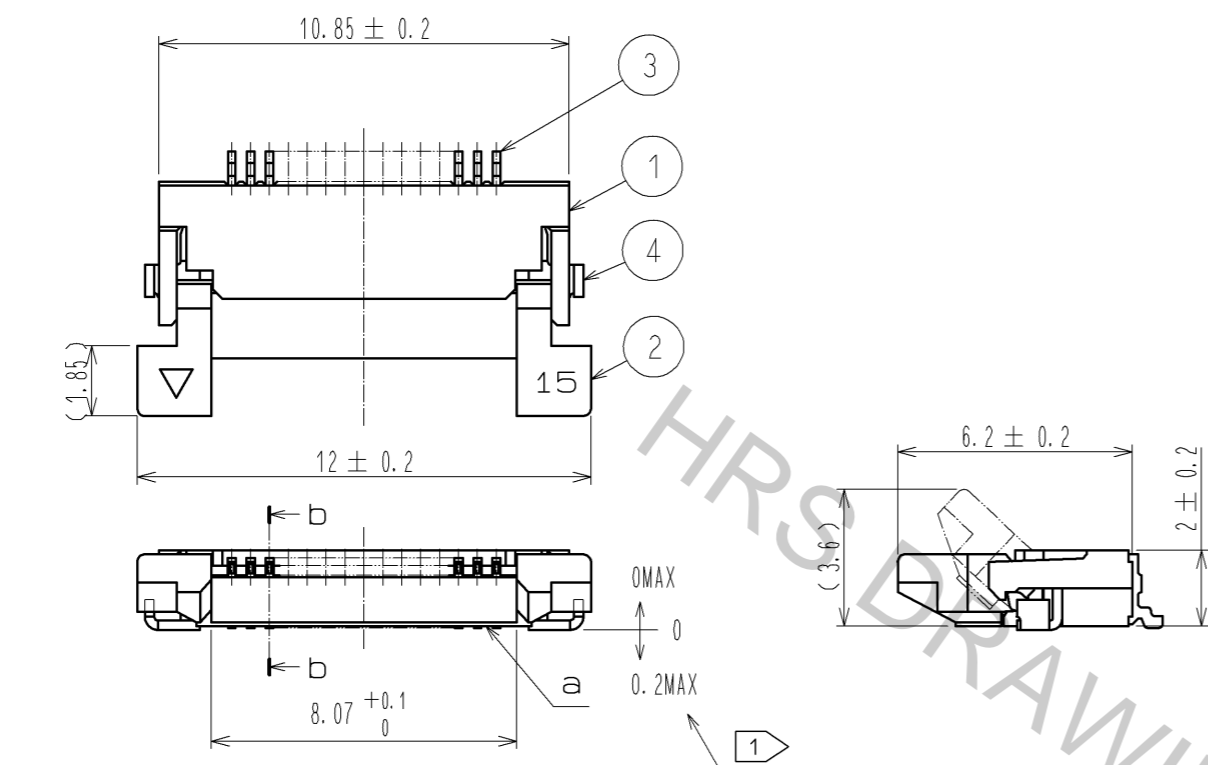
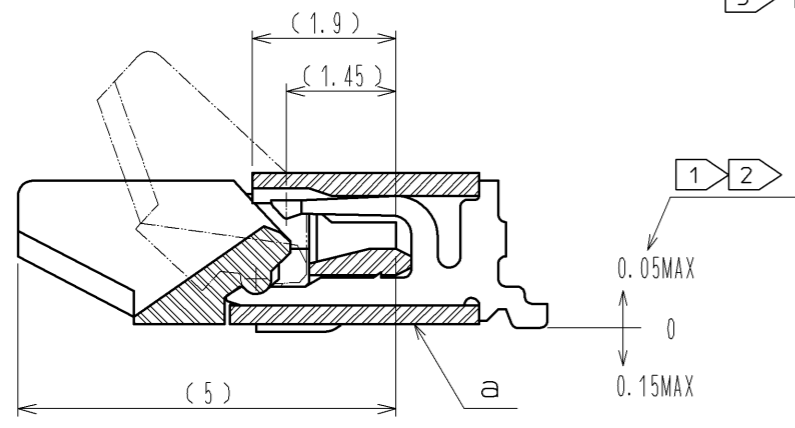


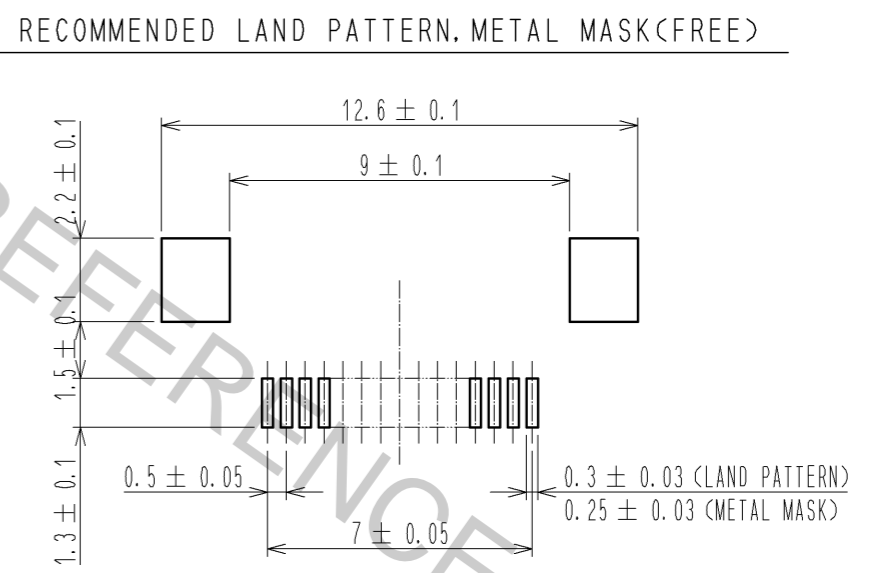
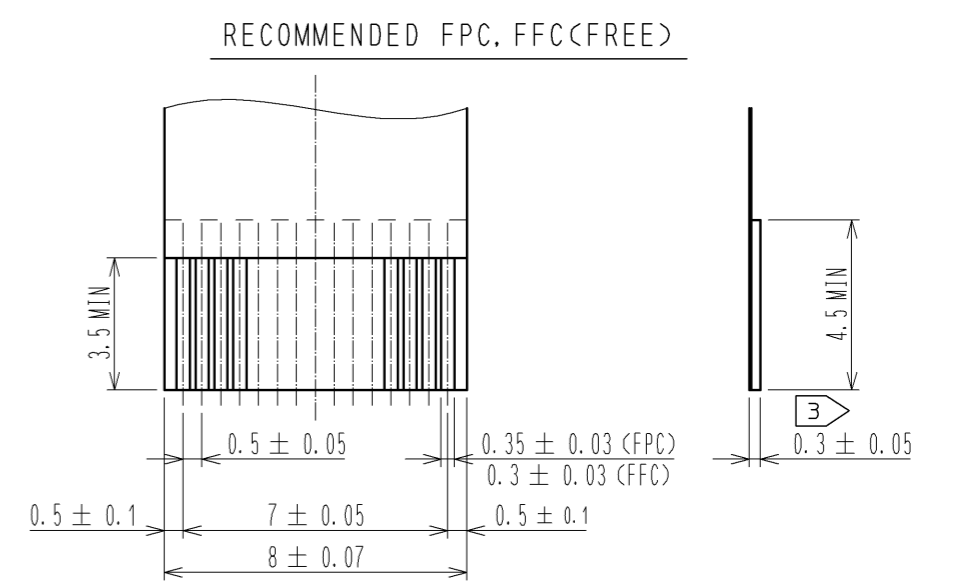
Apr.1.2017 Copyright 2017 HIROSE ELECTRIC CO., LTD. All Rights Reserved.



b-b (10 : 1)



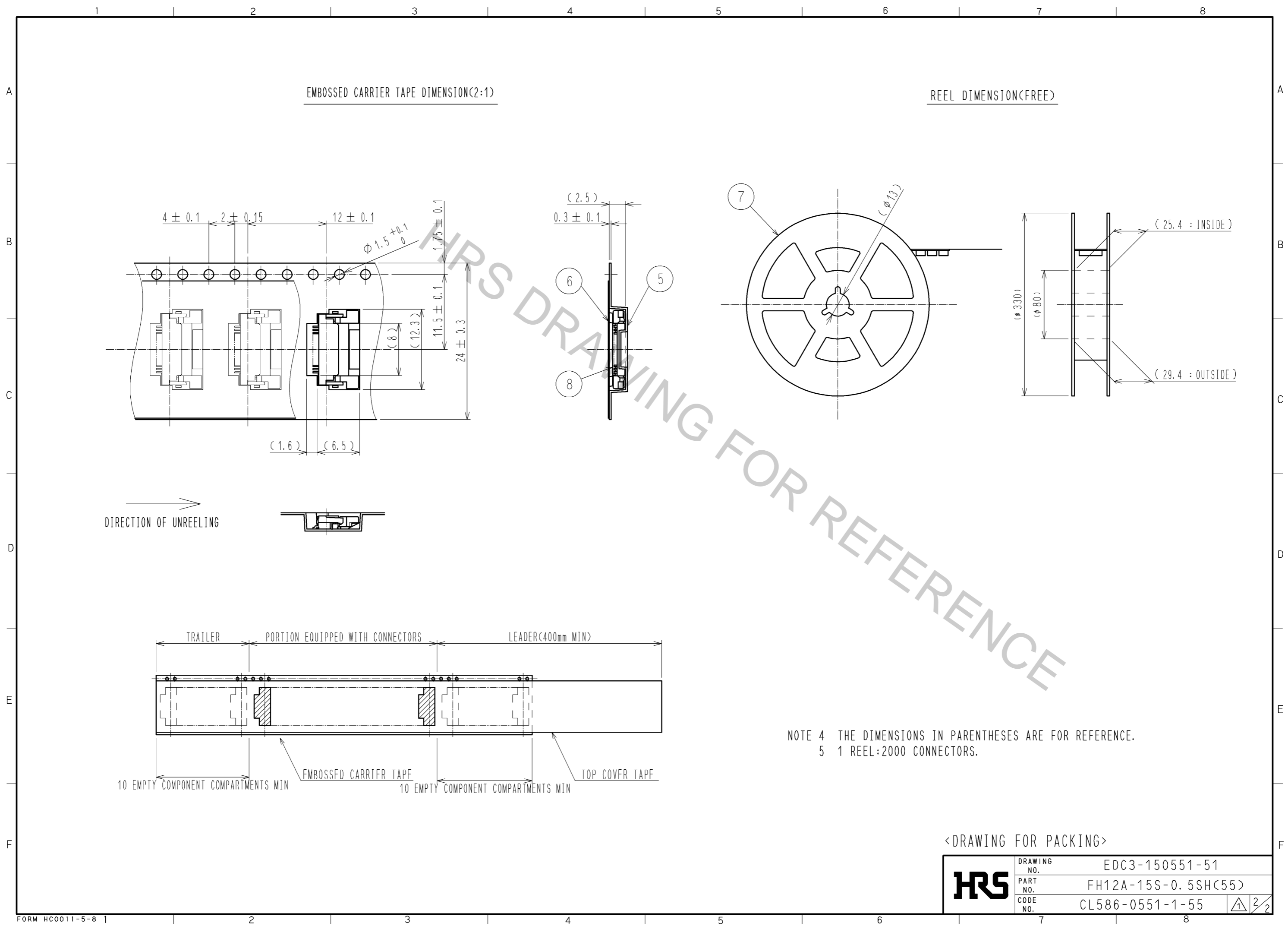
NOTE  $\triangle$  ① REFERENCE IS a.  
 ② LEAD CO-PLANARITY SHALL BE 0.1 MAX.  
 ③ THICKNESS OF SUPPORTING TAPE SHALL BE 0.188(7.5mil) MIN.



RECOMMENDED METAL MASK THICKNESS t=0.15

4	BRASS	TIN PLATING 1 $\mu$ mMIN OVER NICKEL 1 $\mu$ mMIN.	8	(CONNECTOR)			
3	PHOSPHOR BRONZE	GOLD PLATING 0.05 $\mu$ mMIN OVER NICKEL 1 $\mu$ mMIN.	7	POLYSTYRENE			
2	PPS	DEEP BROWN UL94V-0	6	POLYESTER			
1	POLYAMIDE	BEIGE UL94V-0	5	POLYSTYRENE			
NO.	MATERIAL	FINISH . REMARKS	NO.	MATERIAL	FINISH . REMARKS		
UNITS	$\odot$ $\square$	SCALE	COUNT	DESCRIPTION OF REVISIONS	DESIGNED	CHECKED	DATE
mm		5 : 1	1	DIS-F-003410	MK. YASUMI	FN. TAMURA	09.12.11
APPROVED : RI. TAKAYASU		08.09.02		DRAWING NO.		EDC3-150551-51	
CHECED : HS. SAKAMOTO		08.09.01		PART NO.		FH12A-15S-0.5SH(55)	
DESIGNED : MK. YASUMI		08.08.26		CODE NO.		CL586-0551-1-55	
DRAWN : MK. YASUMI		08.08.26					

Apr.1.2017 Copyright 2017 HIROSE ELECTRIC CO., LTD. All Rights Reserved.



NOTE 4 THE DIMENSIONS IN PARENTHESES ARE FOR REFERENCE.  
 5 1 REEL: 2000 CONNECTORS.

<DRAWING FOR PACKING>

<b>HRS</b>	DRAWING NO.	EDC3-150551-51
	PART NO.	FH12A-15S-0.5SH(55)
	CODE NO.	CL586-0551-1-55
		2/2