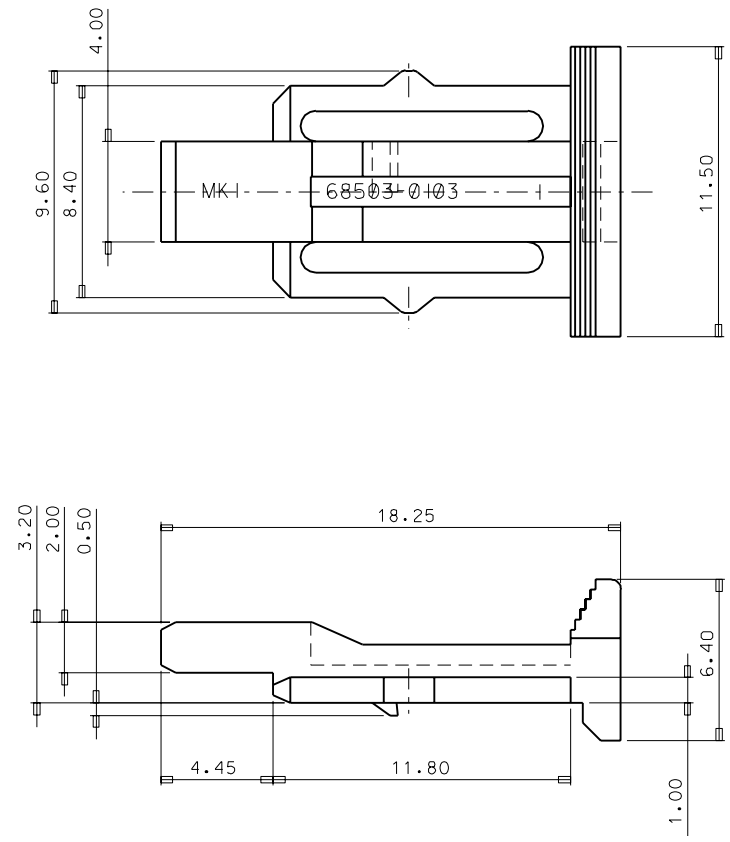
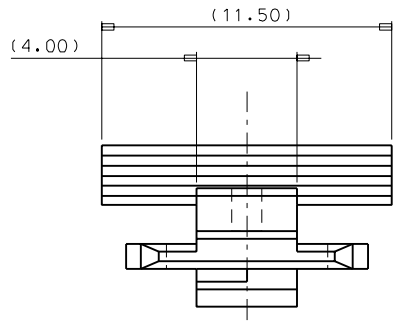


DO NOT SCALE DRAWING
DIMENSION IN METRIC

B
C
PROJECT NO.
SIMILAR ITEM
DWG. NO. SD-68503-006

NOTES

1. MATERIAL : POLYAMIDE(NYLON 66),YELLOW
2. APPLICATION : OBD M/HSG 16P (ENG.NO.:68503-1602)



	685030103	68503-0103
NO.	MATERIAL NO.	ENG. NO.

RELEASED MANUFACTURING EC NO.: KOR2002-0057 DRWN: H.C.RHO 2001/12/29 CHK: H.C.RHO 2001/12/29 APPR: C.W.LEE 2001/12/29	QUALITY SYMBOLS	GENERAL TOLERANCES: (UNLESS SPECIFIED)	SCALE 5:1	DESIGN UNITS <input checked="" type="checkbox"/> mm <input type="checkbox"/> INCH	THIRD ANGLE PROJECTION	DIMENSIONS: <input type="checkbox"/> mm <input type="checkbox"/> INCH <input checked="" type="checkbox"/> mm ONLY	SHT	REV		
	MAJOR		mm	INCH						
	CRITICAL		±0.	±.						
			±0.1	±.						
REV	DESCRIPTION	ANGULAR: ± 1°	DRAWN BY & DATE H.C.RHO 011229		TITLE: OBD PLUG CPA					
A		DRAFT WHERE APPLICABLE MUST REMAIN WITHIN DIMENSIONS	CHECKED BY & DATE H.C.RHO 011229		MOLEX INCORPORATED KOREA					
			APPROVED BY & DATE C.W.LEE 011229		MATERIAL NO. SEE TABLE		DRAWING NO. SD-68503-006			
			CAD FILENAME SOBDCPA		SHEET NO. 1 OF 1		SIZE B			
			THIS DRAWING CONTAINS INFORMATION THAT IS PROPRIETARY TO MOLEX INCORPORATED AND SHOULD NOT BE USED WITHOUT WRITTEN PERMISSION.							