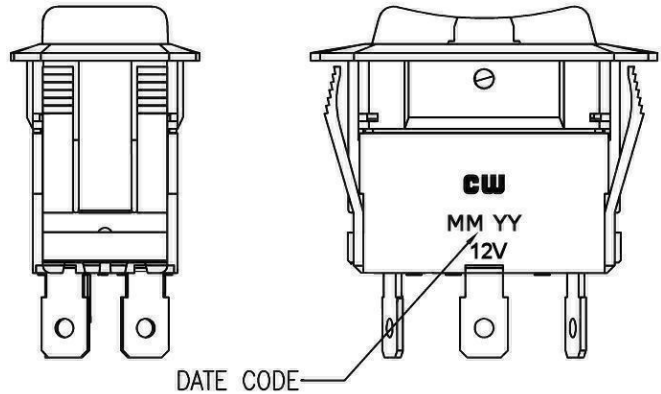
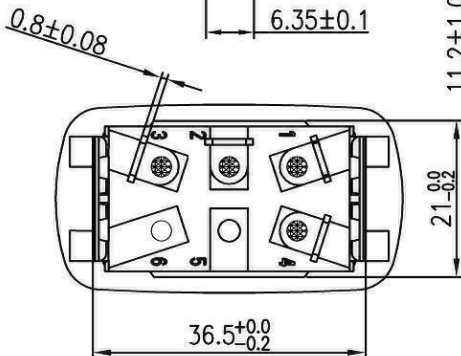
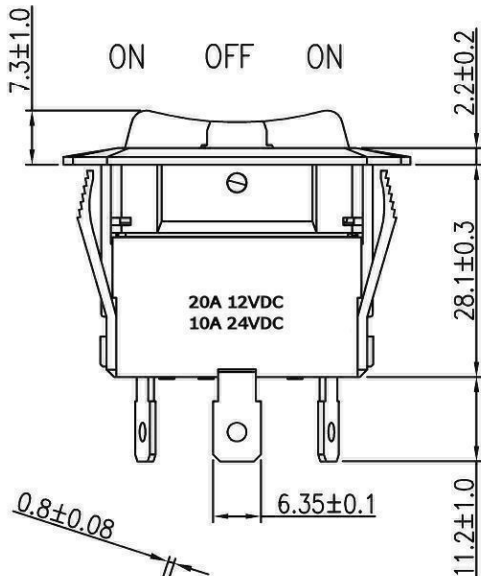
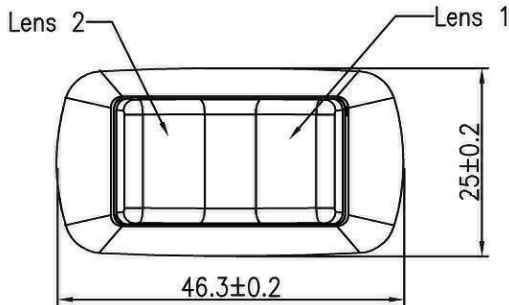


THIS INFORMATION IS CONFIDENTIAL AND PROPRIETARY TO CW INDUSTRIES INCORPORATED AND ITS AFFILIATES. IT MAY NOT BE DISCLOSED TO ANYONE, OTHER THAN CW INDUSTRIES PERSONNEL, WITHOUT WRITTEN AUTHORIZATION FROM CW INDUSTRIES INCORPORATED, SOUTHAMPTON, PENNSYLVANIA USA.

Rating	20A 12VDC 10A 24VDC	Mounting Hole	Circuit Diagram	
Configured For	12VDC 14V			
Contact Resistance	50m ohm Max.			
Insulation Resistance	DC 500V 100M ohm Min.			
Dielectric Strength	AC 1500V 1 minute			
Operation Temperature	-20°~85°	Thickness(mm)	X(mm)	Y(mm)
Switch Function	4P SPDT ON-OFF-ON Lamp Dependent	0.75~1.25	21.2+0.1	36.6 ^{+0.2} ₋₀
		1.25~2.0		36.8 ^{+0.2} ₋₀
		2.0~3.0		37.0 ^{+0.2} ₋₀
Lamp Type	LED 12VDC 14V w/resistor			

*** MATERIAL:**

Frame: Nylon 66, Black
 Actuator: Nylon 66 with 33%GF, Black
 Lens 1: Red, Super bright LED
 Lens 2: Green, Super bright LED
 Water proof and dust proof to fit IP-56



RoHS Compliant

2	Added dependent to function & Lamp Type. 12/13/2011.
1	Removed AC Rating marks and added DC Rating marks.8/23/10

CW INDUSTRIES
 Southampton, Pa. 18966
 Tel 215.355.7080/www.cwind.com

Date Drawn: 5/19/10

Rev. 2

Unit: mm

Checked By: *G. Gold*

Title: **ROCKER SWITCH**

CW P/N: **GRB260D501BBRG1**