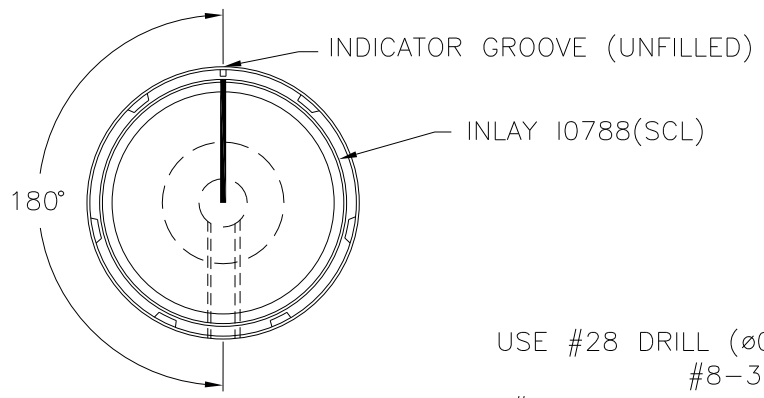
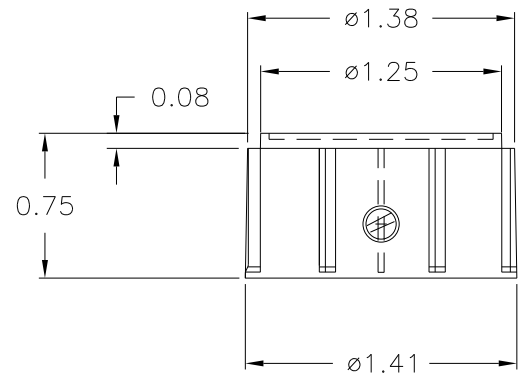


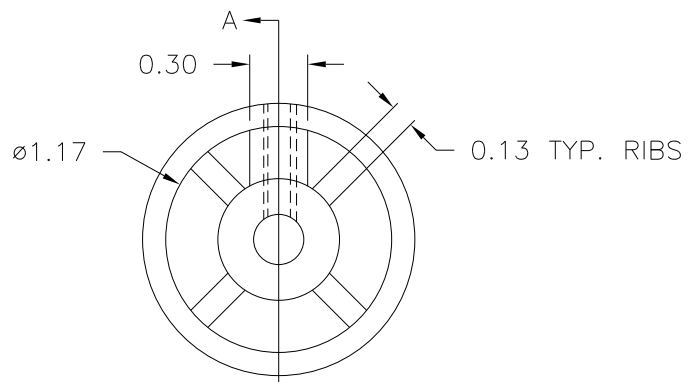
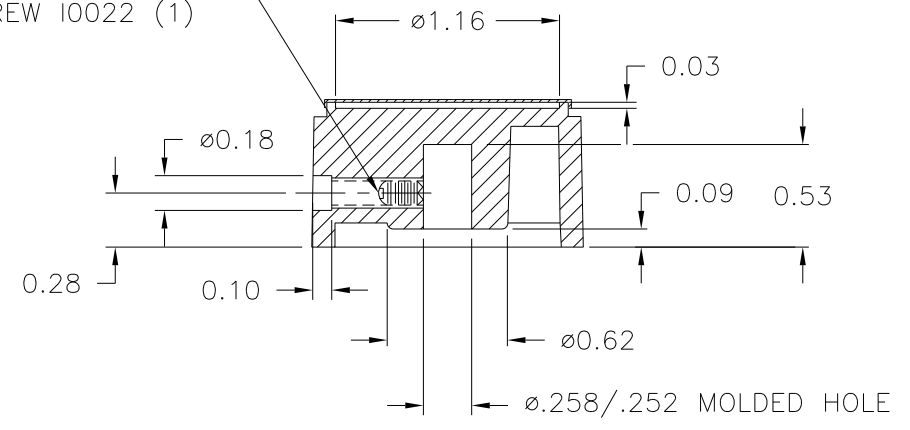
P/N	1206AW
BASE PART	1206-03
SET SCREW	I0022
INLAY CAP	I0788(SCL)



USE #28 DRILL ($\phi 0.140$)
#8-32 TAP
#8-32 THD. X 1/4 LG.
CUP POINTED SLOTTED TYPE
SET SCREW I0022 (1)



SECTION A-A



MATERIAL: G.P. PHENOLIC (B11)
COLOR: BLACK

TOLERANCES: UNLESS OTHERWISE SPECIFIED	DO NOT SCALE DRAWING				
DECIMALS: X.XXX \pm .005 X.XX \pm .015	MM: X.XX \pm 0.15MM X.X \pm 0.4MM				
FRACTIONS \pm 1/64	ANG. \pm 1°	CHANGES			