

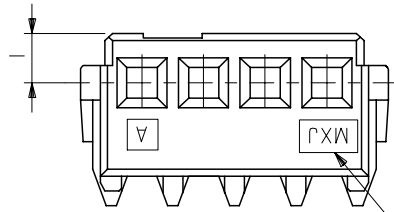
番号 NO.	名称 NAME	原料 MATERIAL	数量 QT'Y	仕上げ FINISH
①	ハウジング HOUSING	ナイロン NYLON	1	UL 94V-0
②	ターミナル TERMINAL	リン青銅 (+0.2) PHOSPHOR BRONZE(+0.2)	N	全体錫メッキ PRE-TINNED

注) NOTES

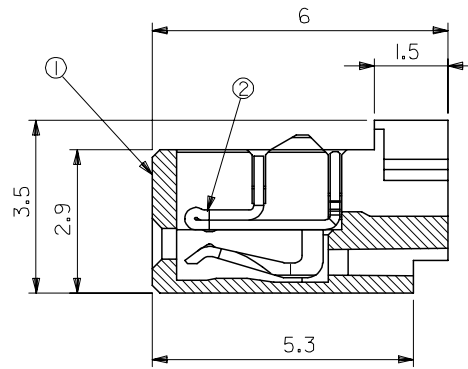
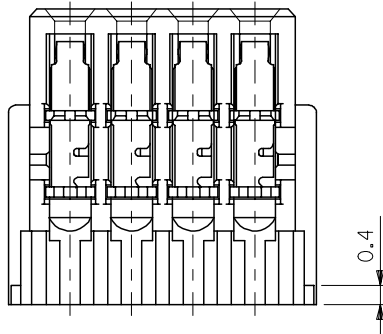
1. 原料および仕上げ : 表参照
MATERIAL AND FINISH : SEE CHART.

△ 製品番号
MATERIAL NO.
54596-***1*

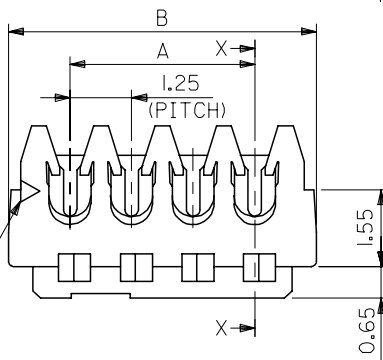
極数	CIRCUIT SIZE(02-20)	色	COLOR	仕上げ	FINISH	
10	10	自然色	NATURAL	12	赤	RED
13	13	黄	YELLOW			



トレードマーク
TRADE MARK



SECTION X-X



1 極目
1 ST. CIRCUIT

26.25	23.75	20	54596-201*
25	22.5	19	54596-191*
23.75	21.25	18	54596-181*
22.5	20	17	54596-171*
21.25	18.75	16	54596-161*
20	17.5	15	54596-151*
18.75	16.25	14	54596-141*
17.5	15	13	54596-131*
16.25	13.75	12	54596-121*
15	12.5	11	54596-111*
13.75	11.25	10	54596-101*
12.5	10	9	54596-091*
11.25	8.75	8	54596-081*
10	7.5	7	54596-071*
8.75	6.25	6	54596-061*
7.5	5	5	54596-051*
6.25	3.75	4	54596-041*
5	2.5	3	54596-031*
3.75	1.25	2	54596-021*

54596-***1*

B	A	極数 CIRCUIT SIZE	製品番号 MATERIAL NO.	MODEL NO.
GENERAL TOLERANCES (UNLESS SPECIFIED)		DIMENSION STYLE MM ONLY	SCALE 10:1	DESIGN UNITS METRIC
10 UNDER	±0.2	DRAWN BY HTAKASE	DATE '99/04/29	TITLE SMALL M12 REC. ASS'Y(SN)
10 OVER 30 UNDER	±0.25	CHECKED BY YIITO	DATE	
30 OVER	±0.3	APPROVED BY HIKESUGI	DATE	
ANGULAR	±3 °	MATERIAL NO.	DOCUMENT NO.	SHEET NO.
DRAFT WHERE APPLICABLE MUST REMAIN WITHIN DIMENSIONS		SEE CHART	SD-54596-004	1 OF 1
THIS DRAWING CONTAINS INFORMATION THAT IS PROPRIETARY TO MOLEX INCORPORATED AND SHOULD NOT BE USED WITHOUT WRITTEN PERMISSION				

WIRE RANGE 適用電線範囲	AWG #26,#28
WIRE RANGE 被覆外径	φ0.8~φ0.9

REVISED
EC NO: J2005-2687
DRWN: HOSOKAWA 2005/03/25
CHKD: TOYODA 2005/03/25
APPR: NUKITA 2005/04/05