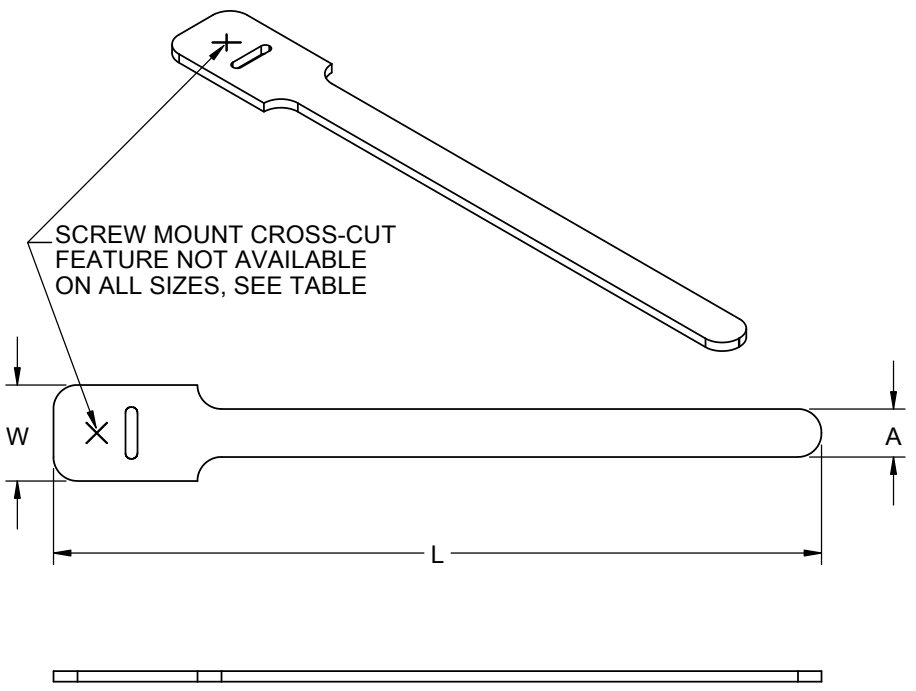
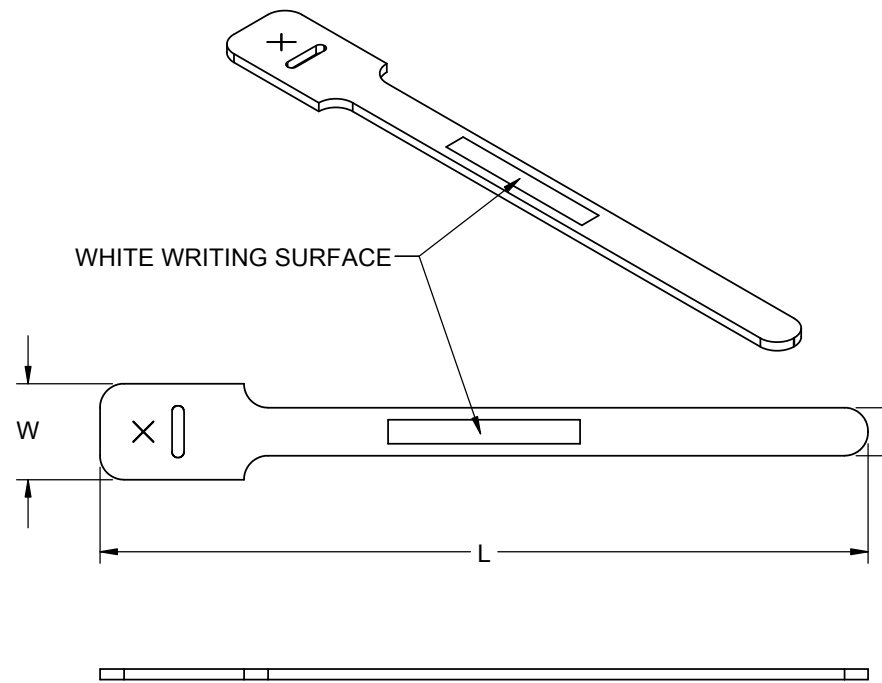


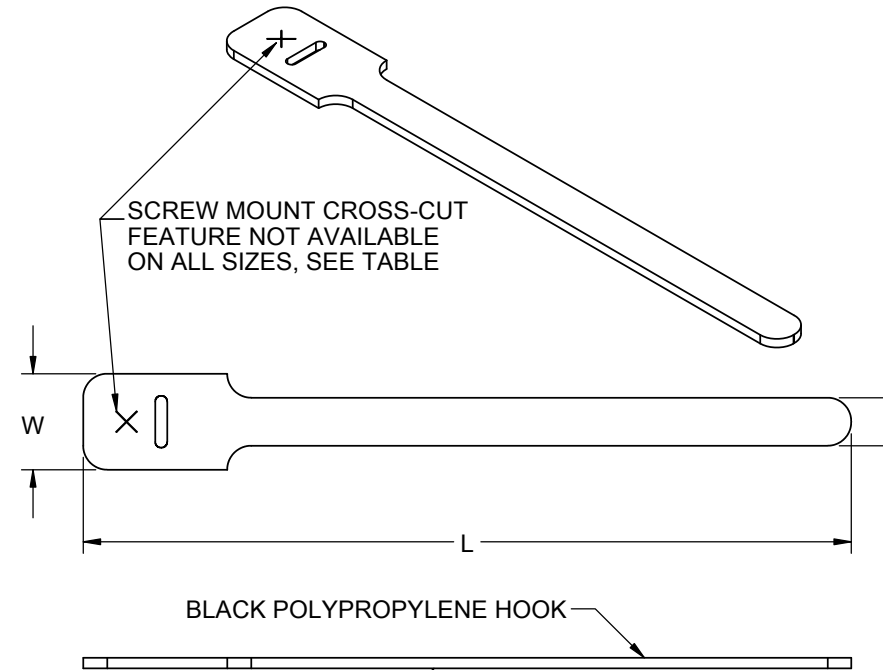
VELCRO® BRAND HOOK & LOOP MATERIAL									SCREW MOUNT FEATURE	L ±.5[12.7]	W ±.13[3.2]	A ±.13[3.2]
LOW DENSITY POLYETHYLENE HOOK & NYLON KNIT LOOP								UL94 V-2 PP HOOK & NYLON KNIT LOOP				
BLACK	BLUE	GREEN	GREY	ORANGE	RED	WHITE	YELLOW	BLACK/MAROON				
RKW-6-6-BK	RKW-6-6-BL	RKW-6-6-GN	RKW-6-6-GY	RKW-6-6-OR	RKW-6-6-RD	RKW-6-6-W	RKW-6-6-YL	-	NO	6.0 [152]	0.75 [19.1]	0.38 [9.5]
RKW-8-6-BK	RKW-8-6-BL	RKW-8-6-GN	RKW-8-6-GY	RKW-8-6-OR	RKW-8-6-RD	RKW-8-6-W	RKW-8-6-YL	RKWPR-8-6	NO			
RKW-8-8-BK	RKW-8-8-BL	RKW-8-8-GN	RKW-8-8-GY	RKW-8-8-OR	RKW-8-8-RD	RKW-8-8-W	RKW-8-8-YL	RKWPR-8-8	YES	8.0 [203]	1 [25.4]	0.5 [12.7]
RKWID-8-8-BK	-	-	-	-	-	-	-	-	YES			
RKW-8-9-BK	RKW-8-9-BL	RKW-8-9-GN	RKW-8-9-GY	RKW-8-9-OR	RKW-8-9-RD	RKW-8-9-W	RKW-8-9-YL	RKWPR-8-9	YES	9.0 [229]	1 [25.4]	0.5 [12.7]
RKW-8-11-BK	RKW-8-11-BL	RKW-8-11-GN	RKW-8-11-GY	RKW-8-11-OR	RKW-8-11-RD	RKW-8-11-W	RKW-8-11-YL	RKWPR-8-11	NO	11.0 [279]		
RKW-8-12-BK	RKW-8-12-BL	RKW-8-12-GN	RKW-8-12-GY	RKW-8-12-OR	RKW-8-12-RD	RKW-8-12-W	RKW-8-12-YL	RKWPR-8-12	YES	12.0 [305]	1.5 [38.1]	0.75 [19.1]
RKW-8-13-BK	RKW-8-13-BL	RKW-8-13-GN	RKW-8-13-GY	RKW-8-13-OR	RKW-8-13-RD	RKW-8-13-W	RKW-8-13-YL	RKWPR-8-13	YES	13.0 [330]		
RKW-12-9-BK	RKW-12-9-BL	RKW-12-9-GN	RKW-12-9-GY	RKW-12-9-OR	RKW-12-9-RD	RKW-12-9-W	RKW-12-9-YL	RKWPR-12-9	YES	9.0 [229]	1.5 [38.1]	0.75 [19.1]
RKW-12-13-BK	RKW-12-13-BL	RKW-12-13-GN	RKW-12-13-GY	RKW-12-13-OR	RKW-12-13-RD	RKW-12-13-W	RKW-12-13-YL	RKWPR-12-13	YES	13.0 [330]		
RKW-12-15-BK	RKW-12-15-BL	RKW-12-15-GN	RKW-12-15-GY	RKW-12-15-OR	RKW-12-15-RD	RKW-12-15-W	RKW-12-15-YL	-	NO	15.0 [381]		
RKW-12-18-BK	RKW-12-18-BL	RKW-12-18-GN	RKW-12-18-GY	RKW-12-18-OR	RKW-12-18-RD	RKW-12-18-W	RKW-12-18-YL	-	NO	18.0 [457]		
RKW-12-24-BK	RKW-12-24-BL	RKW-12-24-GN	RKW-12-24-GY	RKW-12-24-OR	RKW-12-24-RD	RKW-12-24-W	RKW-12-24-YL	-	NO	24.0 [610]		



RKW



RKWID



RKWPR

REV.	DESCRIPTION	ENGR.	DATE
H	COMBINING EXPANDED RKW, RKWID & NEW RKWPR	D.Z.	03.13.2013
G	SEE CO # 200601 FOR CHANGES	D.Z.	11.30.2010
F	SEE ECN # 1263 FOR CHANGES	D.Z.	12.12.2006
E	SE ECN # 538 FOR CHANGES	D.Z.	12.10.2002
D	REMOVED RKS-8-12 TO SEPARATE PRINT	D.Z.	02.26.2002
C	METRIC CONVERSION CORRECTED	D.Z.	12.12.2001
B	CHANGED FILE NUMBER	D.Z.	12.06.2001
A	CHANGED TABLE; ADDED 2 BASE PARTS & DIM "W"	S.M.	02.23.2001

TITLE: HOOK & LOOP CABLE TIES				UNITS: IN [mm]	
CREATED USING SOLIDWORKS	FILE #: RKW	DWN: D.Z.	APP: D.Z.	FINAL	
TOLERANCES UNLESS NOTED .XX=±.020 .XXX=±.015 FRAC.=±1/32 ANG.=±3°	SHEET: 1 OF 1	SHEET SIZE: B	DT: MAR/13/2013	CHKD: -	PART # SEE TABLE
RE: RICHCO INC.	RICHCO, INC. WWW.RICHCO-INC.COM		PRINT TYPE CA		