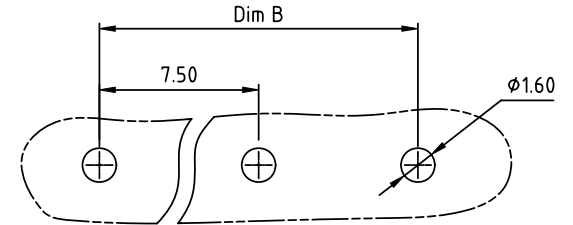
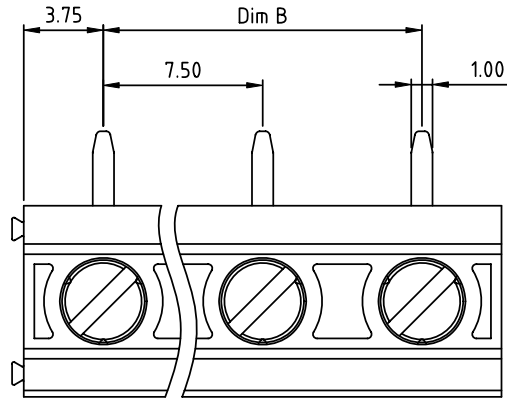
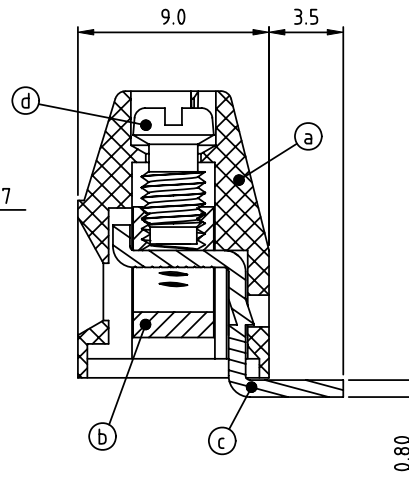
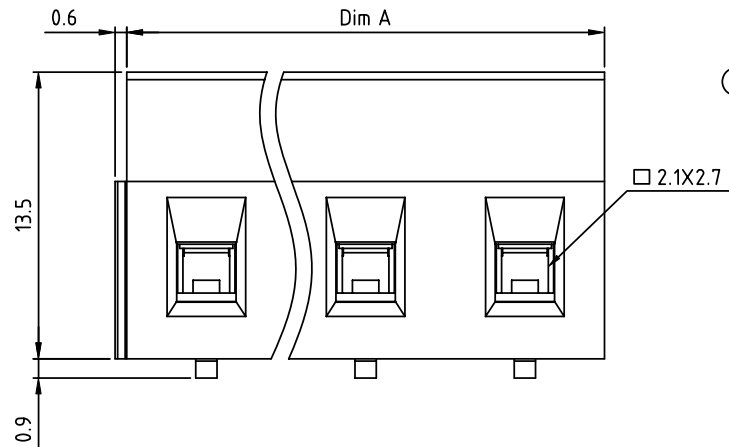


PRODUCT NUMBER	PITCH
Vlxx41x000J0G	7.50 mm



RECOMMENDED P.C.B LAYOUT
TOP VIEW



Material:

- Item ① Terminal housing :Thermoplastic (UL 94V-0)
- Item ② Clamp : Brass ,Ni plated
- Item ③ Solder pin : Brass ,Tin plated
- Item ④ Terminal screw: Steel Zinc plating"-slot type

Electrical cULus/FIMKO

- Voltage rating: 300VAC/300VAC
- Current rating: 16A/17.5A
- Wire range: 1.5mm²
- Solid wire(AWG): 12-28
- Stranded wire(AWG): 12-28
- Torque: 3.5Lb-In./0.5Nm
- Screw: M3
- Wire strip length: 6-7mm
- Withstanding Voltage: 1.6KV/2.5KV
- Operating temperature: -40°C to +115°C
- Soldering temperature: 260°C±5°C/5 Sec
- Safety Approval:

PART NO.: VI xx 4 1 x 0 00J0 G

DIMENSION

Dim A	Nx7.5
Dim B	(N-1)x7.5

N=Number of contacts

Poles	Tolerance
2p-6p	±0.15
7p-12p	±0.25
13p-16p	±0.35

End stackable	No. of poles	Color	RoHS compliant (lead<4%) In copper Alloy
0	2	Black (RAL9005)	
02	2 poles	Red (RAL3001/D)	
03	3 poles	Orange(RAL2011/P)	
...	...	4 Yellow(RAL1018/A)	
16	16 poles	5 Green(RAL6018/T)	
		6 Blue (RAL5015/A)	
		8 Grey(RAL7035/D)	
		9 White(RAL1102)	
		C Green(RAL6018/U)	

mat'l. code		surface ASME Y14.5	tolerance ASME Y14.5	projection	product family TERMINAL BLOCK
ltr	ecn no	dr	date	 MM	title TERMINAL BLOCK
tolerances unless otherwise specified					
angles		X.±0.5		scale	RISING CLAMP,90D WIRE INLET,END STACKABLE
X*±1°		X.X±0.3			
dr		EVIN ZHONG	040914		dwg no Vlxx41x000J0G
enr		EVIN ZHONG	040914		sheet 1 of 1 size A4
chr		HANKE FENG	040914		type CUSTOMER Drawing
appd		SHI JUN	040914		
sheet index	revision sheet	A	1		