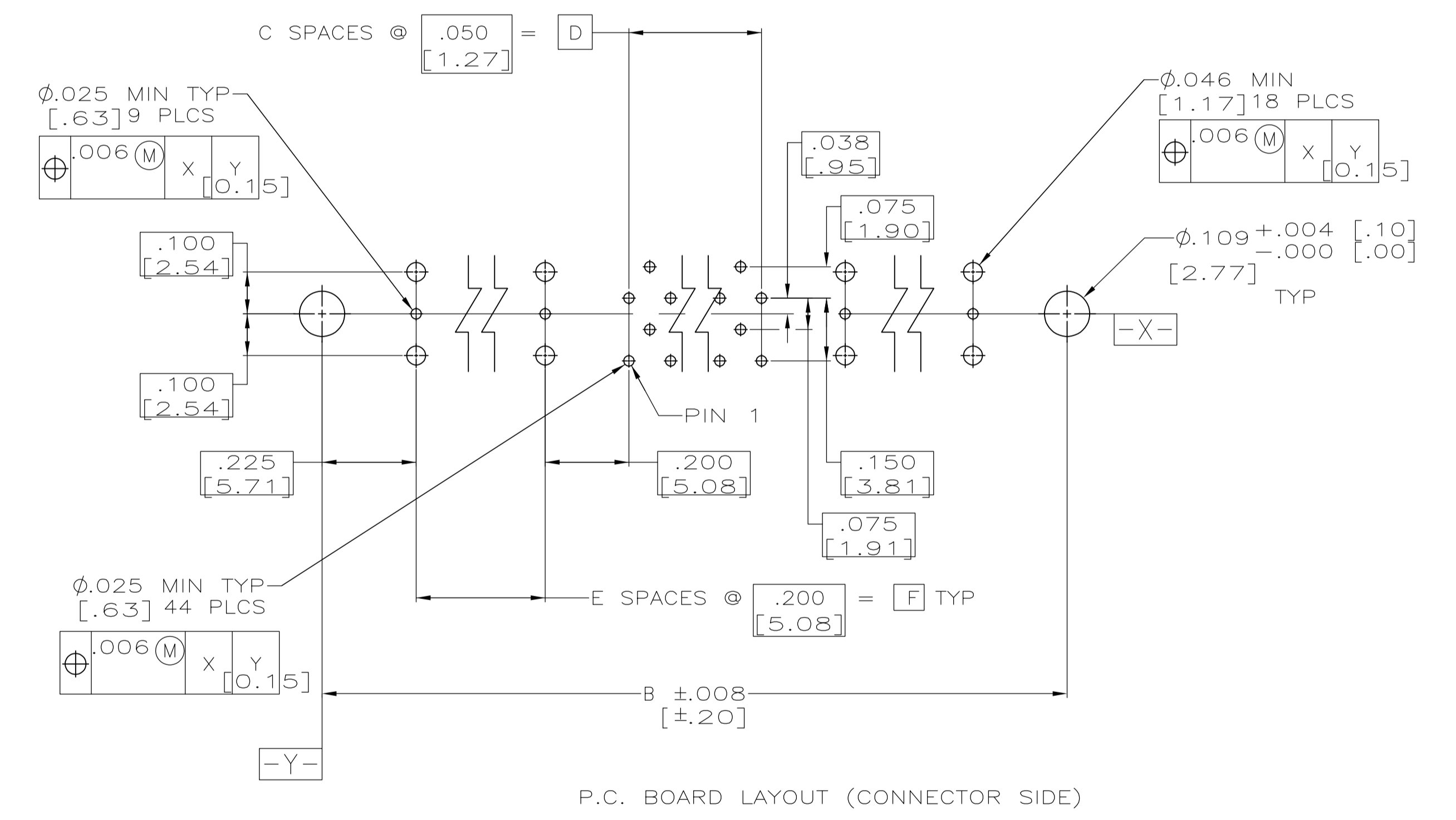
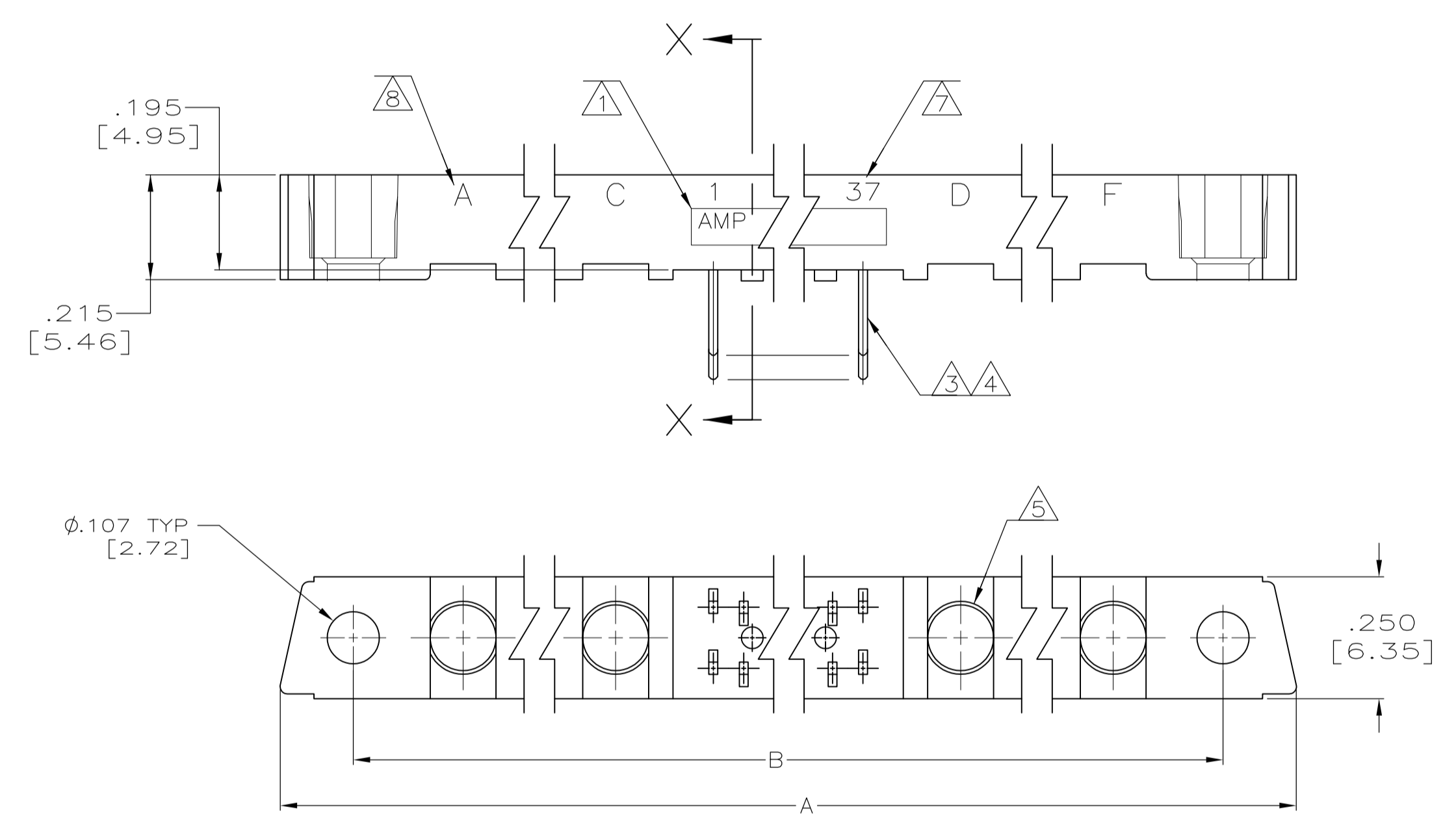
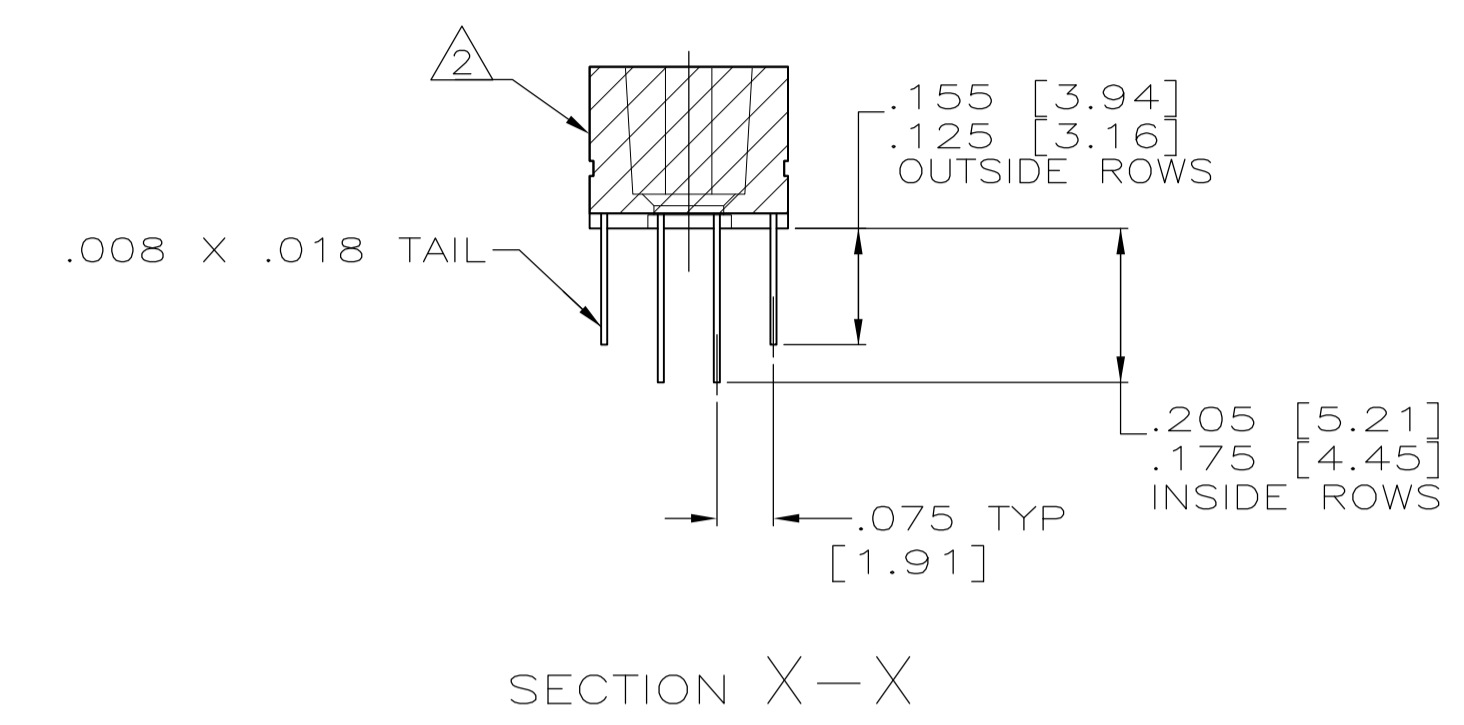
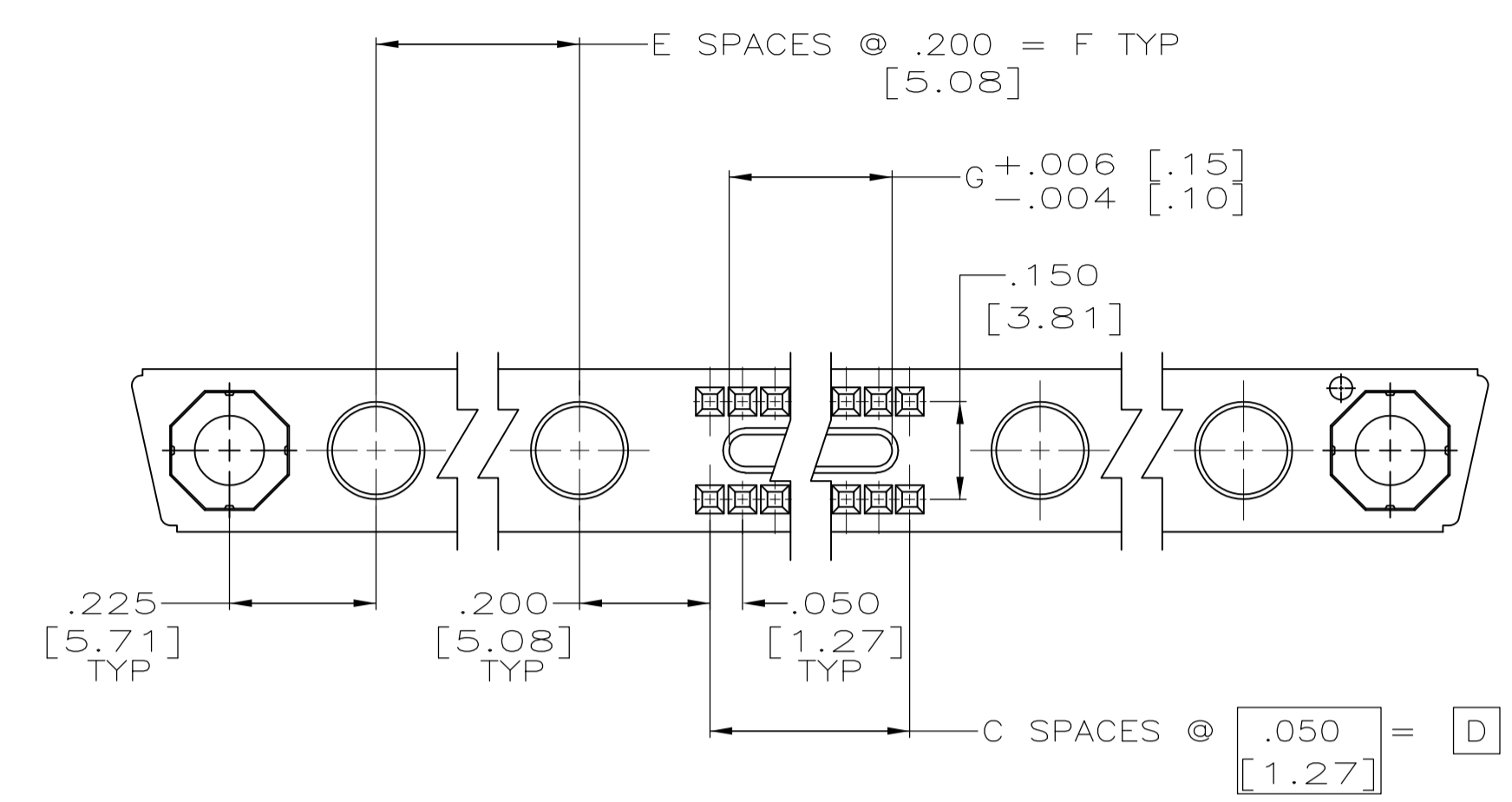


LOC		DIST		REVISIONS			
P	LTR	DESCRIPTION	DATE	DWN	APVD		
H	REV PER ECO	08-009720	27MAY08	PY	JW		



- 1 AMP, AMP PART NO. AND DATE CODE MARKED IN THIS APPROXIMATE AREA.
- 2 HOUSING MATERIAL: LIQUID CRYSTAL POLYMER PER MIL-M-24519, GLCP-30F; COLOR: GRAY.
- 3 CONTACT: MATERIAL = PHOS BRONZE
- 4 PLATED .000030 GOLD IN THE CONTACT AREA, .000100 MIN TIN LEAD ON THE TAILS, ALL OVER .000050 NICKEL UNDER PLATE.
- 5 WILL ACCEPT MICRO-MINATURE COAX CONTACTS PER AMP DATA SHEET 80-600, PC BOARD MOUNTED CONTACTS MUST BE MATED BEFORE SOLDERING, INSERT CONTACTS FROM THIS SIDE UP.
- 6. GROUP "A" INSPECTION PER MIL-C-55302 PERFORMED.
- 7 NUMBERS INDICATING END POSITIONS MARKED THIS SIDE ONLY.
- 8 COAX POSITIONS (A,B,C,D,E,F) MARKED THIS SIDE ONLY.

.700 [17.78]	.400 [10.16]	2	.850 [21.59]	17	2.500 [63.50]	2.790 [70.87]	6	36	531820-3
.450 [11.43]	.400 [10.16]	2	.600 [15.24]	12	2.250 [57.15]	2.540 [64.52]	6	26	531820-2
1.650 [41.91]	.400 [10.16]	2	1.800 [45.72]	36	3.450 [87.63]	3.740 [95.00]	6	74	531820-1
G	F	E	D	C	B	A	NUMBER OF COAX POS.	NUMBER OF BOX POS.	PART NUMBER

THIS DRAWING IS A CONTROLLED DOCUMENT.

DWN: T. ALEXANDER 12-4-91  
 CHK: D. GUTTER 2-6-92  
 APVD: D. GUTTER 2-6-92

NAME: Tyco Electronics Corporation, Harrisburg, PA 17105-3608

PRODUCT SPEC: RECEPTACLE ASSEMBLY, MINI-BOX W/ 6 COAX PORTS AND LOW FORCE CONTACTS

APPLICATION SPEC: -

SIZE: A1  
 CAGE CODE: 00779  
 DRAWING NO: 531820

RESTRICTED TO: -

CUSTOMER DRAWING  
 SCALE: 1:1  
 SHEET: 1 OF 1  
 REV: H