

Apacer

The Most **Reliable**  
Storage For Industries



CFast 2



## CFast 2

### Overview

Since CompactFlash Association released the specification of CFast 2.0, Apacer takes the lead to roll out the first industrial-grade SATA 3.0 (6Gb/s) high-speed transmission interface CFast 2.0 memory card around the globe. Its sequential speed is up to 285/260 MB/sec and dimensions is 42.8mm x 36.4mm x 3.6mm with (7+17) pin connector. Besides featuring a 2-Channel bidirectional structure, the CFast 2.0 adopts Toggle DDR 2.0 NAND Flash, which brings its performance to a higher level. Support for DEVSLP (Device Sleep) power mode enables them to switch into a low power state on standby mode so as to save power for companies.



### Feature

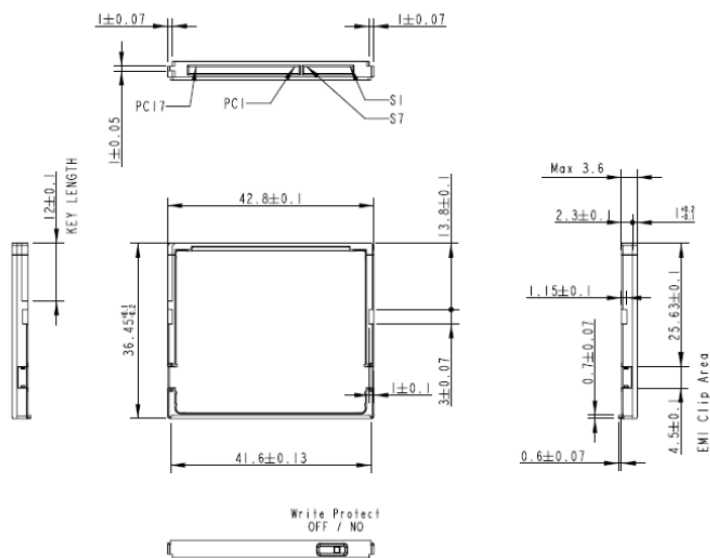
- Compliant with CFast 2.0 specifications
- Built-in ATA Secure Erase and S.M.A.R.T. Functions
- Advanced wear-leveling and Block Management
- Intelligent Power Failure Recovery
- DEVSLP Support (Optional)
- HW Write-Protect Switch (Optional)

## Specifications

<b>Model</b>	CFast 2
<b>Interface</b>	SATA 3.0 (6Gb/s)
<b>Connector</b>	(7+17) pin male
<b>Form Factor</b>	CFast 3.0
<b>NAND Flash Type</b>	SLC
<b>Capacity</b>	4GB~64GB
<b>External DRAM</b>	NA
<b>Sustained Read Performance (MB/sec)</b>	Up to 285
<b>Sustained Write Performance (MB/sec)</b>	Up to 260
<b>ECC Engine</b>	Built-in 40-bit per 1K bytes BCH ECC
<b>Standard Operating Temperature ( °C )</b>	0 ~ + 70
<b>Extended Operating Temperature ( °C )</b>	-40 ~ + 85
<b>Storage Temperature ( °C )</b>	-40 ~ + 100
<b>Shock</b>	Operating Shock: 50G, 11ms Non-operating Shock: 1500G, 0.5ms)
<b>Vibration</b>	Operating Vibration: 7.69 Grms, 20~2000 Hz/random (compliant with MIL-STD-810G) Non-operating Vibration: 15 Grms, 10~2000 Hz/sine (compliant with MIL-STD-810G)
<b>Operating Voltage</b>	3.3 V ± 5%
<b>Power Consumption</b>	Active mode: 500 mA & Idle mode: 90 mA
<b>Dimension (L x W x H )</b>	42.8 x 36.4 x 3.6 (mm)
<b>MTBF (hours)</b>	>2,000,000

## Mechanical Specification

### With Write Protect Switch



For more information, contact your Apacer representative

### Global Presence

Taiwan (Headquarters)  
Apacer Technology Inc.  
Tel: +886-2-2267-8000  
Fax: +886-2-2267-2261

Europe  
Apacer Technology B.V.  
Tel: +31-40-267-0000  
Fax: +31-40-290-0686

U.S.A.  
Apacer Memory America, Inc.  
Tel: +1-408-518-8699  
Fax: 1-510-249-9551

China  
Apacer Electronic(Shanghai)  
Co., Ltd.  
Tel: +86-21-6228-9939

Japan  
Apacer Technology Corp.  
Tel: +81-3-5419-2668  
Fax: +81-3-5419-0018

India  
Apacer Technologies Pvt. Ltd.  
Tel: +91-80-41529061~3  
Fax: +91-80-41700215