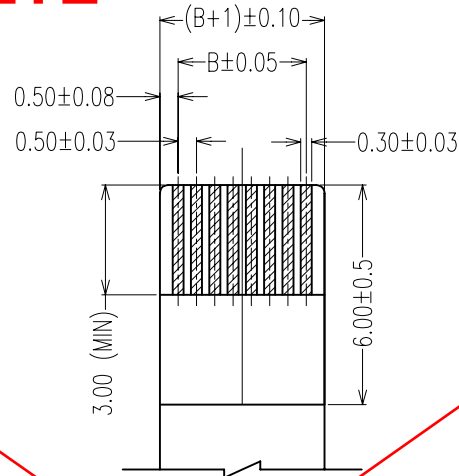
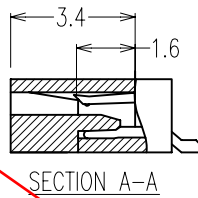
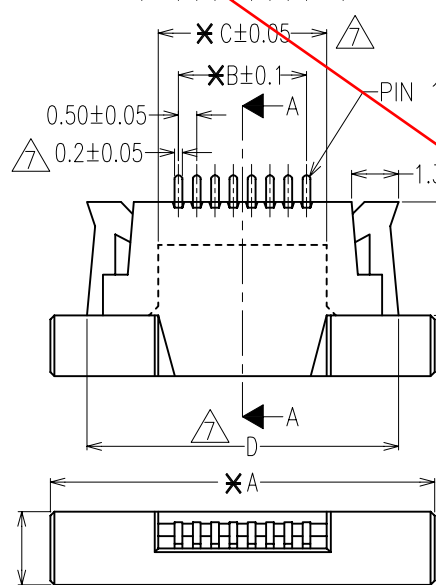
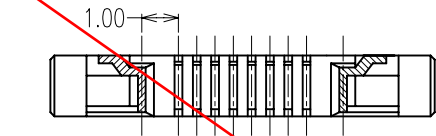
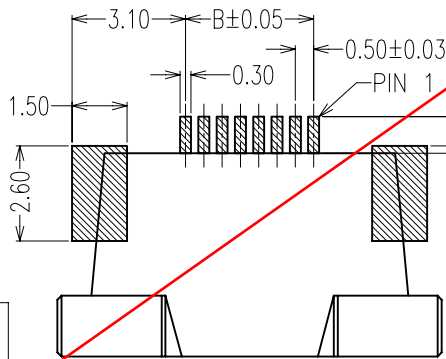
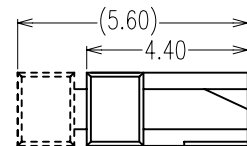


**OBSOLETE**



RECOMMENDED APPLICABLE FPC LAYOUT (THICKNESS: 0.30±0.03)



RECOMMENDED PCB PATTERN DIM.

PIN	A	B	C	D
04	8.50	1.50	2.60	7.1
05	9.00	2.00	3.10	7.6
06	9.50	2.50	3.60	8.1
07	10.00	3.00	4.10	8.6
08	10.50	3.50	4.60	9.1
09	11.00	4.00	5.10	9.6
10	11.50	4.50	5.60	10.1
11	12.00	5.00	6.10	10.6
12	12.50	5.50	6.60	11.1
13	13.00	6.00	7.10	11.6
14	13.50	6.50	7.60	12.1
15	14.00	7.00	8.10	12.6
16	14.50	7.50	8.60	13.1
17	15.00	8.00	9.10	13.6
18	15.50	8.50	9.60	14.1
19	16.00	9.00	10.10	14.6
20	16.50	9.50	10.60	15.1
21	17.00	10.00	11.10	15.6
22	17.50	10.50	11.60	16.1
23	18.00	11.00	12.10	16.6
24	18.50	11.50	12.60	17.1
25	19.00	12.00	13.10	17.6
26	19.50	12.50	13.60	18.1
27	20.00	13.00	14.10	18.6
28	20.50	13.50	14.60	19.1
29	21.00	14.00	15.10	19.6
30	21.50	14.50	15.60	20.1

PIN	A	B	C	D
* 31	22.00	15.00	16.10	20.6
32	22.50	15.50	16.60	21.1
33	23.00	16.00	17.10	21.6
34	23.50	16.50	17.60	22.1
* 35	24.00	17.00	18.10	22.6
36	24.50	17.50	18.60	23.1
* 37	25.00	18.00	19.10	23.6
* 38	25.50	18.50	19.60	24.1
* 39	26.00	19.00	20.10	24.6
40	26.50	19.50	20.60	25.1
41	27.00	20.00	21.10	25.6
* 42	27.50	20.50	21.60	26.1
* 43	28.00	21.00	22.10	26.6
* 44	28.50	21.50	22.60	27.1
45	29.00	22.00	23.10	27.6
* 46	29.50	22.50	23.60	28.1
* 47	30.00	23.00	24.10	28.6
* 48	30.50	23.50	24.60	29.1
* 49	31.00	24.00	25.10	29.6
50	31.50	24.50	25.60	30.1
* 51	32.00	25.00	26.10	30.6
* 52	32.50	25.50	26.60	31.1
* 53	33.00	26.00	27.10	31.6
54	33.50	26.50	27.60	32.1
* 55	34.00	27.00	28.10	32.6
* 56	34.50	27.50	28.60	33.1
* 57	35.00	28.00	29.10	33.6
* 58	35.50	28.50	29.60	34.1
* 59	36.00	29.00	30.10	34.6
60	36.50	29.50	30.60	35.1

SPECIFICATIONS:

MATERIALS:-

HOUSING: HIGH TEMPERATURE THERMOPLASTIC UL94V-0

COLOUR: BLACK

ACTUATOR: HIGH TEMPERATURE THERMOPLASTIC UL94V-0

COLOUR: WHITE

CONTACT: COPPER ALLOY, T=0.2mm

FITTING NAIL: COPPER ALLOY, T=0.2mm

FINISH:-

CONTACT: TIN

FITTING NAIL: TIN

NOTES: ALL DIMENSIONS AND NOTES MARKED \* ARE CRITICAL AND MUST BE CHECKED IN ACCORDANCE WITH QUALITY DOC. Q1-02A

\*PLEASE CONTACT TECHNICAL SALES FOR WAYS WITH \* FOR AVAILABILITY

Allan	7	29.09.09	A240
Allan	6	02.09.09	A232
Allan	5	15.09.08	A161
Allan	4	18.12.07	A099

NAME	ISS.	DATE	C/NOTE
------	------	------	--------

APPROVED: *Pran*

CHECKED:

DRAWN: Allan

CUSTOMER REF.:

ASSEMBLY DRG:

ORDER CODE  
F05E- XX 1146R

NO. OF WAYS

TOLERANCE:

DIMENSIONS	ANGLES
X.X = ±0.30mm	±0°30'
X.XX = ±0.20mm	

**HARWIN**

HARWIN USA  
TEL: 603 893 5376  
FAX: 603 893 5396  
mis@harwin.com

HARWIN Europe (UK)  
TEL: 023 9231 4545  
FAX: 023 9231 4590  
mis@harwin.co.uk

HARWIN Asia  
TEL: +65 6 779 4909  
FAX: +65 6 779 3868  
mis@harwin.com.sg

THIS DRAWING AND ANY INFORMATION OR DESCRIPTIVE MATTER SET OUT HEREON ARE CONFIDENTIAL AND COPYRIGHT PROPERTY OF THE HARWIN GROUP AND MUST NOT BE DISCLOSED, LOANED, COPIED OR USED FOR MANUFACTURING, TENDERING OR FOR ANY OTHER PURPOSE WITHOUT THEIR WRITTEN PERMISSION.

TOLERANCES  
X = ±1mm  
X.X = ±0.25mm  
X.XX = ±0.10mm  
X.XXX = ±0.01mm  
ANGLES = ±5°  
UNLESS STATED

MATERIAL: SEE ABOVE  
FINISH: SEE ABOVE  
S/AREA: mm<sup>2</sup>

TITLE:  
0.5 ZIP FPC SMT R/A TYPE  
TOP CONTACT

DRAWING NUMBER:  
F05E- XX 1146R

SHT  
1  
OF  
1