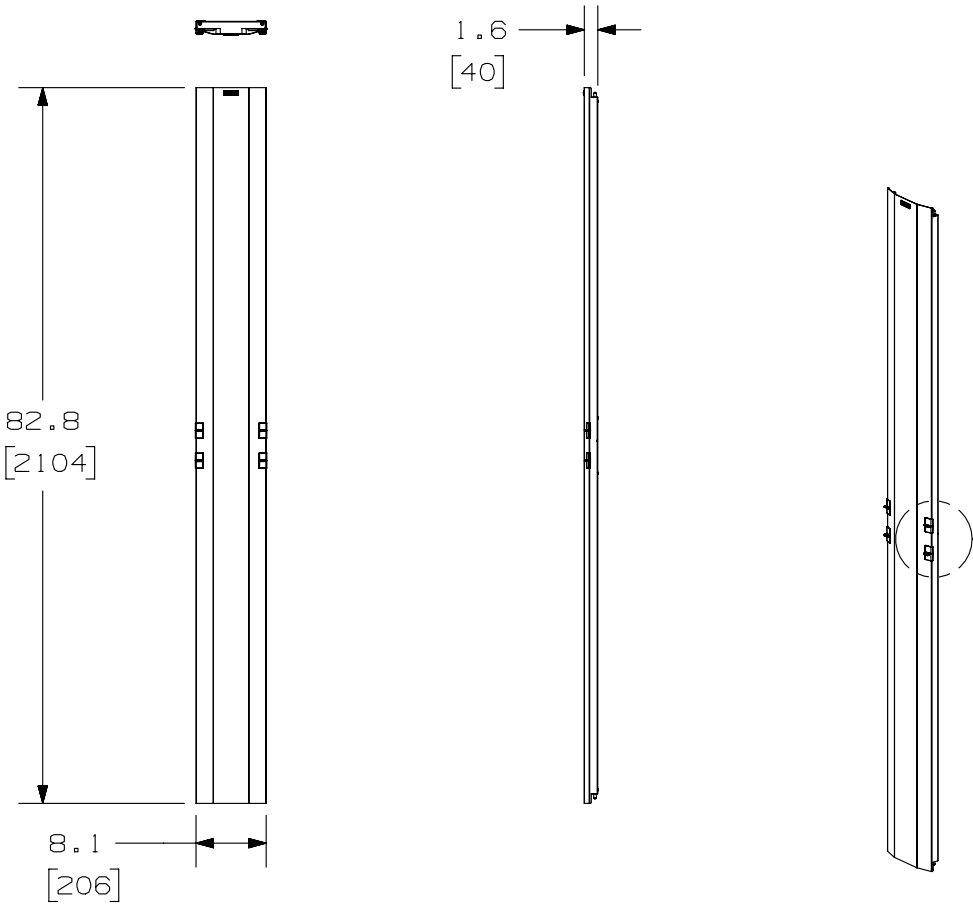
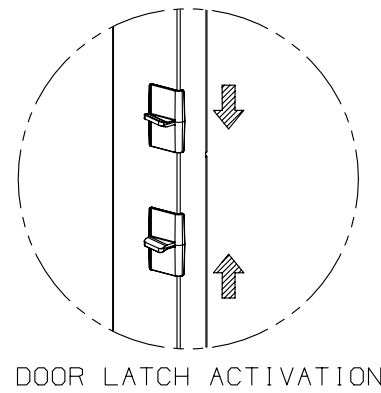


THIS COPY IS PROVIDED ON A RESTRICTED BASIS AND IS NOT TO BE USED IN ANY WAY DETRIMENTAL TO THE INTERESTS OF PANDUIT CORP.



PANDUIT P/N	WEIGHT
PRD8	6 LBS/ EACH (2.7 kg/ EACH)

- NOTES:
- VISIT OUR ON-LINE CATALOG AT WWW.PANDUIT.COM FOR A CURRENT LIST OF PRODUCTS APPLICABLE FOR USE WITH THIS PART.
 - DOORS OPEN TO THE LEFT OR THE RIGHT.
 - DIMENSIONS IN PARENTHESIS ARE METRIC.
 - ALL DIMENSIONS ARE REFERENCE ONLY.
 - ALUMINUM WITH BLACK POWDER COAT FINISH.
 - COMPONENTS:
 1- 8" DOOR
 2- DOOR STOP BRACKETS
 4- #10-32 X 1/2" SCREWS



REV	DATE	BY	CHK	APR	DESCRIPTION	ECN
12A	6-4-13	BAME	FGR	CMK	REVISED TITLE BLOCK	10200-34
R	5-18-04	JDWE			RELEASED TO PRODUCTION	10200-34

TITLE		8" PATCHRUNNER DOOR	
CUSTOMER DRAWING			
ITEM REVISION NAME		V10200AE/12	
DATASET FILE NAME		V10200AE_DC/12A	
UNLESS OTHERWISE SPECIFIED, DIMENSIONAL TOLERANCES ARE: IN (mm)		MATERIAL:	
.X ± .XX ±		ALUMINUM	
.XXX ± ANGLES ±		DRAWING NUMBER:	
THIRD ANGLE PROJECTION		10200-34	
DRAWN BY	DATE	CHK	SCALE
JDWE	5-18-04		NONE
SHT 1 OF 1		SIZE	
		A	

D10100DA/15