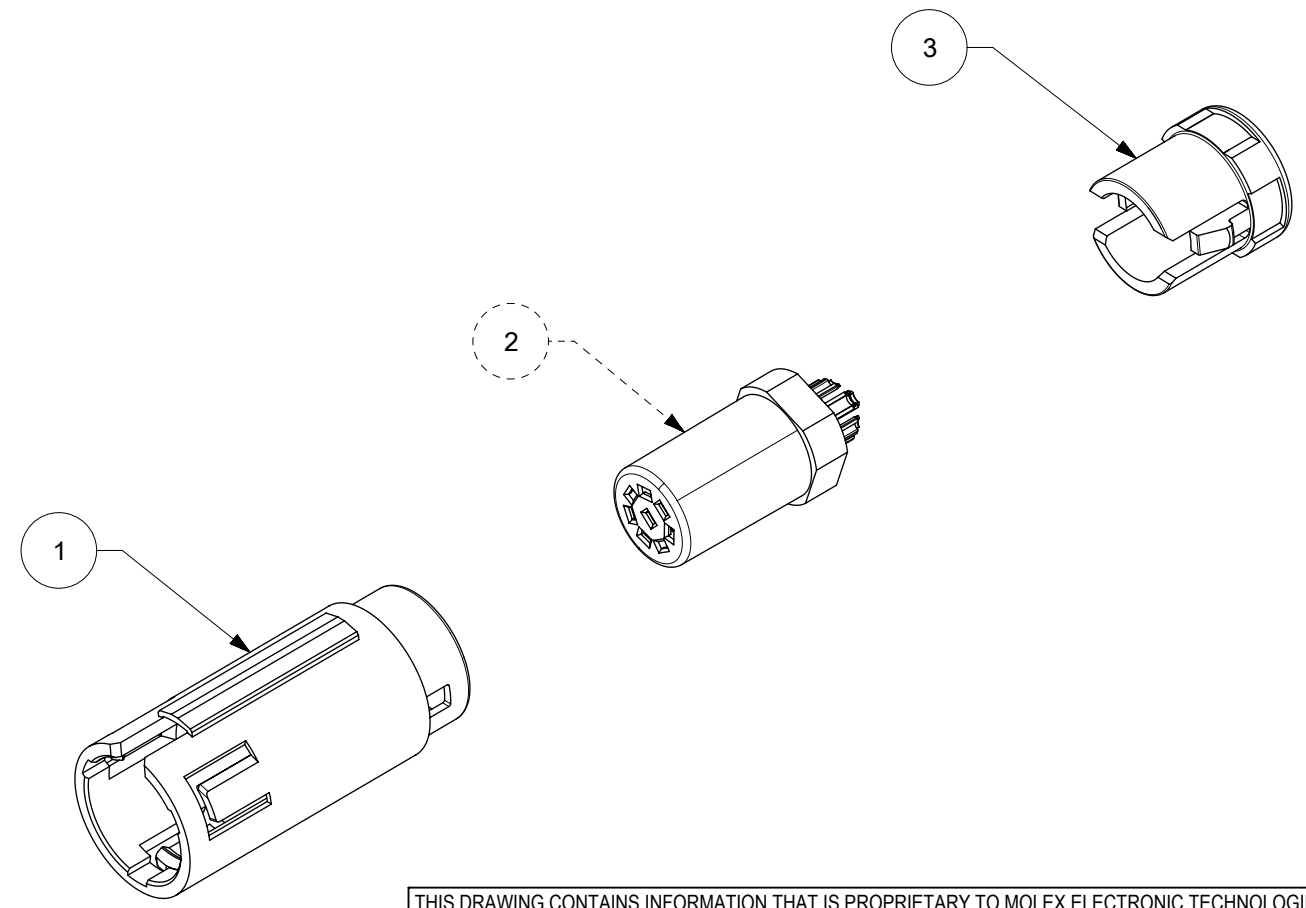
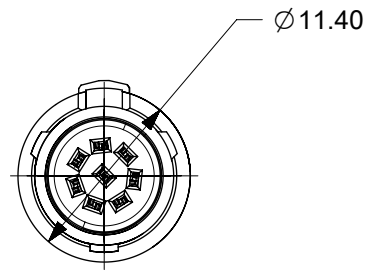
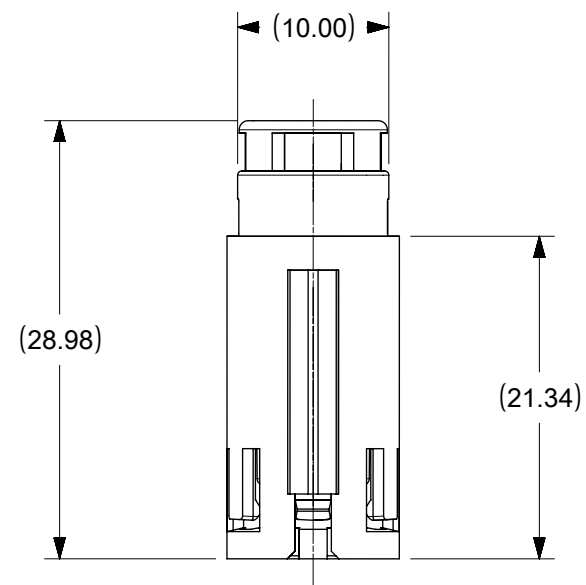


ITEM NUMBER	P/N	7DESCRIPTION	QTY	SPQ
1	1728551101	MPC D1 IN LINE FEMALE HOUSING	1	10
2	1728542000	MPC D1 FEMALE RETAINER 8CKT	1	10
3	1728561000	MPC D1 FEMALE LOCK HOUSING	1	10



NOTES:

1. KIT TO BE PACKAGED PER SPEC PK-70873-3345
2. MATERIAL, MEDICAL GRADE PPSU; COLOR, BLACK
HIGH PERFORMANCE COPPER ALLOY WITHY GOLD PLATING IN MATING ZONE.
3. MATES WITH KIT P/N 172870-08*0 OR 173250-08*0.
4. FOR ASSEMBLY INFORMATION AND SPEC SEE APPLICATION SPEC AS-202110-0000.
5. FOR FURTHER PRODUCT INFORMATION SEE PRODUCT SPEC PS-202110-0000

THIS DRAWING CONTAINS INFORMATION THAT IS PROPRIETARY TO MOLEX ELECTRONIC TECHNOLOGIES, LLC AND SHOULD NOT BE USED WITHOUT WRITTEN PERMISSION

EC NO: 114560 DRWN: JJONIAK CHKD: REV: A	2017/03/07 2017/03/17 BPISZCZOR	GENERAL TOLERANCES (UNLESS SPECIFIED)		DIMENSION UNITS	SCALE	molex MPC D1 FEMALE INLINE 8 CKT ASSY KIT	
		ANGULAR TOL ± °		MM	2:1		
		4 PLACES ±	DRWN BY	DATE	JJONIAK 2017/03/07		
		3 PLACES ±	CHK'D BY	DATE			
2 PLACES ±	APPR BY	DATE	BPISZCZOR 2017/03/17	PRODUCT CUSTOMER DRAWING			
1 PLACE ±	DRAWING SIZE	THIRD ANGLE PROJECTION	B	SERIES	MATERIAL NUMBER	CUSTOMER	
0 PLACES ±	DRAFT WHERE APPLICABLE MUST REMAIN WITHIN DIMENSIONS			203020	2030200810	GENERAL MARKET	
				DOCUMENT NUMBER	DOC TYPE	DOC PART	SHEET NUMBER
				2030200810-SD	PSD	000	1 OF 2

RELEASE STATUS	P1	RELEASE DATE	17.03.2017	16:34:14
----------------	----	--------------	------------	----------