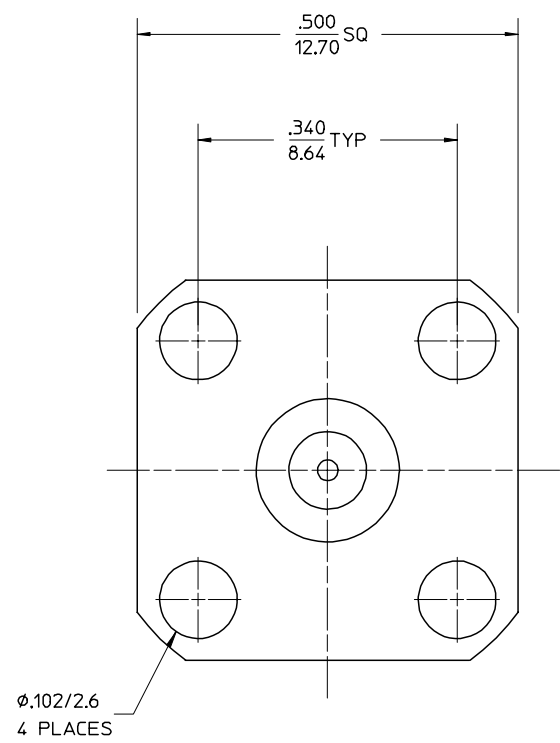
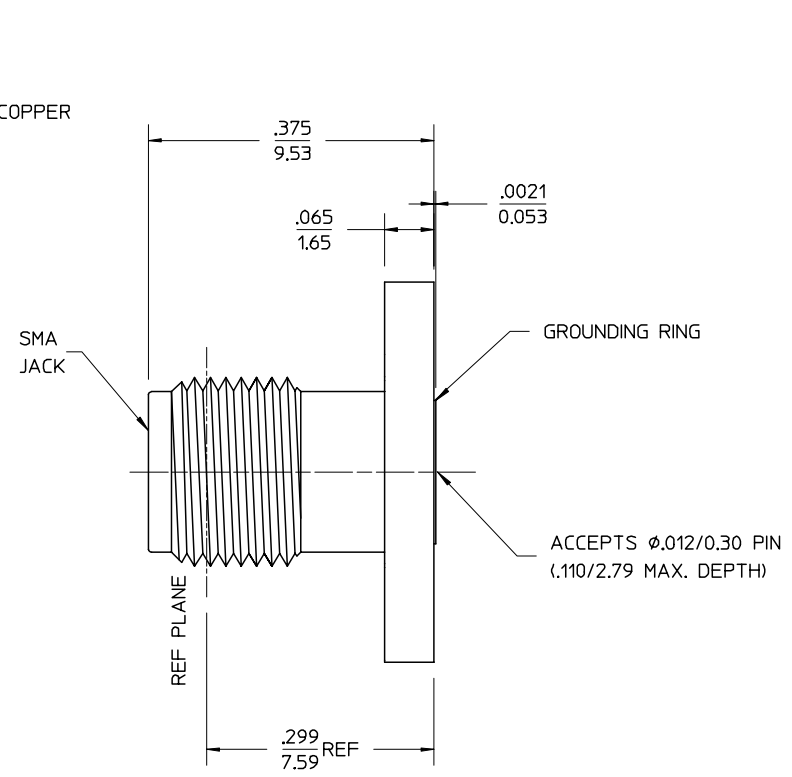


MATERIALS AND FINISHES:
 BODY STAINLESS STEEL
 PASSIVATED

CENTER CONTACT BERYLLIUM COPPER
 PLATED GOLD

INSULATOR TEFLON



PART # 73251-0160

| | |
|---------------------------|--------------------------|
| MIL-STD-348, FIGURE 310-2 | INTERFACE |
| PS-89675-2910 | ELECTRO/MECH PERFORMANCE |
| SPECIFICATION | DESCRIPTION |

| | | | |
|------------------|--------------------|-------------|---|
| CHG: NEW RELEASE | EC NO. URF-0233 | DESCRIPTION | UNLESS OTHERWISE SPECIFIED DIMS ARE INCHES AND ANGLES ARE DEGREES. 1. √ 63 ALL OVER. 2. NO CHATTER OR NON-UNIFORM SURFACE FINISH ALLOWED. 3. PARTS TO BE FREE OF BURRS & SHARP EDGES .005 MAX BREAK, & EXTERNAL THREADS TO BE ROLLED OR SINGLE POINT. 4. EXTERNAL THREADS TO BE ROLLED OR SINGLE POINT. 5. DIAMETERS TO BE CONCENTRIC WITHIN .003 TIR. |
| | DRWN: TEF 06/21/99 | | |
| A | CHK: DHG 06/21/99 | REV | |
| | APPR: GMH 06/21/99 | | |

UNLESS OTHERWISE SPECIFIED DIMS ARE INCHES AND ANGLES ARE DEGREES.
 1. √ 63 ALL OVER.
 2. NO CHATTER OR NON-UNIFORM SURFACE FINISH ALLOWED.
 3. PARTS TO BE FREE OF BURRS & SHARP EDGES .005 MAX BREAK, & EXTERNAL THREADS TO BE ROLLED OR SINGLE POINT.
 4. EXTERNAL THREADS TO BE ROLLED OR SINGLE POINT.
 5. DIAMETERS TO BE CONCENTRIC WITHIN .003 TIR.

| |
|-----------------|
| QUALITY SYMBOLS |
| MAJOR |
| CRITICAL |

| | |
|--|------|
| GENERAL TOLERANCES: (UNLESS SPECIFIED) | |
| mm | INCH |
| 4 PLACES ± .0005 | |
| 3 PLACES ± .005 | |
| 2 PLACES ± .01 | |
| 1 PLACE ± .1 | |
| ANGULAR: ± 1/2° | |
| DRAFT WHERE APPLICABLE MUST REMAIN WITHIN DIMENSIONS | |

| | |
|--------------------|--|
| SCALE | DESIGN UNITS |
| | <input type="checkbox"/> mm <input checked="" type="checkbox"/> INCH |
| DRAWN BY & DATE | |
| EDC 12/10/97 | |
| CHECKED BY & DATE | |
| DHG 01/09/98 | |
| APPROVED BY & DATE | |
| GMH 01/09/98 | |
| CAD FILENAME | |

| | | | | | |
|--|--|-----------------------------|-------------------------------|------------------|--------|
| THIRD ANGLE PROJECTION | | DIMENSIONS: | | 1 | A |
| <input type="checkbox"/> mm | <input checked="" type="checkbox"/> INCH | <input type="checkbox"/> mm | <input type="checkbox"/> INCH | SHT | REV |
| TITLE: SMA JACK, RECEPTACLE, 4 HOLE FLANGE MOUNT, ACCEPTS .012 DIA PIN SMA-JR/F | | | | | |
| MOLEX MOLEX INCORPORATED | | | | | |
| MATERIAL NO. SEE NOTE | | DRAWING NO. SD-73251-016 | | SHEET NO. 1 of 1 | |
| THIS DRAWING CONTAINS INFORMATION THAT IS PROPRIETARY TO MOLEX INCORPORATED AND SHOULD NOT BE USED WITHOUT WRITTEN PERMISSION. | | | | | SIZE B |