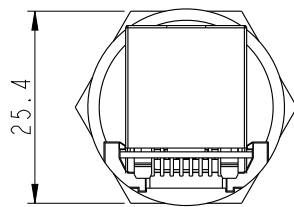
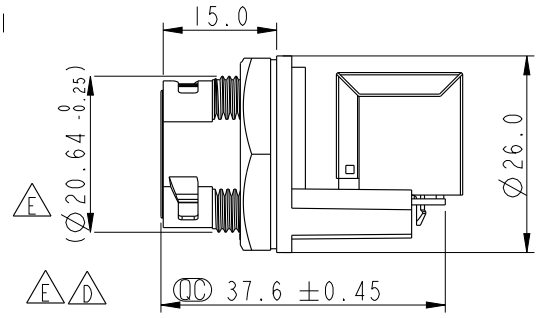
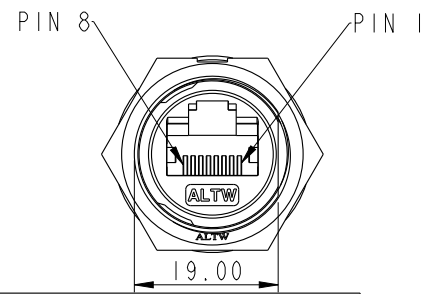
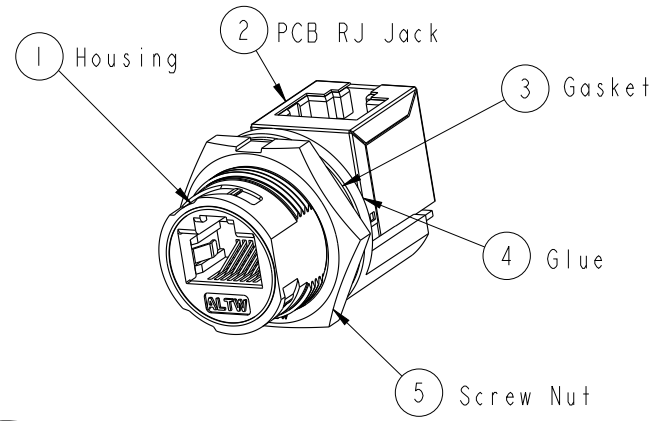
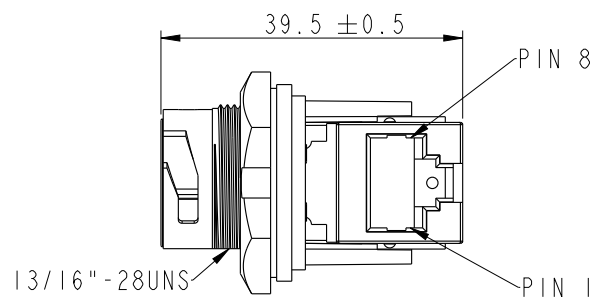
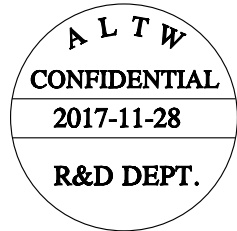
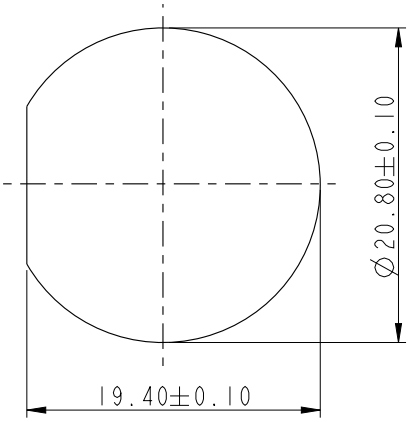


REV.	ECN NO.	DATE	SIGN	DESCRIPTION
D	LEN1490061	2014-08-07	Feng_Li	Change Size
E	LEN1810039	2017-11-28	Jalam	Change The Tolerance



- Note:
- \*  $\text{CC}$  Important Dimension
  - \* Waterproof Rate : IP67 Unmated
  - \* Housing : Nylon+GF,UL 94V-0,BLACK
  - \* Screw Nut : Nylon+GF,BLACK
  - \* Gasket : Silicone,UL 94V-0,Gray.
  - \* PCB: FR-4
  - \* Jack : PBT Polyester UL 94V-0
  - \* Use without Waterproof cap or Dust cap  
For Panel Thickness Max: 3.0mm
  - \* Use with Waterproof cap or Dust cap  
For Panel Thickness Max: 1.8mm
  - \* Screw torsion value range: 8~12kgf-cm



UNIT : mm		
TOLERANCE	.X	±0.25
	.XX	±0.1
	.XXX	±0.05
ANGLES		±1°

TITLE RJ45,C SIZE,WATERPROOF			
SCALE	SIZE	SHEET	OF
1:1	A4	1	1
REV.	WC-REV.	$\text{CC}$ : Inspection item	
E	B.4		

**Amphenol LTW**  
安費諾亮泰企業股份有限公司

ITEM NO	RCP-5SPFFV-TCU7001	DRAWN BY	Jalam	DATE	2017-11-28
DWG NO	RCP-5SPFFV-TCU7001	CHECKED BY	Feng_Li	DATE	2017-11-28
CUSTOMER	ALTW	APPROVED BY	Jerry	DATE	2017-11-28

THIS DOCUMENT IS SUBJECT TO CHANGE WITHOUT NOTICE. IT IS CONFIDENTIAL AND A PROPERTY OF AMPHENOL LTW. DISCLOSURE TO THIRD PARTY HAS TO BE AUTHORIZED BY AMPHENOL LTW.