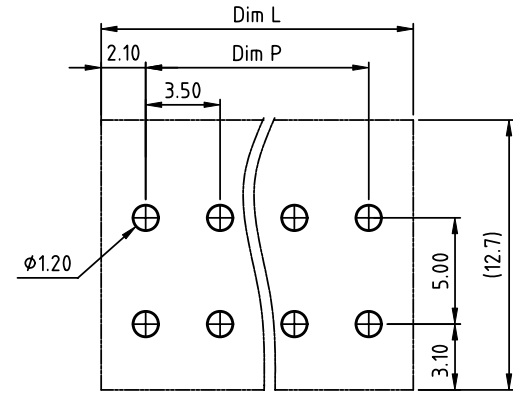
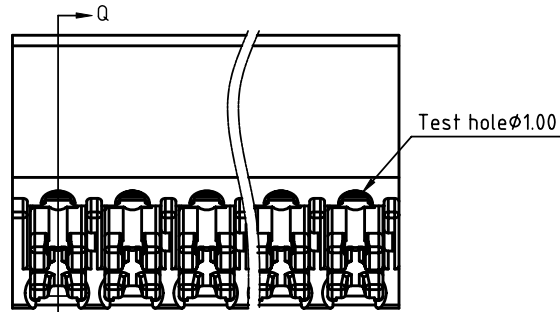
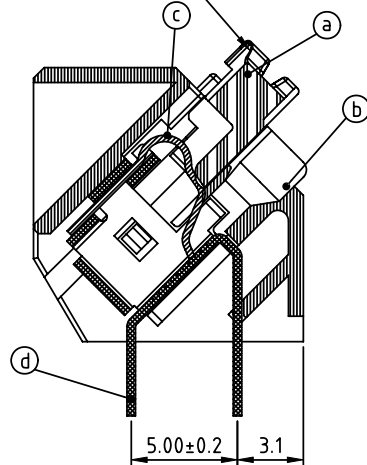


PRODUCT NUMBER	PITCH
NMxx100200J0G	3.50mm

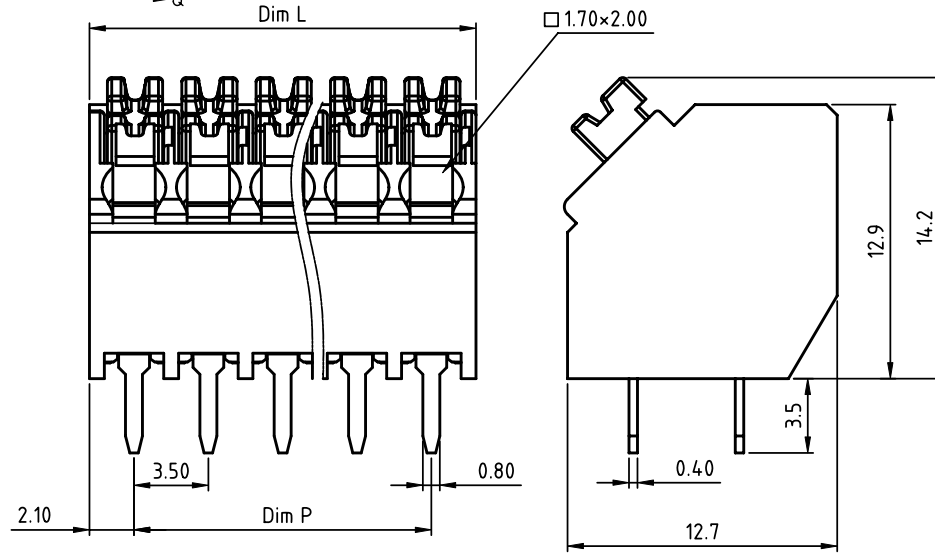


RECOMMENDED P.C.B LAYOUT
TOP VIEW

The color of lever is consistent with body's



SECTION Q-Q



- Material:
- Item (a) Lever: Thermoplastic (UL94V-0)
 - Item (b) Terminal housing: Thermoplastic (UL94V-0)
 - Item (c) Spring clamp: Stainless steel
 - Item (d) Solder Pin: Brass, Tin plated

- Electrical: cULus
- Voltage rating: 300 V
 - Current rating(SOL): 7 A
 - Current rating(STR): 10 A
 - Wire range:
 - Solid wire(AWG): 18-24
 - Stranded wire(AWG): 16-22
 - Wire strip length: 12-13 mm
 - Withstanding Voltage: 1.6KV
 - Operating temperature: -45°C to +130°C
 - Reflow Soldering temperature: 260°C/10 Sec max
 - Safety Approval:

N=Number of poles
Dim L=N×3.5+0.70
Dim P=(N-1)×3.5

Poles	Tolerance
2-6p	±0.15
7-12p	±0.20
13-18p	±0.30
19-24p	±0.40

PART NO.: **NM xx 10 0 2 00J0 G**

End stackable
No. of poles
02 2 poles
03 3 poles
... ..
24 24 poles

RoHS compliant
(lead<4%)
In copper Alloy

mat'l. code		surface ASME Y14.5	tolerance ASME Y14.5	projection 	product family TERMINAL BLOCK
ltr	ecn no	dr	date	tolerances unless otherwise specified	title TERMINAL BLOCK
				angles 0° 15° 30° 45° 60° 90° 120° 135° 180°	scale MM
				X°±1°	scale CUSTOMER Drawing
		dr	EVIN ZHONG	060614	dwg no
		enr	EVIN ZHONG	060614	sheet 1 of 1
		chr	HANKE FENG	060614	size A4
		appd	SHI JUN	060614	type
sheet index	revision sheet	A	1		