

Technical specification:

Rated voltage: 8pos
IEC 61076-2-109 48 V

Current rating: 8pos
IEC 61076-2-109 0,5 A at 40°C

Transfer properties: CAT 6A / 10 GBit/s
IEC 61076-2-109

Insulation resistance: >=100 MΩ
IEC 60512

Pollution degree: 3
IEC 60664-1

Degree of protection: IP 67, in mated condition
IEC 60529

Temperature range: -25°C ... +95°C
EN 60512-11-10
EN 60512-11-4 -40°C ... +85°C

Mating cycles: >=100
IEC 60512-9a

Spring force axial flange height 6,0mm: 3-4N

Total spring force with case diameter 11,4mm: max 10N

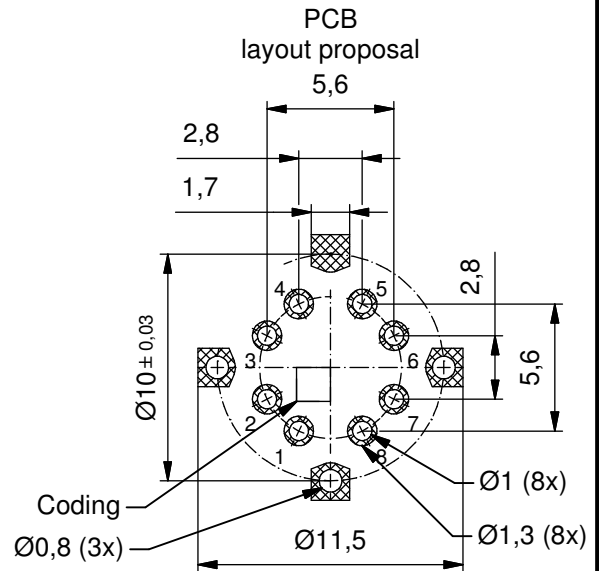
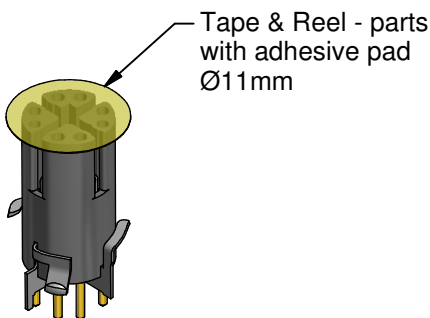
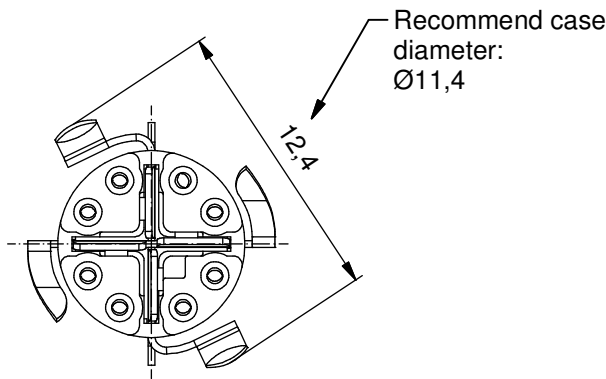
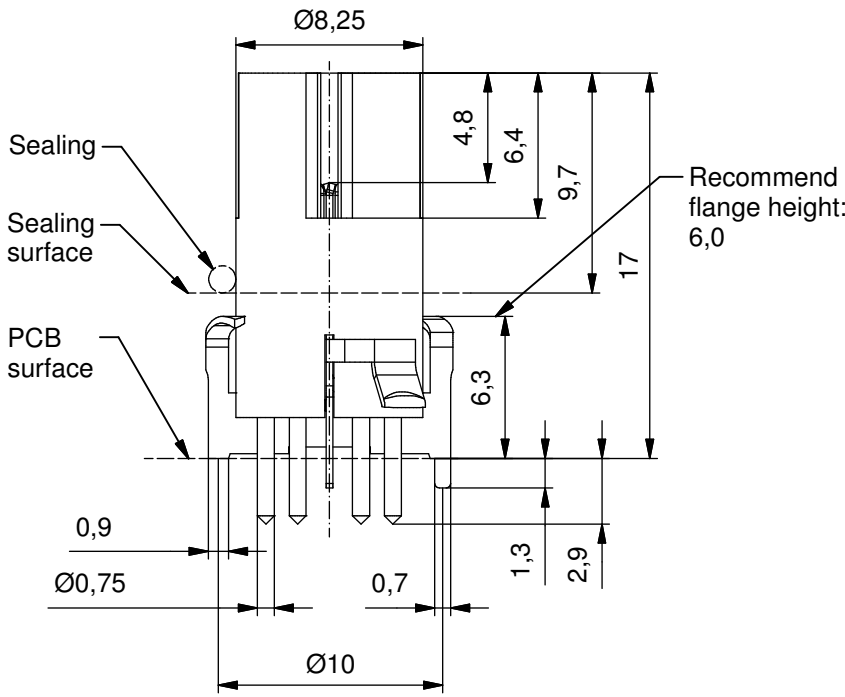
Materials:

Contact: CuZn, Ni b / Au 0,2 gal.

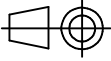

Contact carrier: LCP GF

Shielding cross: CuSn, Ni / sel. Sn

Suitable for reflow soldering
max. 60s / 250°C



Part no. packing unit Tape & Reel:	Part no. packing unit in bulk:	Description:	Pos
43-02363TR	43-02363	SAL - 12X - IK8 / THR	8

DO NOT ALTER CAD DRAWING BY HAND	RoHS & REACH compliant	 dim. in mm		title: Insulating body female M12x1 THR, X-Cod.									
			date			name							
			drawn	17.03.16	Brüntrup	dwg no: 43K1A2869							
			appd.	17.03.16	Willer								
general tolerance: <table style="margin-left: 20px;"> <tr><td>0</td><td>± 0,50mm</td></tr> <tr><td>0,0</td><td>± 0,25mm</td></tr> <tr><td>0,00</td><td>± 0,10mm</td></tr> <tr><td>*</td><td>± 1,5°</td></tr> </table>		0	± 0,50mm	0,0	± 0,25mm	0,00	± 0,10mm	*	± 1,5°			part no: see table	
0	± 0,50mm												
0,0	± 0,25mm												
0,00	± 0,10mm												
*	± 1,5°												
THIS DRAWING MAY NOT BE COPIED OR REPRODUCED IN ANY WAY, AND MAY NOT BE PASSED ON TO A THIRD PARTY WITHOUT WRITTEN PERMISSION. OWNERSHIP AND COPYRIGHT OF CONEC GmbH													