

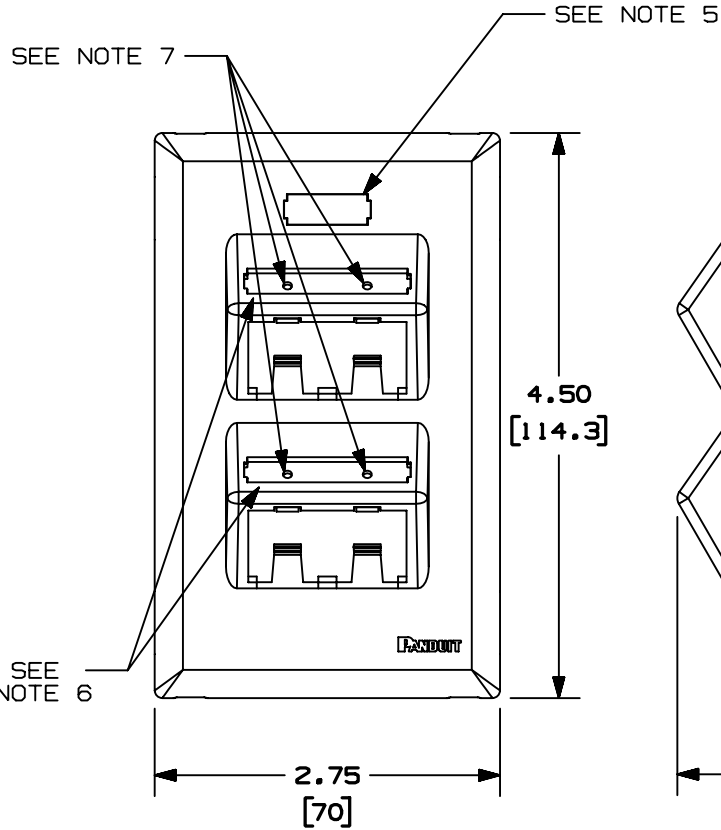
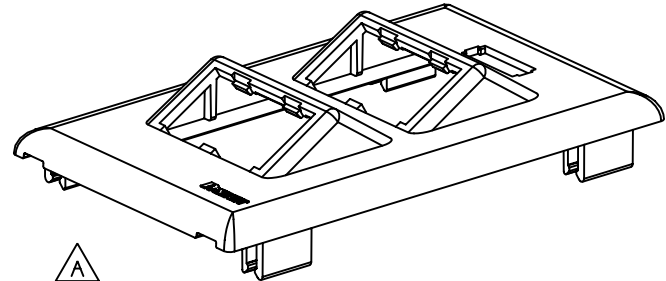
THIS COPY IS PROVIDED ON A RESTRICTED BASIS AND IS NOT TO BE USED IN ANY WAY DETRIMENTAL TO THE INTERESTS OF PANDUIT CORP.

PANDUIT P/N	WEIGHT
UIT70FV4	.07 LB/PC (35 g/PC)
OF70FV4	



NOTES:

1. SEE CURRENT CATALOG FOR ADDITIONAL PART SUFFIXES TO INDICATE COLOR AND OR PACKAGE QUANTITY.
2. THE UIT70FV4 ACCEPTS FOUR (4) MINI-COM MODULES.
3. DIMENSIONS IN PARENTHESIS ARE IN METRIC.
4. THE UIT70FV4 FACEPLATE CAN BE USED WITH PANDUIT SURFACE RACEWAY SYSTEMS AND BOXES THAT ACCEPT 70mm SNAP-ON FACEPLATES (INCLUDES: T-70, TWIN-70, TE70, TG-70, ETC.)
5. POCKET TO BE USED WITH PANDUIT PART NUMBER UILC1**.
6. POCKET TO BE USED WITH PANDUIT PART NUMBER UILC2**.
7. POCKETS TO BE USED WITH PANDUIT PART NUMBER UICIB**, UICIP**, OR UICID**.
8. THE OF70FV4 FACEPLATE CAN BE USED WITH PANDUIT OFFICE FURNITURE CORNER RACEWAY.



CAD FILENAME/LAYERS D38316BC_DC_UIT70FV4_01B.prt

PANDUIT CORP TINLEY PARK, ILLINOIS

ULTIMATE I.D. FOUR MINI-COM MODULE VERTICAL SLOPED SNAP-ON FACEPLATE (UIT70FV4 & OF70FV4) CUSTOMER DRAWING

UNLESS OTHERWISE SPECIFIED, DIMENSIONAL TOLERANCES ARE:
 (.X) ± (.XXX) ±
 (.XX) ± .03(.8) ANGLES ±

UNLESS OTHERWISE SPECIFIED, ALL DIMENSIONS ARE GIVEN IN INCHES, THIRD ANGLE PROJECTION.

2	04-23-03	JBN	PM	D. ADDED NOTE 8 C. ADDED PART NUMBER OF70FV4	38316-08	RGRO	RGRO						
1	07-10-02	JHEP	RGRO	B. REVISED NOTE 5 A. REVISED MODEL	38316-08	RGRO							
R	12-06-01	MSO	CEO	RELEASED TO PRODUCTION	38316-08	RGRO							
REV	DATE	BY	CHK	DESCRIPTION	ECN	-	R	CUST	SUP	GMBH	CHK'D	CEO	

DRAWN BY MSO

MAT'L:

PVC

SCALE NONE

DATE 12-06-01

DRAWING NO. 38316-08

CEO

DWG

A

SIZE