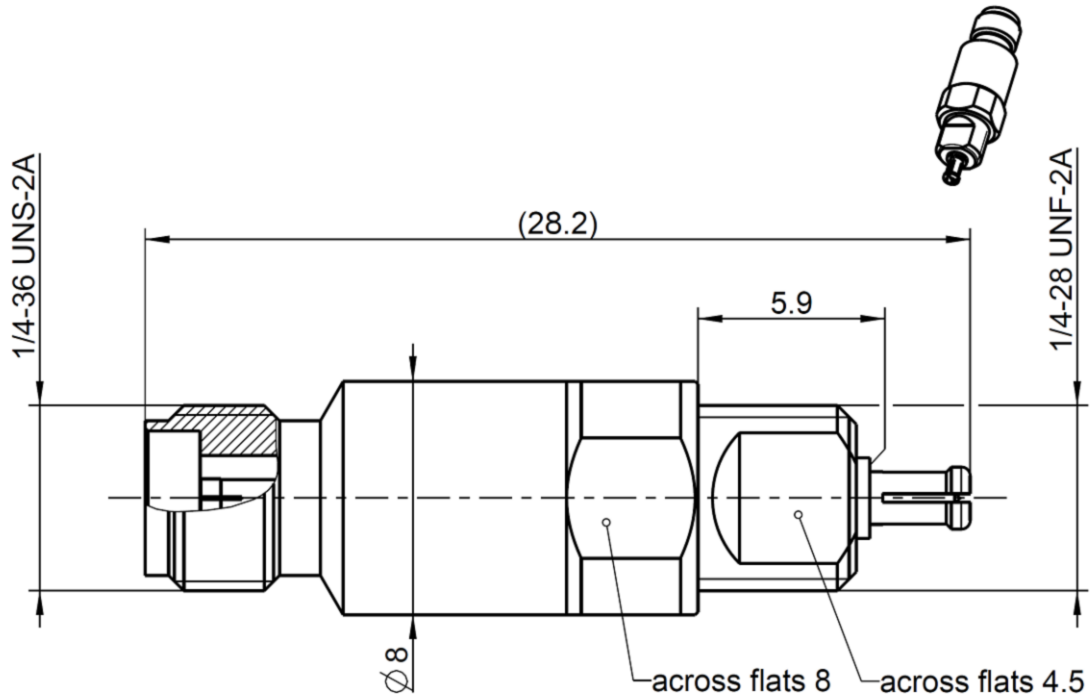


RPC-2.92 Adaptor
RPC-2.92 JACK –
Mini-Coax 40 GHz PLUG

02K123-S00S3



All dimensions are in mm; tolerances according to ISO 2768 m-H

Interface

According to
Mechanically compatible with
Mini-Coax according to

IEC 61169-35
RPC-3.50 and SMA
Rosenberger Mini-Coax

Documents

N/A

Material and plating

Connector parts

Center contact
Outer contact Mini-Coax
Outer contact RPC-2.92
Dielectric 1
Dielectric 2

Material

CuBe
CuBe
Stainless steel
PS
PTFE

Plating

Gold, min. 1.27 µm, over chemical nickel
Gold, min. 1.27 µm, over chemical nickel
Passivated

Dieses Dokument ist urheberrechtlich geschützt • This document is protected by copyright • Rosenberger Hochfrequenztechnik GmbH & Co. KG

RF_35/05.10/6.0

Technical Data Sheet**Rosenberger**

RPC-2.92 Adaptor
 RPC-2.92 JACK –
 Mini-Coax 40 GHz PLUG

02K123-S00S3**Electrical data**

Impedance	50 Ω
Frequency	DC to 40 GHz
Return loss	≥ 26 dB, DC to 18 GHz ≥ 21 dB, 18 GHz to 26.5 GHz ≥ 15 dB, 26.5 GHz to 40 GHz
Insertion loss	≤ 0.04 x √f(GHz) dB
Insulation resistance	≥ 5 GΩ
Center contact resistance RPC-2.92	≤ 3.0 mΩ
Outer contact resistance RPC-2.92	≤ 2.0 mΩ
Center contact resistance Mini-Coax	≤ 10.0 mΩ
Outer contact resistance Mini-Coax	≤ 3.0 mΩ
Test voltage	750 V rms
Working voltage	250 V rms
RF-leakage	≥ 80 dB @ DC to 1 GHz ≥ 60 dB @ 1GHz to 4 GHz

Mechanical data

Mating cycles	≥ 500
Center contact captivation	≥ 20 N
Coupling test torque RPC-2.92	1.70 Nm
Recommended torque RPC-2.92	0.80 Nm to 1.10 Nm
Mini-Coax	
Engagement and disengagement force	1 N to 4 N

Environmental data

Temperature range	-40°C to +85°C
Thermal shock	MIL-STD-202, Method 107, Condition B
Corrosion	MIL-STD-202, Method 101, Condition B
Vibration	MIL-STD-202, Method 204, Condition D
Shock	MIL-STD-202, Method 213, Condition I
Moisture resistance	MIL-STD-202, Method 106
RoHS	compliant

Tooling

N/A

Weight

Weight 7.1 g/pce

While the information has been carefully compiled to the best of our knowledge, nothing is intended as representation or warranty on our part and no statement herein shall be construed as recommendation to infringe existing patents. In the effort to improve our products, we reserve the right to make changes judged to be necessary.

Draft	Date	Approved	Date	Rev.	Engineering change number	Name	Date
Martin Moder	25.05.16	Martin Moder	09.11.17	300	17-1852	M. Rahberger	09.11.17
Rosenberger Hochfrequenztechnik GmbH & Co. KG P.O.Box 1260 D-84526 Tittmoning Germany www.rosenberger.de						Tel. : +49 8684 18-0 Fax : +49 8684 18-499 Email : info@rosenberger.de	
							Page 2 / 2