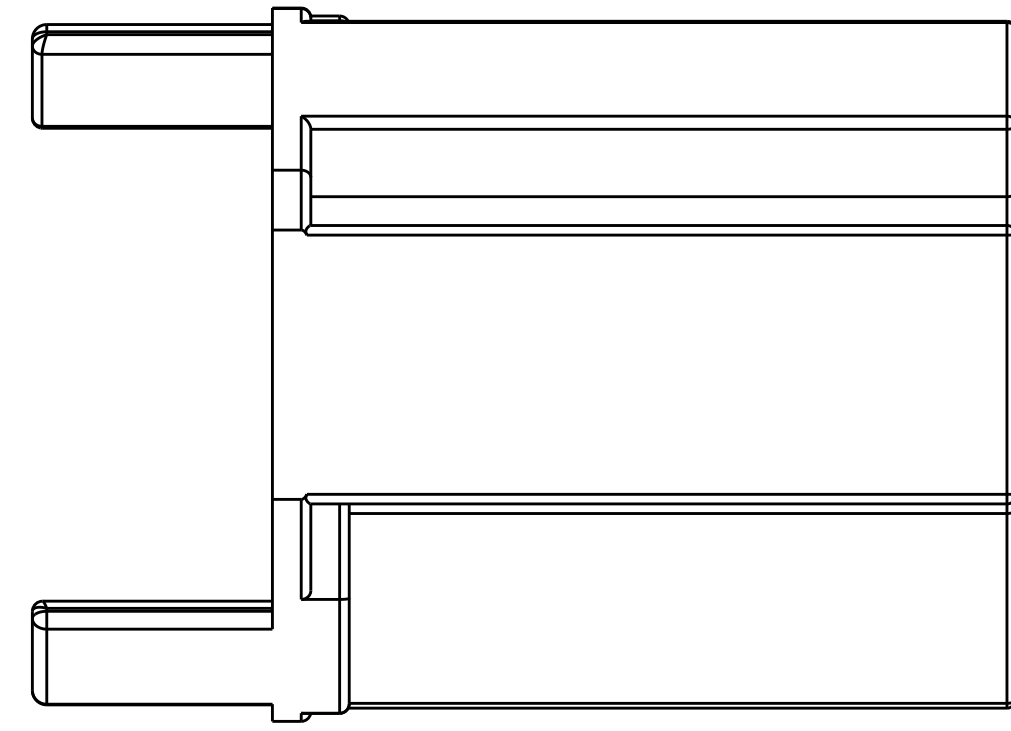
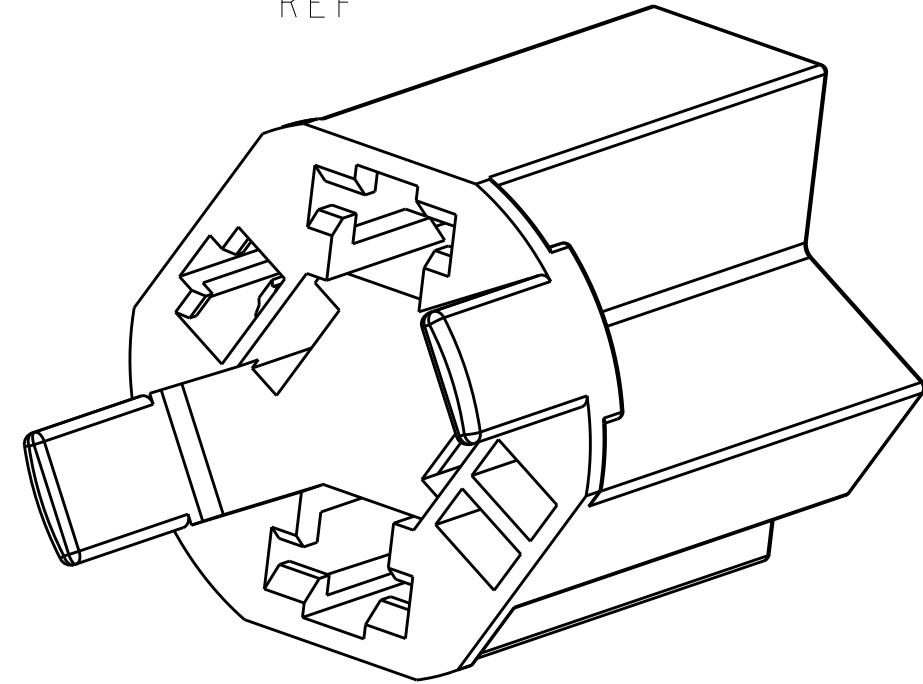
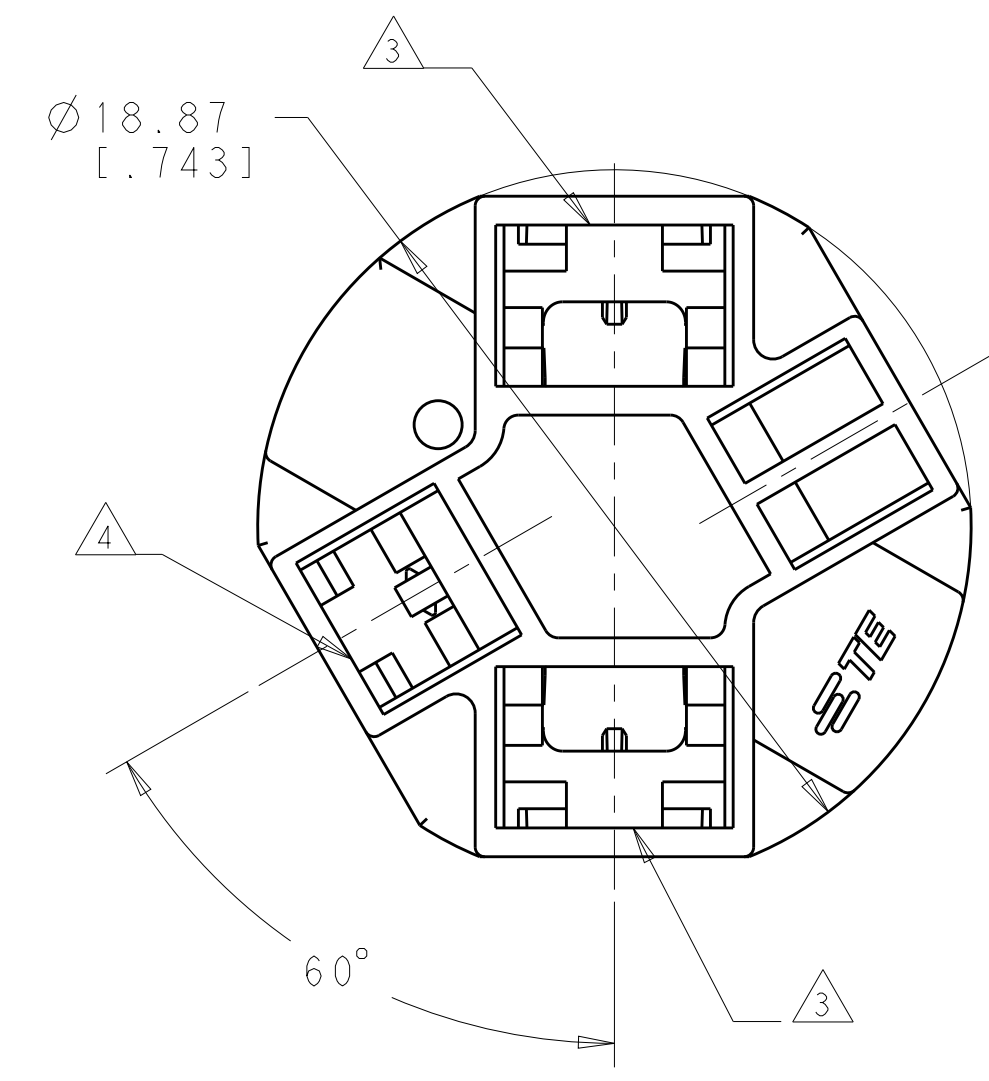
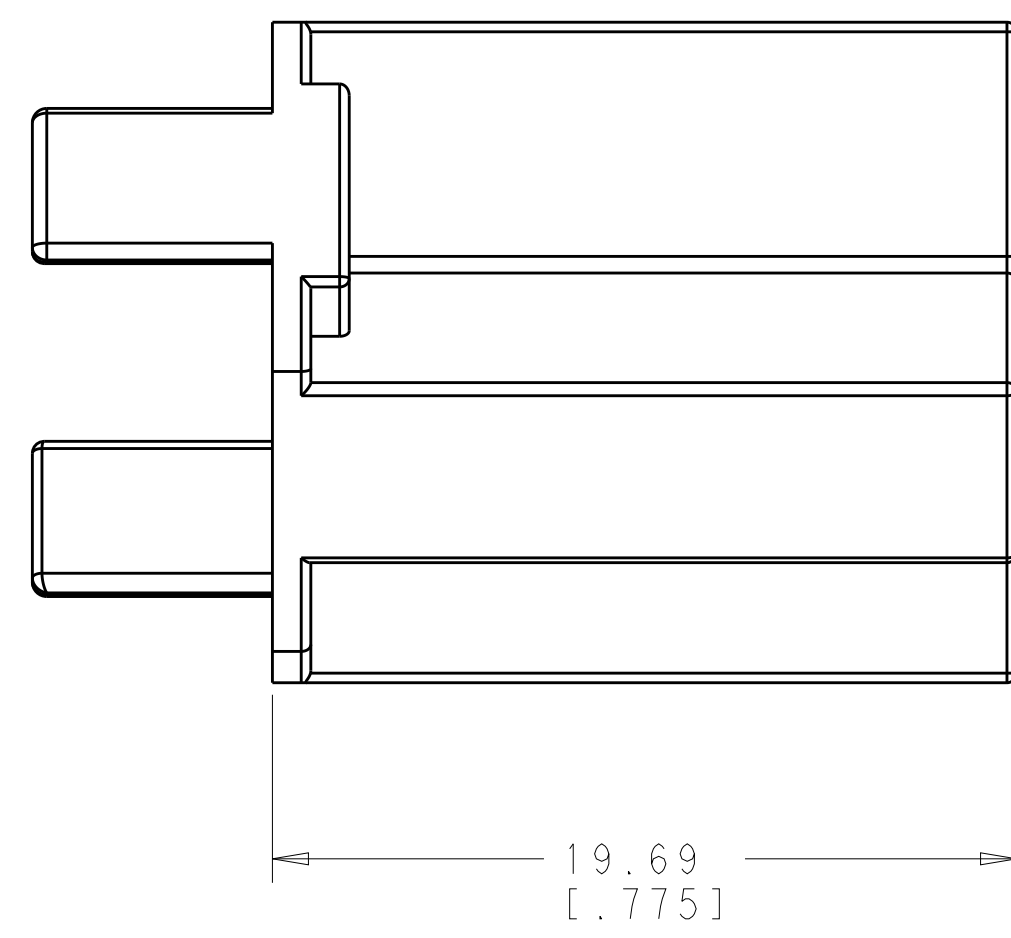
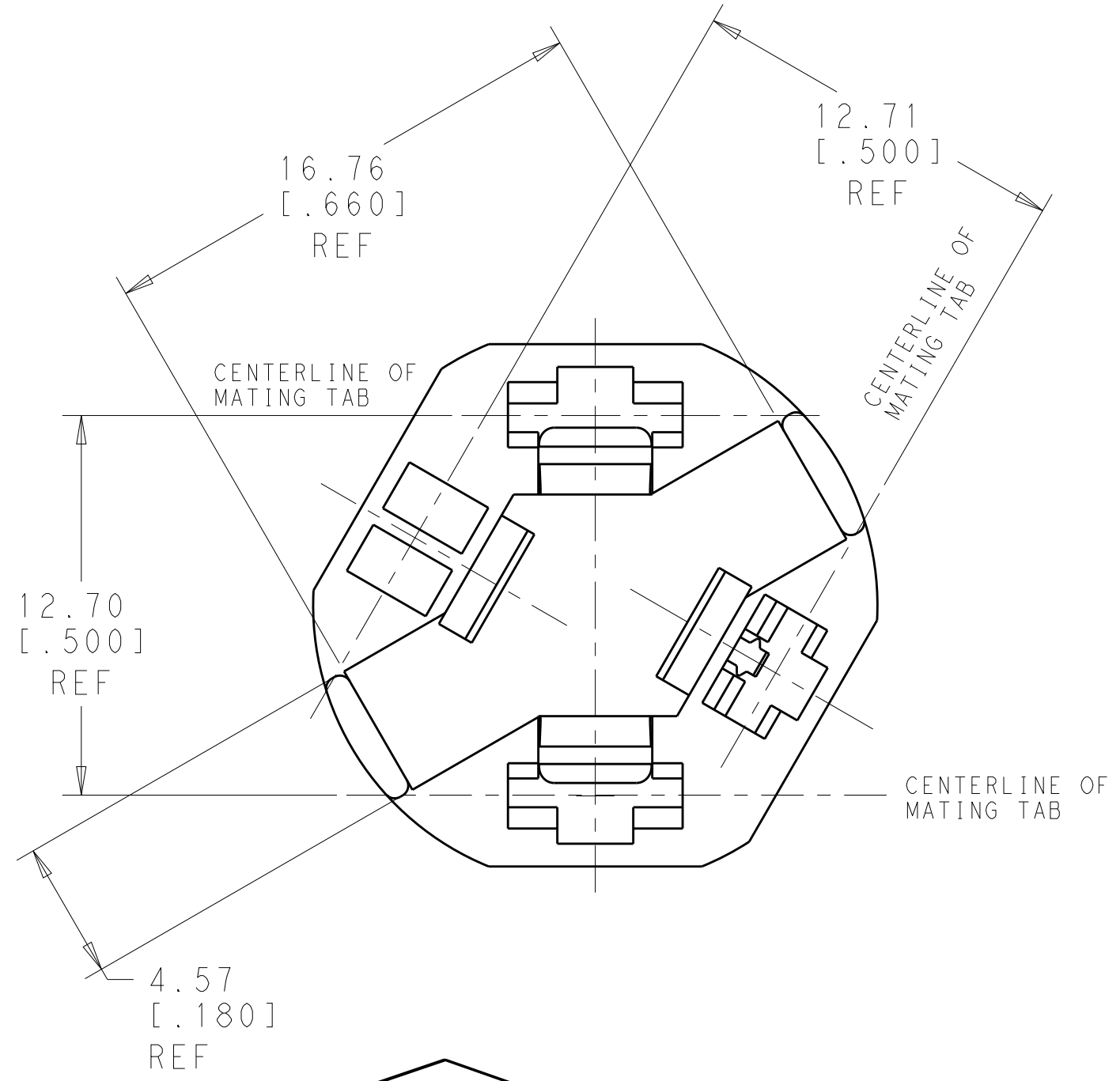


THIS DRAWING IS UNPUBLISHED. RELEASED FOR PUBLICATION 20
 © COPYRIGHT 20 BY - ALL RIGHTS RESERVED.

REVISIONS					
P	LTR	DESCRIPTION	DATE	DWN	APVD
A		RELEASED	15AUG16	RS	MD
A1		ACTIVE STATUS	31AUG2016	MD	MD



- 1 TO ENSURE PROPER MATING OF RECEPTACLE TO TAB, TAB LENGTH ON PLUNGER SWITCH SHOULD BE A MINIMUM OF 8.25 [.325].
- 2 MATERIAL IS UL94 V0 AND 150°C RATED.
- 3 ACCEPTS .187 SERIES BUDGET FASTON STRAIGHT RECEPTACLES SUCH AS P/N 63477-X
- 4 ACCEPTS .110 SERIES POSITIVE-LOCK MARK III STRAIGHT RECEPTACLES FOR .032" THK TAB, P/N 1742975-1.



SCALE 4:1

1969843-1
PART NO.

THIS DRAWING IS A CONTROLLED DOCUMENT.		DWN M. DIDONATO 21MAY16	TE Connectivity	
DIMENSIONS: mm [INCHES]		CHK M. DIDONATO		
TOLERANCES UNLESS OTHERWISE SPECIFIED:		APVD T. DING 21MAY16	NAME HOUSING, RECEPTACLE, 187 FASTON, WITH .110 POSI-LOCK, DOOR SWITCH	
0 PLC ±	1 PLC ±	PRODUCT SPEC	SIZE	CAGE CODE
2 PLC ±0.25 [.010]	3 PLC ±	APPLICATION SPEC	A2	00779
4 PLC ±	ANGLES ±	WEIGHT	C-1969843	RESTRICTED TO
MATERIAL 6/6 NYLON	FINISH COLOR-BLACK	CUSTOMER DRAWING	SCALE 5:1	SHEET 1 OF 1