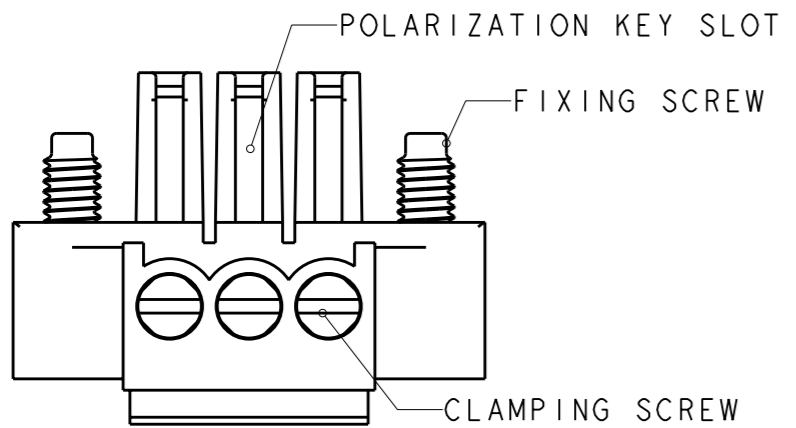
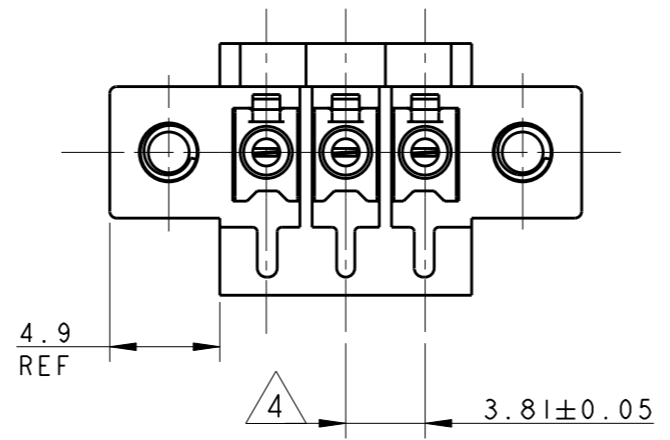
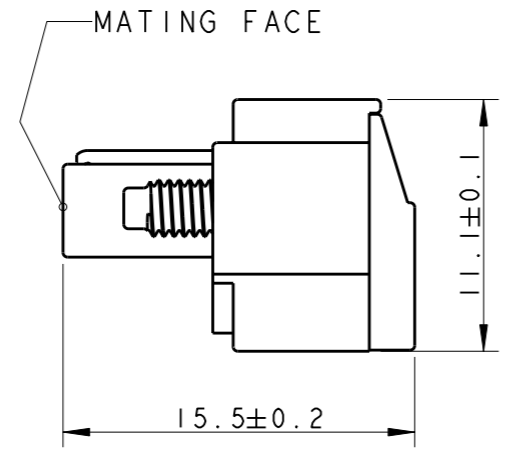
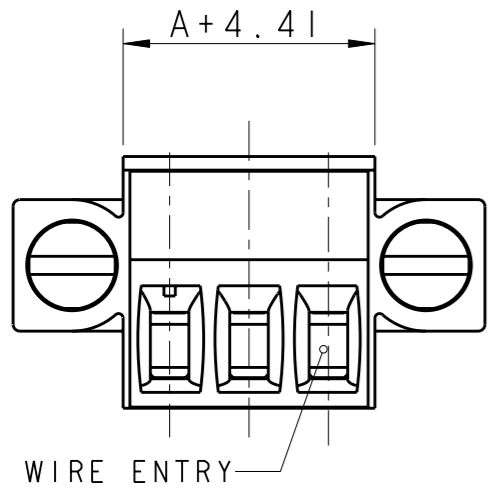


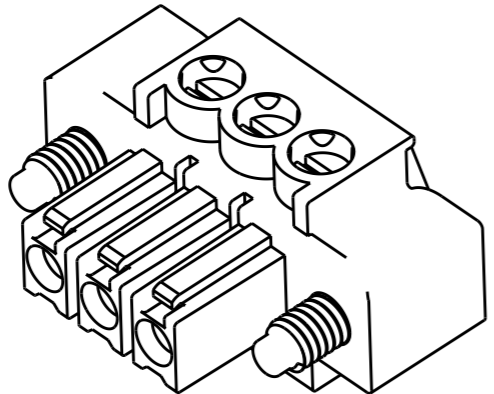
THIS DRAWING IS UNPUBLISHED. RELEASED FOR PUBLICATION 20
 © COPYRIGHT 20 BY TYCO ELECTRONICS CORPORATION. ALL RIGHTS RESERVED.

LOC	DIST	REVISIONS			
P	LTR	DESCRIPTION	DATE	DWN	APVD
FT	0	B1	REVISED PER ECO-11-005009	12MAR2011	HMR CR



- 1 MATERIALS AND FINISH
 HOUSING : PA 6.6, UL 94-V0, COLOR GREEN
 CLAMP : BRASS, NICKEL PLATED
 TERMINAL : BRASS, TIN PLATED
 CONTACT SPRING : PHOSPHOR BRONZE, TIN PLATED
 CLAMPING SCREW : M2, BRASS, NICKEL PLATED
- 2 FLANGES WITH M2.5 FIXING SCREWS
- 3 WIRE SIZE RANGE
 14 - 30 AWG
- 4 NOT CUMULATIVE TOLERANCE

83.82	23	2-284511-3
80.01	22	2-284511-2
76.20	21	2-284511-1
72.39	20	2-284511-0
68.58	19	1-284511-9
64.77	18	1-284511-8
60.96	17	1-284511-7
57.15	16	1-284511-6
53.34	15	1-284511-5
49.53	14	1-284511-4
45.72	13	1-284511-3
41.91	12	1-284511-2
38.10	11	1-284511-1
34.29	10	1-284511-0
30.48	9	284511-9
26.67	8	284511-8
22.86	7	284511-7
19.05	6	284511-6
15.24	5	284511-5
11.43	4	284511-4
7.62	3	284511-3
3.81	2	284511-2
DIM A	NO OF POS	PART NUMBER



284511-3 AS SHOWN

<small>THIS DRAWING IS A CONTROLLED DOCUMENT FOR TYCO ELECTRONICS CORPORATION IT IS SUBJECT TO CHANGE AND THE CONTROLLING ENGINEERING ORGANIZATION SHOULD BE CONTACTED FOR THE LATEST REVISION.</small>		DWN 06FEB2002 E. ZANOLINI CHK 06FEB2002 E. ZANOLINI APVD 06FEB2002 D. BLEVENOUR		Tyco Electronics Harrisburg, PA 17105-3608	
DIMENSIONS: mm		TOLERANCES UNLESS OTHERWISE SPECIFIED: 0 PLC ±.3 1 PLC ±.3 2 PLC ±.25 3 PLC ±. 4 PLC ±. ANGLES ±2		NAME TERMINAL BLOCK, PLUG WITH SCREW FLANGE 3.81mm PITCH	
		MATERIAL FINISH		PRODUCT SPEC 108-20166 APPLICATION SPEC 114-20079 WEIGHT -	
CUSTOMER DRAWING				SIZE A3 CAGE CODE 00779 DRAWING NO C-284511	RESTRICTED TO -
SCALE 3:1				SHEET 1 OF 1	REV B1