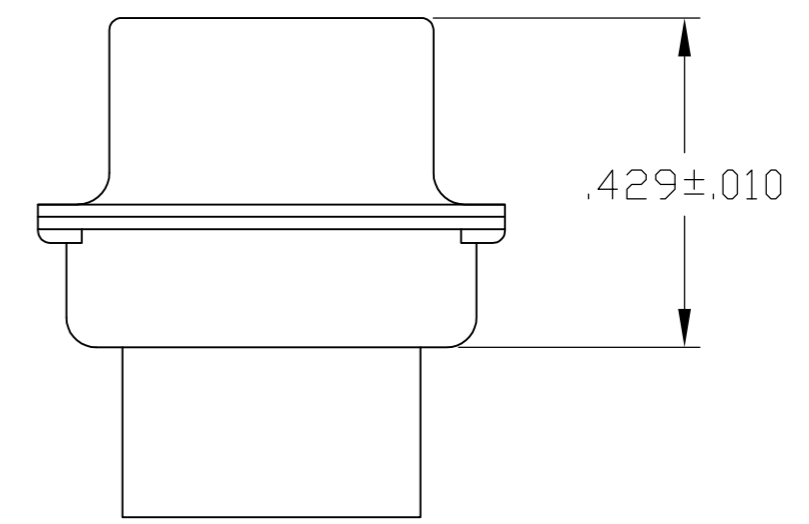
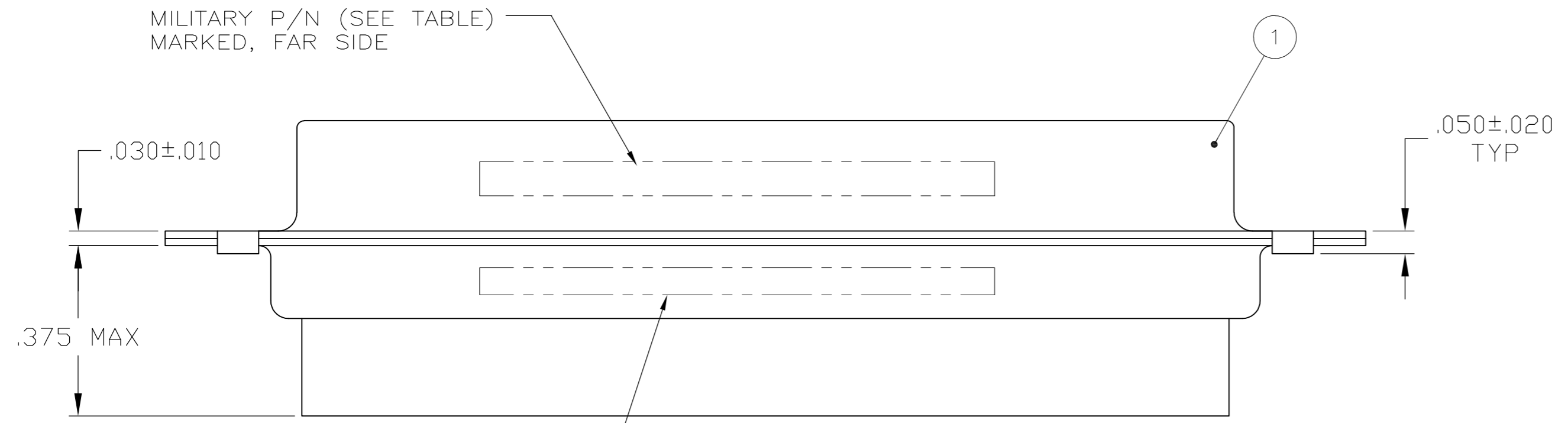
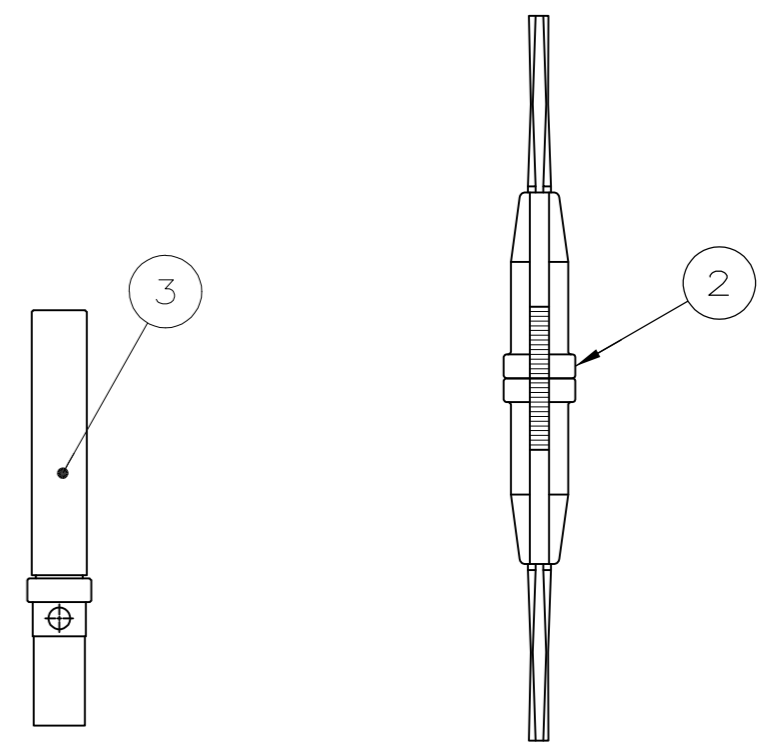
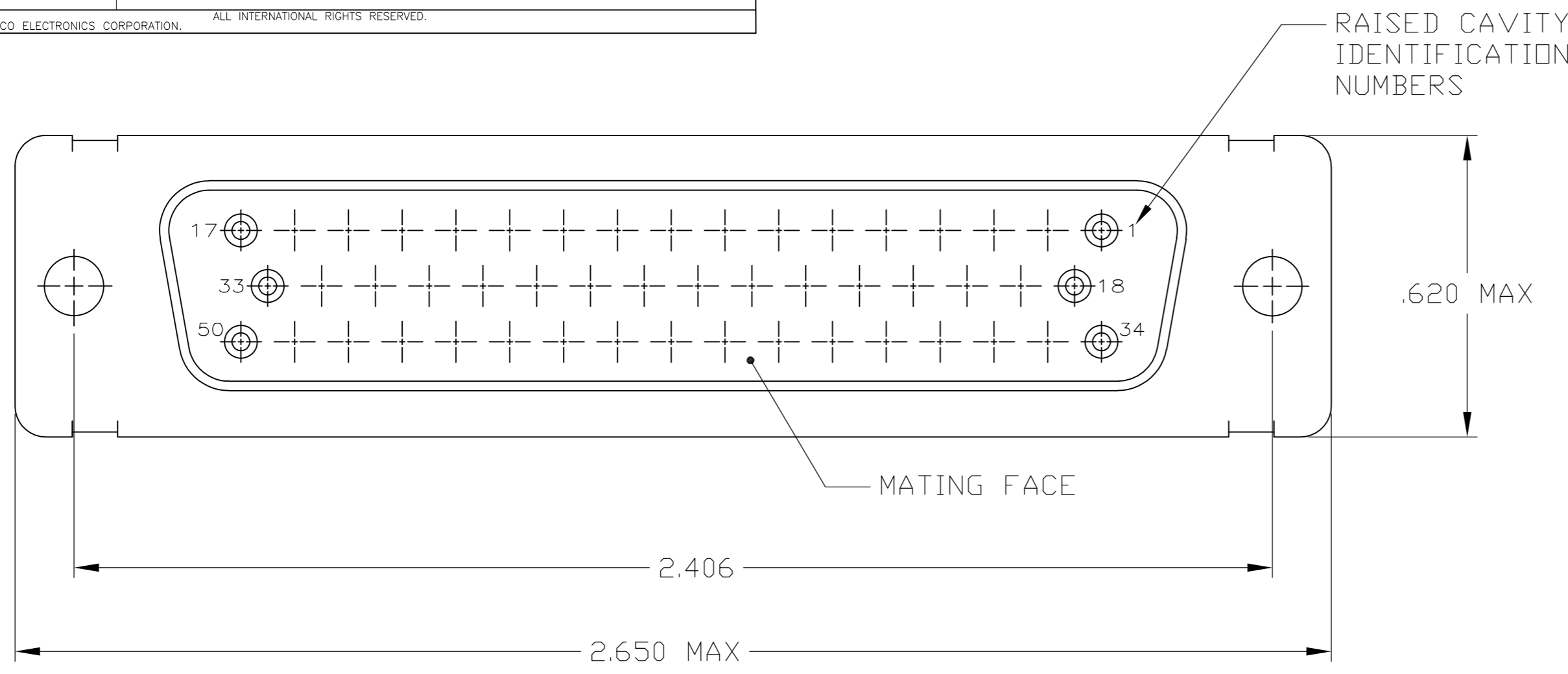


THIS DRAWING IS UNPUBLISHED. RELEASED FOR PUBLICATION  
 © COPYRIGHT BY TYCO ELECTRONICS CORPORATION. ALL INTERNATIONAL RIGHTS RESERVED.

LOC	DIST	REVISIONS			
P	LTR	DESCRIPTION	DATE	DWN	APVD
-	-	H	REV PER ECO 09-016309	9-1-09	CT RL



MFG'S NAME, BRAND OR LOGO AND DATE CODE MARKED, FAR SIDE

SUPERSEDED BY 206805-2 & 206973-1 & 91067-2	205563-5	M24308/6-10F	205090-1	91067-2	205169-2	205563-5
SUPERSEDED BY 206805-2 AND 206793-1	205563-4	M24308/6-5F	205090-1	-	205169-2	205563-4
	205563-3	M24308/2-10F	205090-1	91067-2	205169-1	205563-3
	205563-2	M24308/2-5F	205090-1	-	205169-1	205563-2
SUPERSEDED BY 205169-2 AND 91067-2	205563-1	-	-	91067-2	205169-1	205563-1

TE P/N MARKED ON PACKAGE	MILITARY P/N MARKED ON PACKAGE	SOCKET CONTACT QTY. = 50	INSERTION/EXTRACTION TOOL QTY. = 1	RECEPTACLE ASSY QTY. = 1	PART NUMBER
--------------------------	--------------------------------	--------------------------	------------------------------------	--------------------------	-------------

1 FOR CONNECTOR ASSEMBLIES WITHOUT CONTACTS, TE CONTACT PART NOS. 205090-1 MUST BE ORDERED SEPARATELY. CONNECTORS WITH CONTACTS ARE SUPPLIED WITH CONTACT 205090-1

THIS DRAWING IS A CONTROLLED DOCUMENT.

DWN P. YEAGER 10MAR09	Tyco Electronics Corporation Harrisburg, PA 17105-3608
CHK R. LEASE 12MAR09	
APVD R. LEASE 12MAR09	
PRODUCT SPEC	
APPLICATION SPEC	NAME
WEIGHT	SIZE CAGE CODE DRAWING NO RESTRICTED TO
CUSTOMER DRAWING	A2 00779 C=205563
SCALE 4:1	SHEET 1 of 1
REV H	