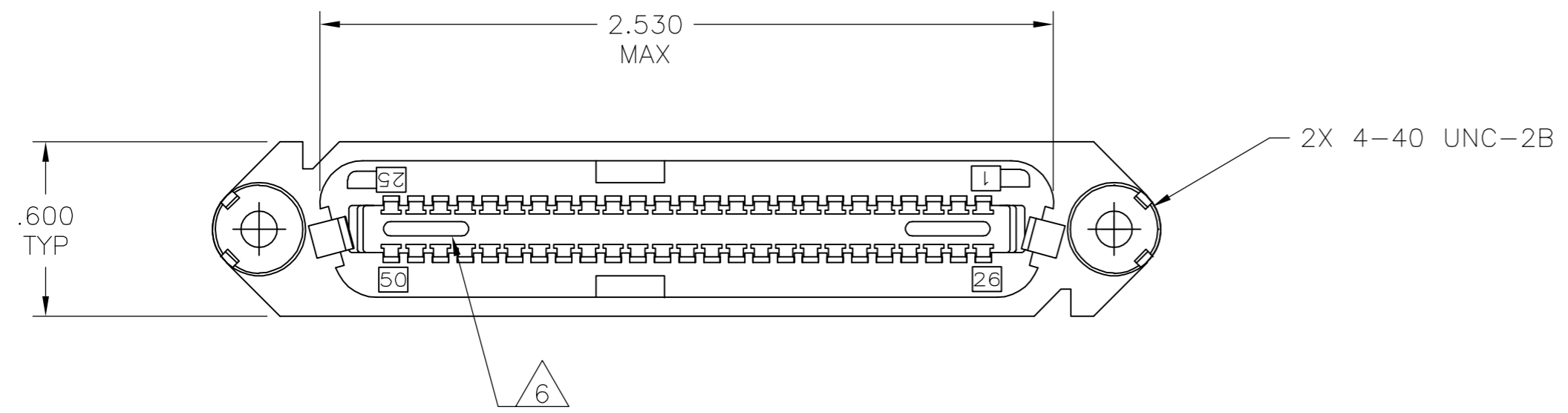
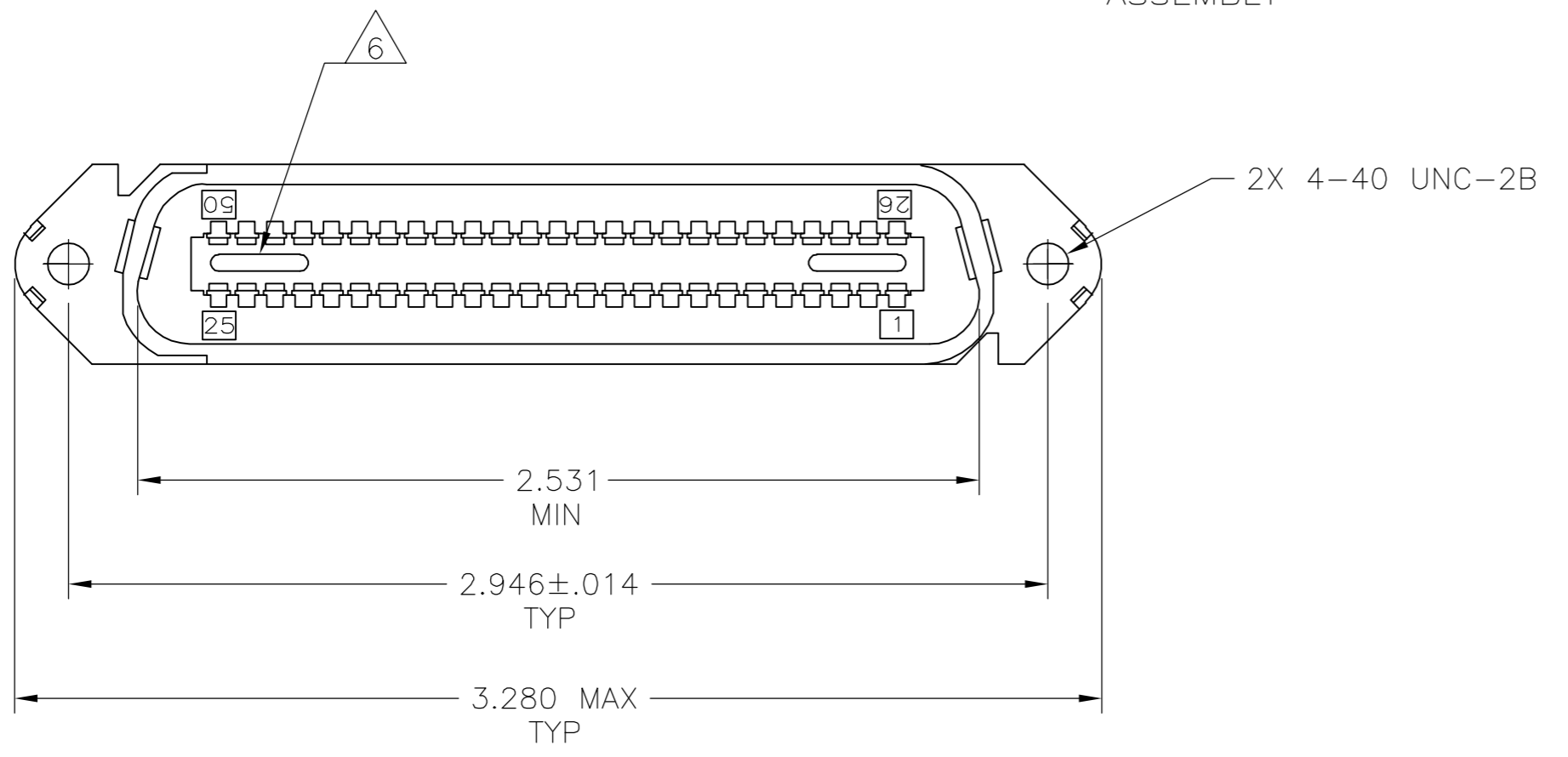
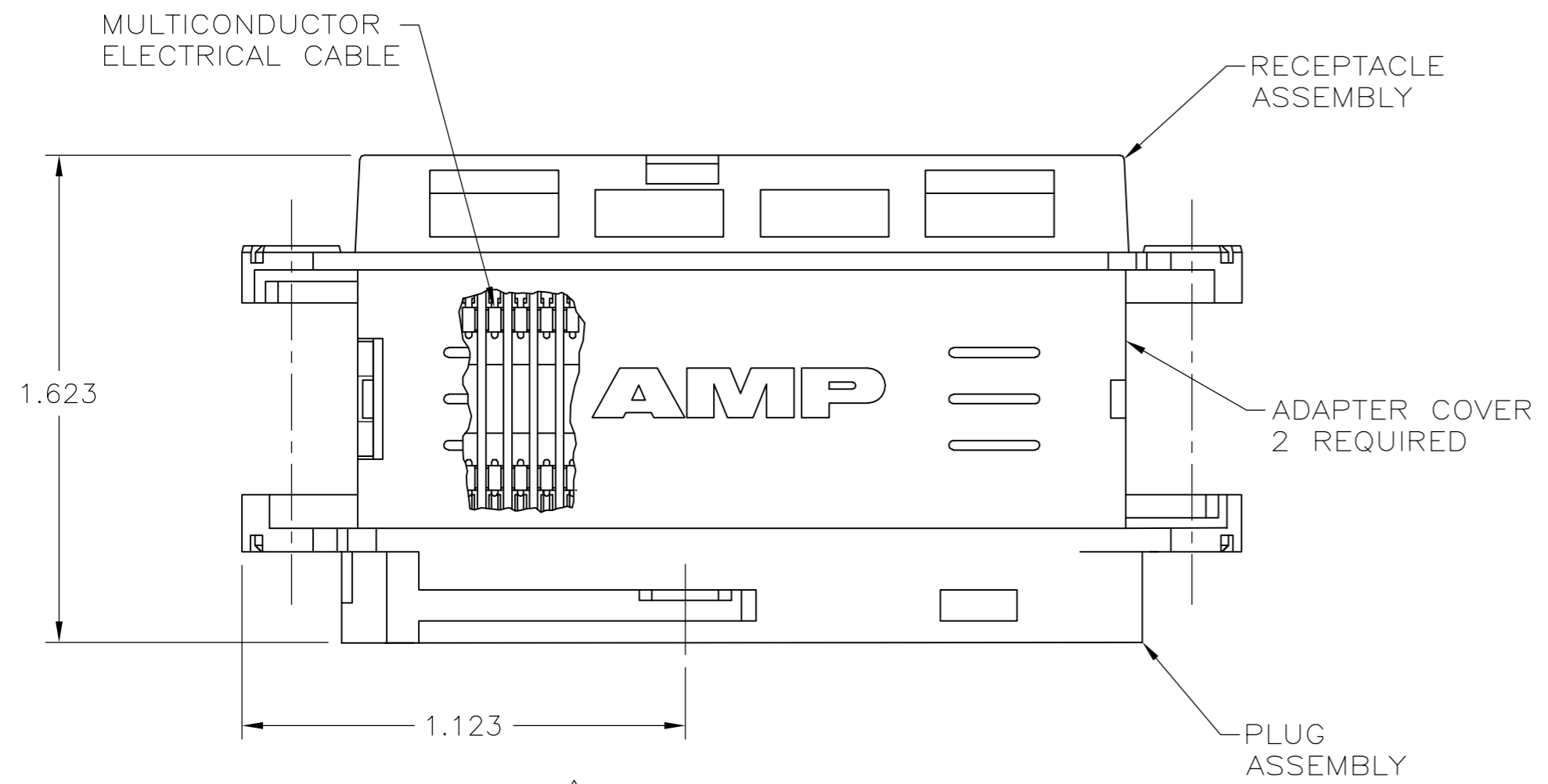


THIS DRAWING IS UNPUBLISHED. RELEASED FOR PUBLICATION JAN. 8, 1982.  
 © COPYRIGHT BY TYCO ELECTRONICS CORPORATION. ALL RIGHTS RESERVED.

LOC		DIST		REVISIONS					
GP		00		P	LTR	DESCRIPTION	DATE	DWN	APVD
				A		RELEASED	05MAR07	BM	WM



1. LIKE NUMBERED CONTACTS ON BOTH CONNECTORS ARE ELECTRICALLY COMMON.
2. THE CONTACT SURFACES OF THE TERMINALS ARE COATED WITH LUBRICANT.
3. MATERIAL: HOUSING & COVERS – THERMOPLASTIC (BLACK) TERMINALS – HIGH STRENGTH COPPER ALLOY PLATED WITH EITHER 30μ MIN GOLD OR GOLD FLASH OVER 30μ MIN PALLADIUM NICKEL ON CONTACT MATING SURFACE, OVER 50μ MIN NICKEL PLATING.
4. ALL DIMENSIONS SHOWN ARE FOR REFERENCE ONLY UNLESS OTHERWISE SPECIFIED.
5. CENTER-TO-CENTER SPACING OF TERMINALS IS .085.
6. CORING MAY OR MAY NOT APPEAR AND IS AT THE DISCRETION OF TYCO ELECTRONICS.



THIS DRAWING IS A CONTROLLED DOCUMENT.		DWN B. MCMASTER	05MAR07	AS SHOWN		5552705-1	
DIMENSIONS: INCHES		CHK W. MILLHIMES	05MAR07	DESCRIPTION		PART NUMBER	
TOLERANCES UNLESS OTHERWISE SPECIFIED:		APVD W. MILLHIMES	05MAR07	NAME		Tyco Electronics Corporation Harrisburg, PA 17105-3608	
0 PLC ± -		PRODUCT SPEC		ASSEMBLY, WIRE ADAPTER, 50 POSITION (CHAMP-LOK, PLUG/RECEPTACLE)		RESTRICTED TO	
1 PLC ± -		APPLICATION SPEC		SIZE	CAGE CODE	DRAWING NO	
2 PLC ± -		WEIGHT		A2	00779	C=5552705	
3 PLC ± -		CUSTOMER DRAWING		SCALE	SHEET	REV	
4 PLC ± -				2:1	1 of 1	A	
ANGLES ± -							
FINISH							