

**Contact assignment:**

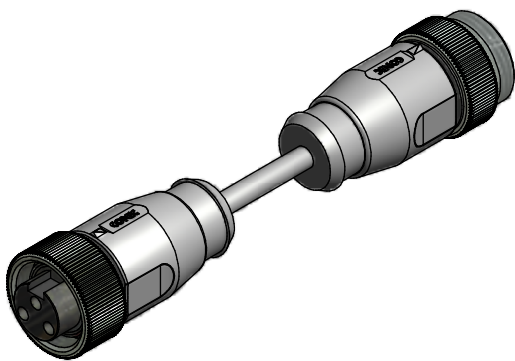
- PE) green-yellow
- 2) brown
- 3) blue

**Technical specification:**

Rated voltage: IEC 60664-1	300 V
Overvoltage category: IEC 60664-1	2
Overvoltage: IEC 60664-1	2,7 kV
Current rating: IEC 60512-3 at 40°C	0,75mm <sup>2</sup> 1,5mm <sup>2</sup> 8 A 12 A
Insulation resistance: IEC 60512	>=100 MΩ
Pollution degree: IEC 60664-1	3/2
Degree of protection: IEC 60529	IP 68, in mated condition
Temperature range: IEC 60664-1	-30°C ... +80°C
Mating cycles: IEC 60512-9a	>=100
Termination:	crimped

**Materials:**

Contact:	CuZn
Contact plating:	Nickel, gold plated
Contact carrier:	TPU, UL 94
Coupling nut/ screw:	CuZn, nickel plated
Moulding body:	TPU, UL 94, grey



Part no:	Description:	Length L:	Cable:
41-01193	SAL - 7/8 - RK2PE - RS2PE - 0,6 / A6	0,6m	PVC, UL 20207, grey, 3x0,75mm <sup>2</sup> Cable: 781-A67500
41-01194	SAL - 7/8 - RK2PE - RS2PE - 1 / A6	1m	
41-01195	SAL - 7/8 - RK2PE - RS2PE - 1,5 / A6	1,5m	
41-01196	SAL - 7/8 - RK2PE - RS2PE - 2 / A6	2m	
41-xxxxx	SAL - 7/8 - RK2PE - RS2PE - ... / A6	x	
41-01241	SAL - 7/8 - RK2PE - RS2PE - 0,6 / A6 / 150	0,6m	PVC, UL 20207, grey, 3x1,50mm <sup>2</sup> Cable: 781-A68300
41-01242	SAL - 7/8 - RK2PE - RS2PE - 1 / A6 / 150	1m	
41-01243	SAL - 7/8 - RK2PE - RS2PE - 1,5 / A6 / 150	1,5m	
41-01244	SAL - 7/8 - RK2PE - RS2PE - 2 / A6 / 150	2m	
41-xxxxx	SAL - 7/8 - RK2PE - RS2PE - ... / A6 / 150	x	

D see data sheet cable

DO NOT ALTER CAD DRAWING BY HAND	Directive 2002/95/EC RoHS compliant	Index: b 14.02.11 VF Ä3891 cable type changed, technical specification changed, part no. cable in table added, neutral line added	dim. in mm	title: <b>Connecting cable 7/8", female connector axial - male connector axial</b> dwg no: <div style="text-align: center; font-size: 1.2em; font-weight: bold;">41K1A355</div> part no: <b>see table</b>									
		tolerance of cable: L ≤ 4m: L + 40mm L > 4m: L + 1%			<table border="1" style="font-size: 0.8em;"> <tr> <td></td> <td>date</td> <td>name</td> </tr> <tr> <td>drawn</td> <td>11.02.08</td> <td>Franz</td> </tr> <tr> <td>appd.</td> <td>11.02.08</td> <td>Mankopf</td> </tr> </table>		date	name	drawn	11.02.08	Franz	appd.	11.02.08
			date		name								
		drawn	11.02.08		Franz								
appd.	11.02.08	Mankopf											
THIS DRAWING MAY NOT BE COPIED OR REPRODUCED IN ANY WAY, AND MAY NOT BE PASSED ON TO A THIRD PARTY WITHOUT WRITTEN PERMISSION. OWNERSHIP AND COPYRIGHT OF CONEC GmbH													