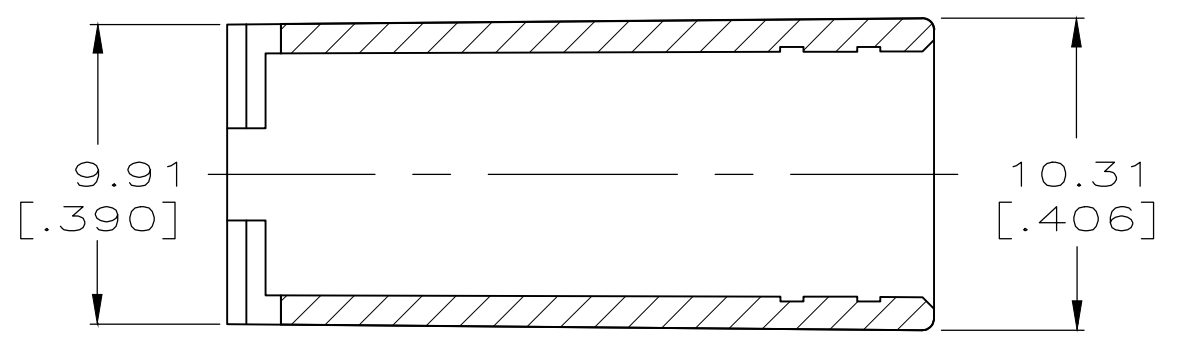
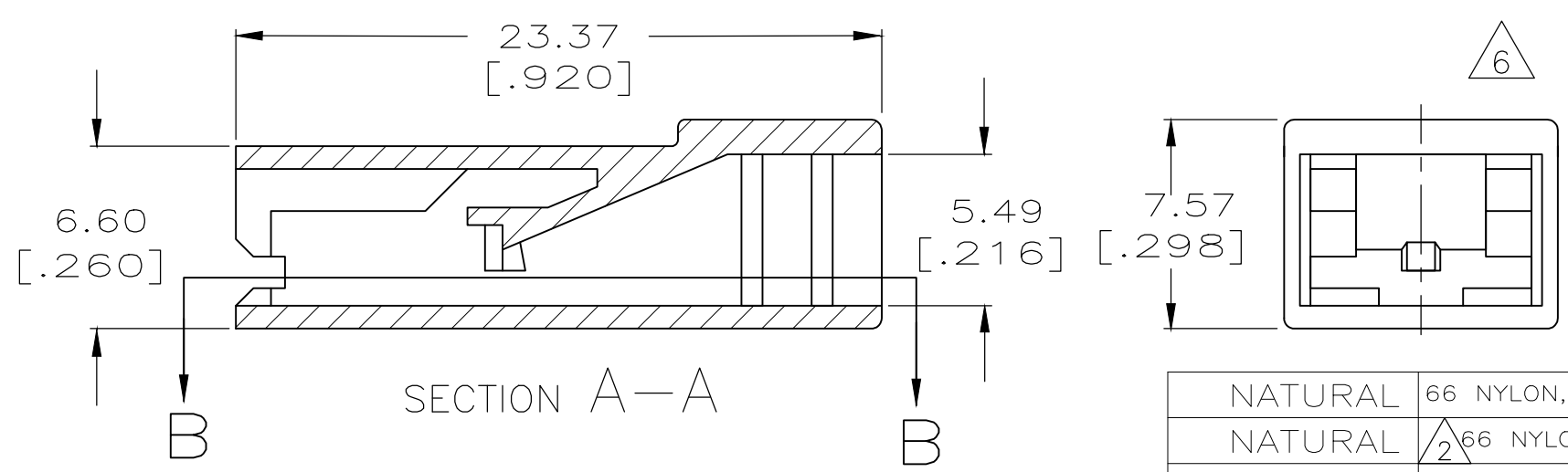


THIS DRAWING IS UNPUBLISHED. RELEASED FOR PUBLICATION
 © COPYRIGHT - By - ALL RIGHTS RESERVED.

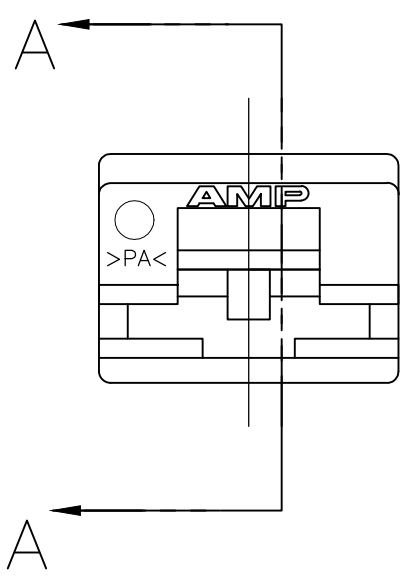
REVISIONS				
P	LTR	DESCRIPTION	DATE	APVD
	AC10	REVISED PER ECR-18-006282	24MAY2018	BDA DS



SECTION B-B



SECTION A-A



- 1 SPECIAL PACKAGING QUANTITIES.
- 2 POLYAMIDE ACCORDING TO IEC 60335-1, GLOW WIRE.
- 3 PRELIMINARY - NOT FOR PRODUCTION
- 5 CONTACT PRODUCT ENGINEERING FOR TERMINAL RECOMMENDATIONS WHEN USING THIS INSULATOR WITH 10 AWG WIRE
- 6 NOT FOR PRODUCTION: AGENCY APPROVAL IS PENDING.

SUPERSEDED BY 2-480416-5
 SUPERSEDED BY 1-480416-0
 OBSOLETE
 SUPERSEDED BY 1-480416-0

FINISH	MATERIAL	PART NO
NATURAL	66 NYLON, UL94 V0 150C	2-480416-4
NATURAL	66 NYLON, UL94 V0	2-480416-3
NATURAL	UL94 V2	2-480416-2
NATURAL	6/6 NYLON	2-480416-1
NATURAL	UL94 5VA RATED	2-480416-0
NATURAL	4/6 NYLON UL 150	1-480416-8
NATURAL	66 NYLON, V0	1-480416-7
NATURAL	POLYESTER	1-480416-6
RED	6/6 NYLON	1-480416-4
BLUE		1-480416-3
BLACK		1-480416-1
NATURAL		1-480416-0

6	NATURAL	66 UL NYLON V0 NATURAL	2-480416-5
6	BLACK	66/6 V0 BLACK	480416-2
6	NATURAL	66/6 V0 NATURAL	480416-1
	FINISH	MATERIAL	PART NO

THIS DRAWING IS A CONTROLLED DOCUMENT.

DWN	JR RUTH	2/4/91
CHK	P FORTNEY	2/4/91
APVD	C MEYERS	2/4/91
PRODUCT SPEC	NAME	
APPLICATION SPEC	HOUSING, RECEPTACLE, FASTON, 6.35 [.250] SERIES	
WEIGHT	SIZE	CAGE CODE
	A3	00779
	DRAWING NO	RESTRICTED TO
	C-480416	-
CUSTOMER DRAWING	SCALE	SHEET
	4:1	1 OF 1
	REV	AC10