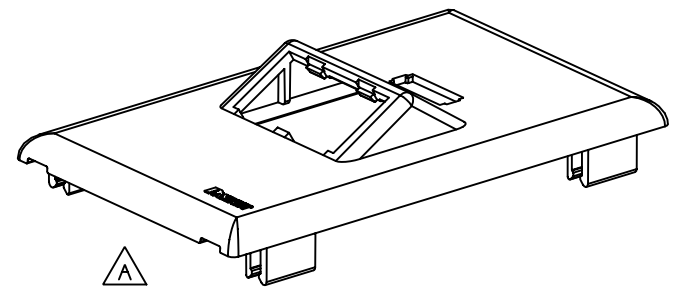
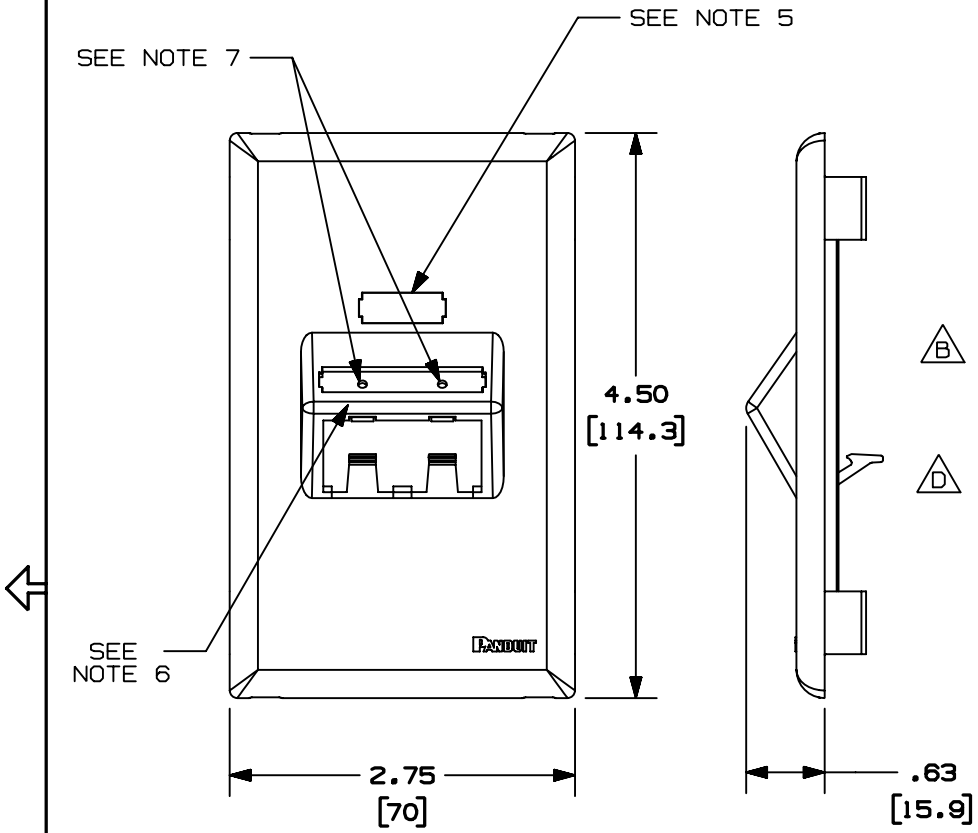


THIS COPY IS PROVIDED ON A RESTRICTED BASIS AND IS NOT TO BE USED IN ANY WAY DETRIMENTAL TO THE INTERESTS OF PANDUIT CORP.

| PANDUIT P/N | WEIGHT             |
|-------------|--------------------|
| UIT70FV2    | .07 LB/PC (35g/PC) |
| OF70FV2     |                    |

△  
**NOTES:**

1. SEE CURRENT CATALOG FOR ADDITIONAL PART SUFFIXES TO INDICATE COLOR AND OR PACKAGE QUANTITY.
2. THE UIT70FV2 ACCEPTS TWO (2) MINI-COM MODULES.
3. DIMENSIONS IN PARENTHESIS ARE IN METRIC.
4. THE UIT70FV2 FACEPLATE CAN BE USED WITH PANDUIT SURFACE RACEWAY SYSTEMS AND BOXES THAT ACCEPT 70mm SNAP-ON FACEPLATES (INCLUDES: T-70, TWIN-70, TE70, TG-70, ETC.)
5. POCKET TO BE USED WITH PANDUIT PART NUMBER UILC1\*\*.
6. POCKET TO BE USED WITH PANDUIT PART NUMBER UILC2\*\*.
7. POCKETS TO BE USED WITH PANDUIT PART NUMBER UICIB\*\*, UICIP\*\*, OR UICID\*\*.
8. THE OF70FV2 FACEPLATE CAN BE USED WITH PANDUIT OFFICE FURNITURE CORNER RACEWAY.



CAD FILENAME/LAYERS D38316BD\_DC\_UIT70FV2\_01B.prt

**PANDUIT** CORP TINLEY PARK, ILLINOIS

△  
ULTIMATE I.D. TWO MINI-COM MODULE  
VERTICAL SLOPED SNAP-ON FACEPLATE  
(UIT70FV2 & OF70FV2)  
CUSTOMER DRAWING

UNLESS OTHERWISE SPECIFIED,  
DIMENSIONAL TOLERANCES ARE:  
(.X) ± (.XXX) ±  
(.XX) ± .03(.8) ANGLES ±

UNLESS OTHERWISE SPECIFIED,  
ALL DIMENSIONS ARE GIVEN IN  
INCHES, THIRD ANGLE PROJECTION.

|     |          |      |      |   |          |      |      |      |     |      |       |     |  |
|-----|----------|------|------|---|----------|------|------|------|-----|------|-------|-----|--|
| 2   | 04-25-03 | JBN  | PM   | D. ADDED NOTE 8<br>C. ADDED PART NUMBER OF70FV2 | 38316-07 | RGRO | RGRO |      |     |      |       |     |  |
| 1   | 07-10-02 | JHEP | RGRO | B. REVISED NOTE 5<br>A. REVISED MODEL           | 38316-07 | RGRO |      |      |     |      |       |     |  |
| R   | 12-06-01 | MSO  | CEO  | RELEASED TO PRODUCTION                          | 38316-07 | RGRO |      |      |     |      |       |     |  |
| REV | DATE     | BY   | CHK  | DESCRIPTION                                     | ECN      | -    | R    | CUST | SUP | GMBH | CHK'D | CEO |  |

|          |          |        |     |             |          |     |
|----------|----------|--------|-----|-------------|----------|-----|
| DRAWN BY | MSO      | MAT'L: | PVC | SCALE       | NONE     |     |
| DATE     | 12-06-01 |        |     | DRAWING NO. | 38316-07 | DWG |
| SIZE     |          |        |     |             |          |     |