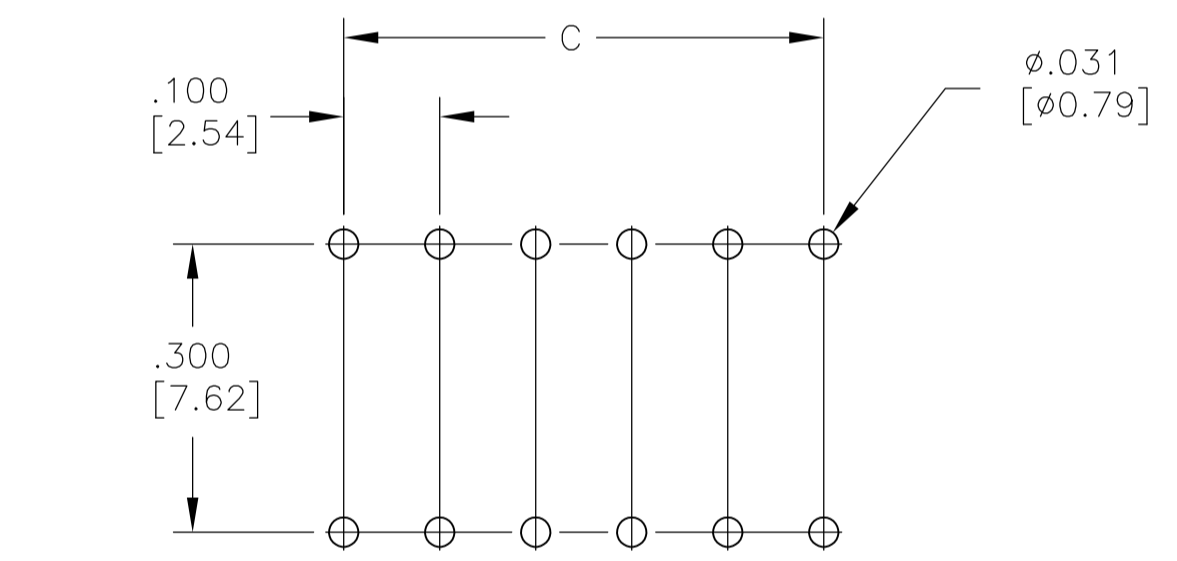
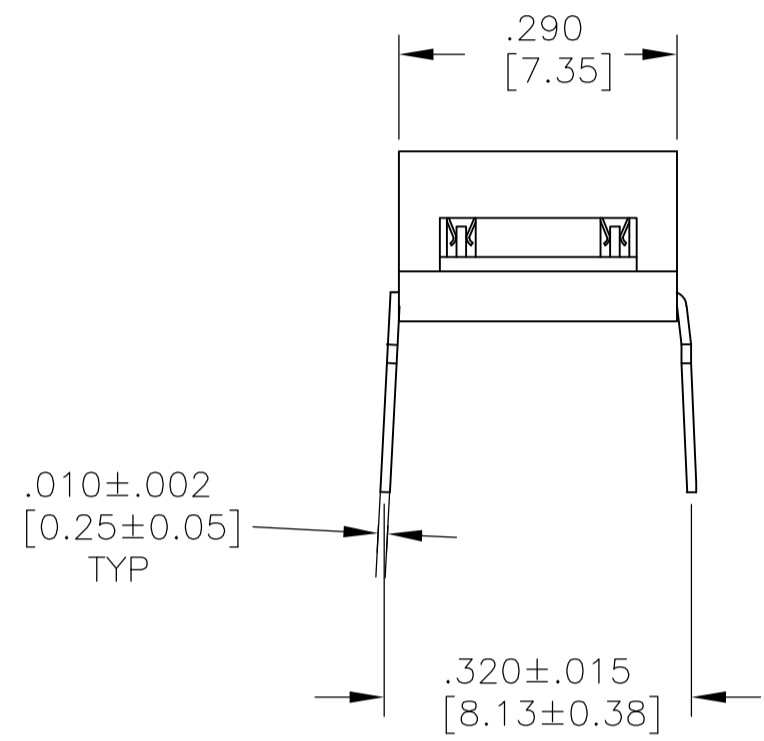
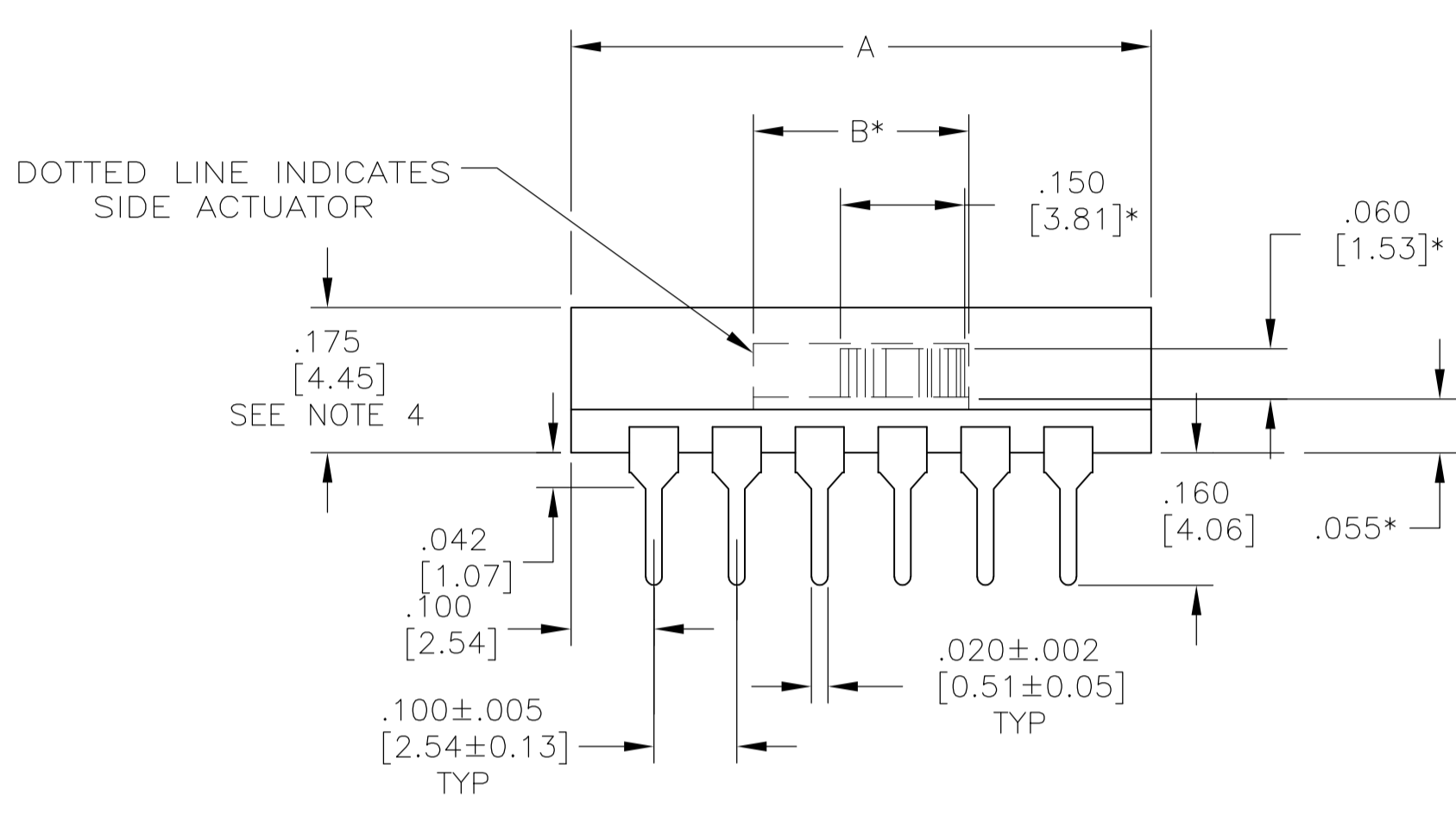
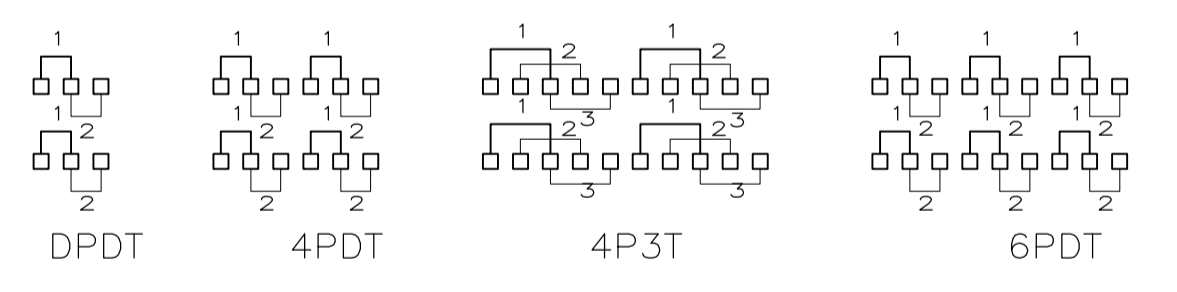


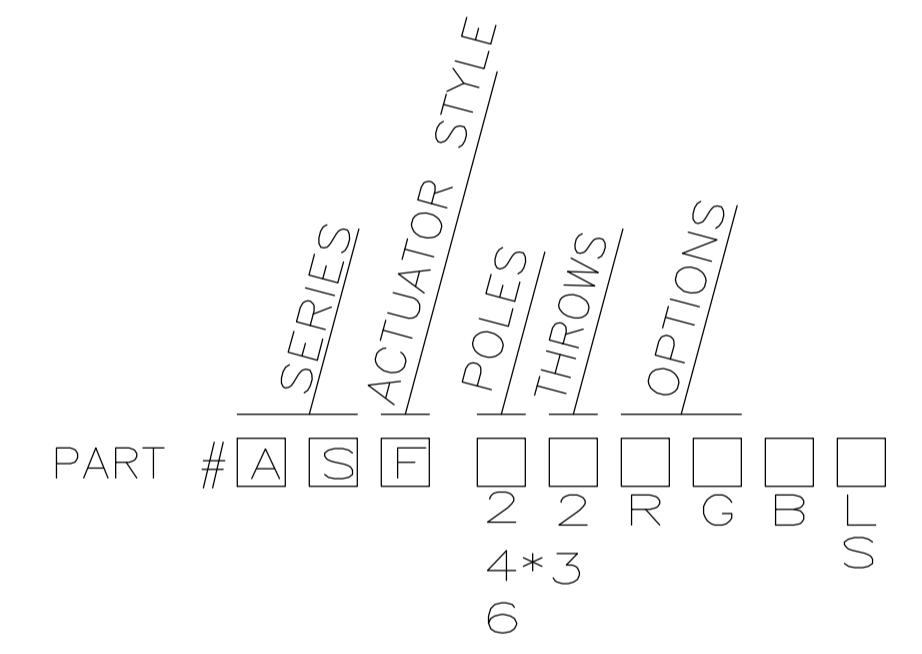
* SIDE ACTUATOR ONLY.



PRINTED CIRCUIT BOARD HOLE PATTERN



CIRCUIT DIAGRAMS



E = EXTENDED ACTUATOR
 F = FLUSH ACTUATOR
 *3 = THROW AVAILABLE
 R = SIDE ACTUATOR
 G = GOLD CONTACTS (BLANK SILVER)
 B = BLACK ACTUATOR
 L = GULL WING STYLE SURFACE MOUNT
 S = J-LEAD STYLE SURFACE MOUNT
 TR = TAPE AND REEL PACKAGING

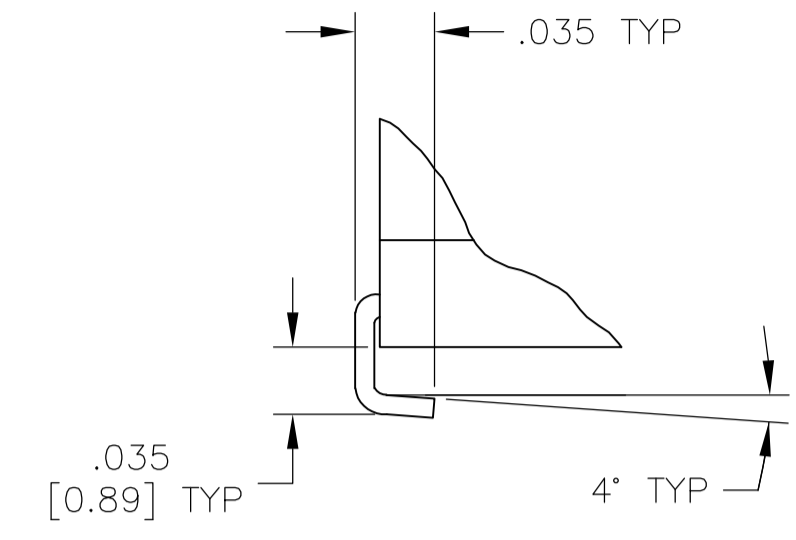
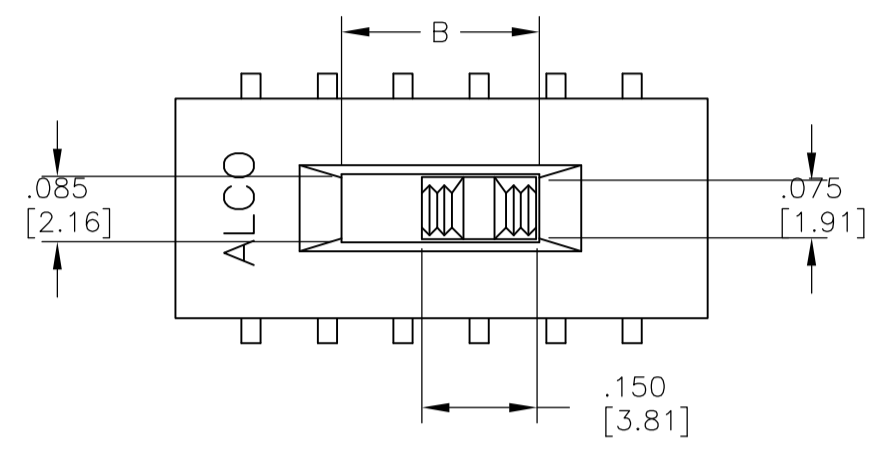
SPECIFICATIONS:

MATERIAL:
 BASE & COVER— PCT UL94V-0, BLACK.
 ACTUATOR— NYLON PA46 UL94V-0, NATURAL
 MOVING CONTACT— COPPER ALLOY,
 SILVER OR GOLD OVER NICKEL
 FIXED CONTACT— COPPER ALLOY
 SILVER OR GOLD OVER NICKEL
 TERMINAL— COPPER ALLOY TIN OVER NICKEL

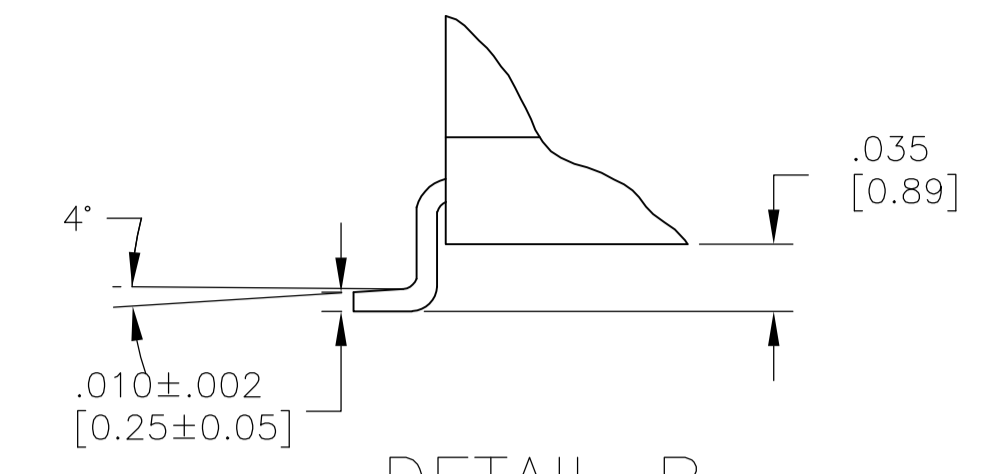
ELECTRICAL:
 CONTACT RATING: SILVER: 300 MILLIAMPS @ 115 VAC.
 GOLD: 0.4 VA 20 VDC.
 CONTACT RESISTANCE: INITIAL 40 MILLIOHMS MAX.
 INSULATION RESISTANCE: 1000 MEGOHMS MAX.
 DIELECTRIC STRENGTH: 600 VOLTS RMS AT SEA LEVEL.
 LIFE EXPECTANCY: 15,000 CYCLES MIN.

ENVIRONMENTAL:
 OPERATING TEMPERATURE: -40°F TO +176°F (-40° TO 80°)
 SOLDER HEAT RESISTANCE PER 109-202, COND B (THRU-HOLE)
 & 109-201, COND B (SMT)
 PROCESS CLEANING: WILL WITHSTAND AQUEOUS OR SOLVENT
 CLEANING PROCESSES.
 SOLDERABILITY PER EIA 364-52 CLASS 2 CATEGORY 1

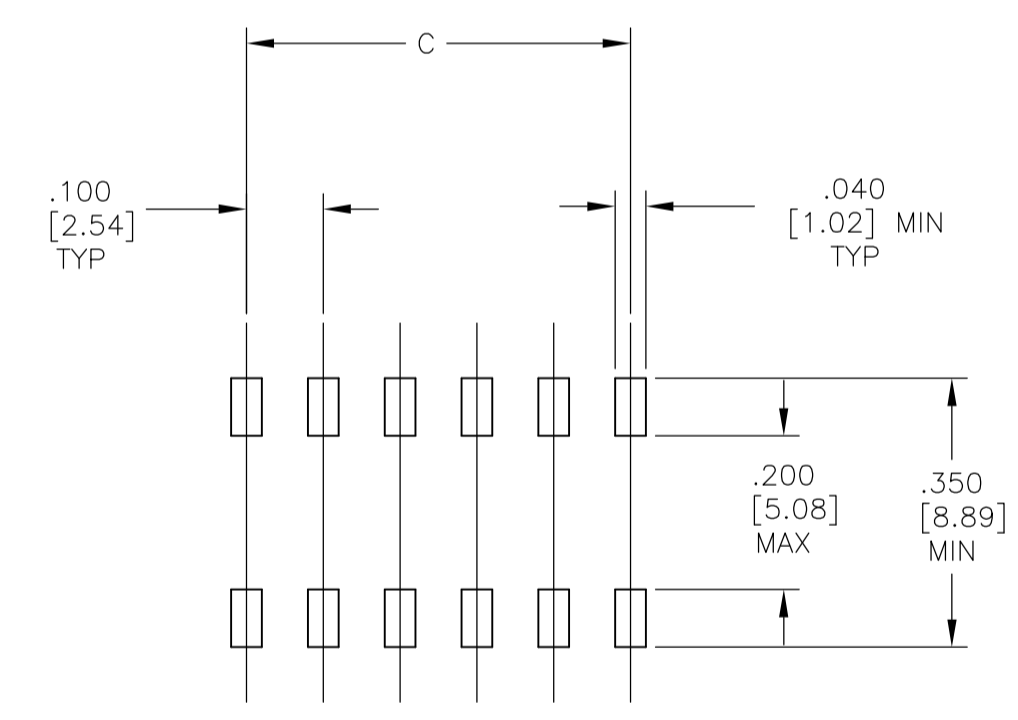
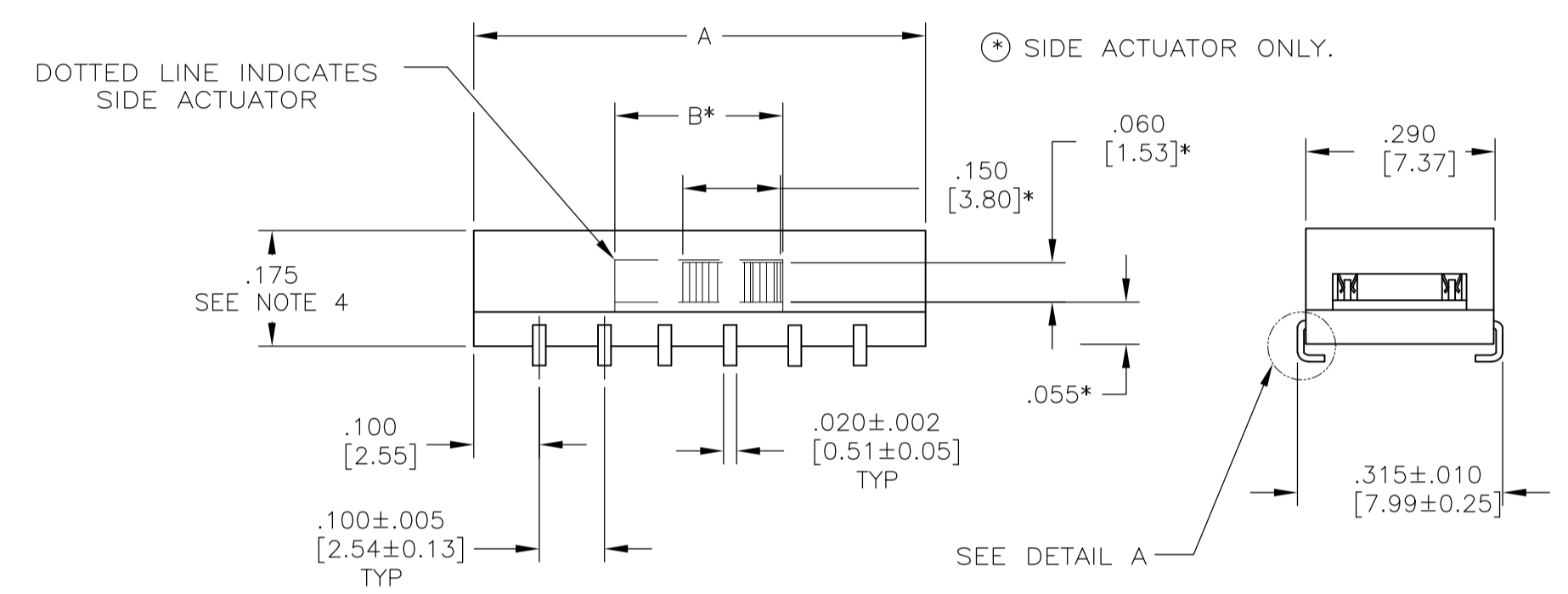
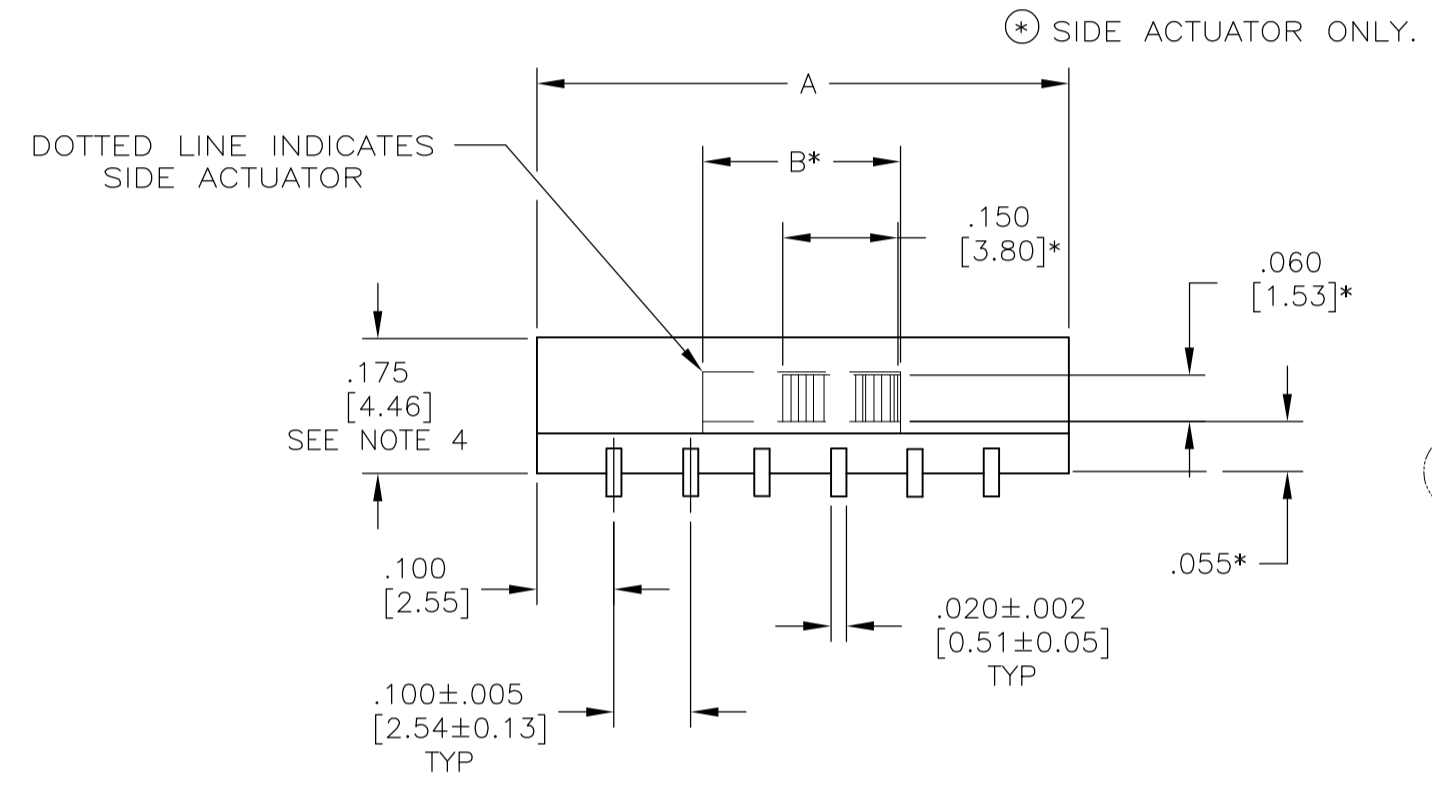
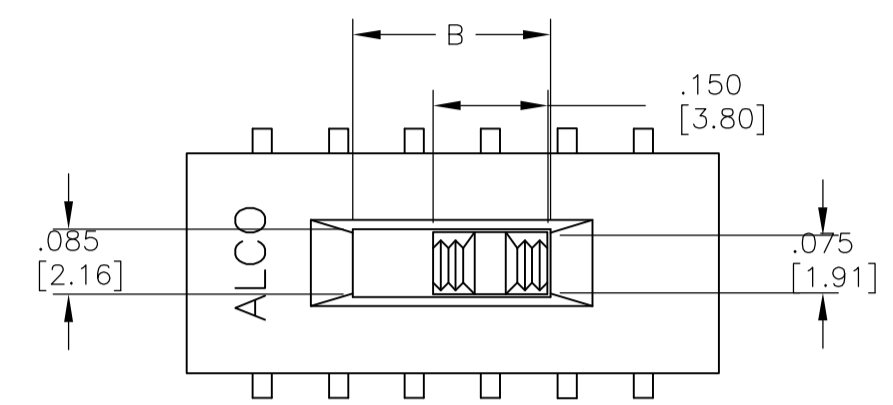
| QTY | DESCRIPTION | DIM D | DIM C | DIM B | DIM A | FINISH (ABCD) | MTG STYLE | ACTUATION | FUNCTION | ALCO P/N | P/N |
|-----|-------------|--------------|---------------|--------------|---------------|---------------|-----------|-----------|----------|--------------|-------------|
| 5 | T & R | 0.105 [2.67] | 0.200 [5.08] | 0.260 [6.60] | 0.400 [10.16] | SILVER | SMT | TOP | DPDT | ASF7126004 | 8-1825011-0 |
| | T & R | 0.230 [5.82] | 0.800 [20.32] | 0.260 [6.60] | 1.000 [25.40] | SILVER | SMT | SIDE | 6PDT | ASF62RSTR04 | 8-1825011-1 |
| | TUBE | 0.230 [5.82] | 0.800 [20.32] | 0.260 [6.60] | 1.000 [25.40] | SILVER | SMT | SIDE | 6PDT | ASF62RS04 | 7-1825011-9 |
| | T & R | 0.230 [5.82] | 0.800 [20.32] | 0.260 [6.60] | 1.000 [25.40] | GOLD | SMT | SIDE | 6PDT | ASF62RGS04 | 7-1825011-8 |
| | TUBE | 0.230 [5.82] | 0.800 [20.32] | 0.260 [6.60] | 1.000 [25.40] | GOLD | SMT | SIDE | 6PDT | ASF62RGS04 | 7-1825011-7 |
| | T & R | 0.230 [5.82] | 0.800 [20.32] | 0.260 [6.60] | 1.000 [25.40] | SILVER | SMT | SIDE | 6PDT | ASF62RLR04 | 7-1825011-6 |
| | TUBE | 0.230 [5.82] | 0.800 [20.32] | 0.260 [6.60] | 1.000 [25.40] | SILVER | SMT | SIDE | 6PDT | ASF62RLO4 | 7-1825011-5 |
| | T & R | 0.230 [5.82] | 0.800 [20.32] | 0.260 [6.60] | 1.000 [25.40] | GOLD | SMT | SIDE | 6PDT | ASF62RGLR04 | 7-1825011-4 |
| | TUBE | 0.230 [5.82] | 0.800 [20.32] | 0.260 [6.60] | 1.000 [25.40] | GOLD | SMT | SIDE | 6PDT | ASF62RGL04 | 7-1825011-3 |
| | T & R | 0.230 [5.82] | 0.800 [20.32] | 0.260 [6.60] | 1.000 [25.40] | SILVER | SMT | TOP | 6PDT | ASF62STR04 | 7-1825011-2 |
| | TUBE | 0.230 [5.82] | 0.800 [20.32] | 0.260 [6.60] | 1.000 [25.40] | SILVER | SMT | TOP | 6PDT | ASF62S04 | 7-1825011-1 |
| | T & R | 0.230 [5.82] | 0.800 [20.32] | 0.260 [6.60] | 1.000 [25.40] | GOLD | SMT | TOP | 6PDT | ASF62GSTR04 | 7-1825011-0 |
| | TUBE | 0.230 [5.82] | 0.800 [20.32] | 0.260 [6.60] | 1.000 [25.40] | GOLD | SMT | TOP | 6PDT | ASF62GS04 | 6-1825011-9 |
| | T & R | 0.230 [5.82] | 0.800 [20.32] | 0.260 [6.60] | 1.000 [25.40] | SILVER | SMT | TOP | 6PDT | ASF62LTR04 | 6-1825011-8 |
| | TUBE | 0.230 [5.82] | 0.800 [20.32] | 0.260 [6.60] | 1.000 [25.40] | SILVER | SMT | TOP | 6PDT | ASF62L04 | 6-1825011-7 |
| | T & R | 0.230 [5.82] | 0.800 [20.32] | 0.260 [6.60] | 1.000 [25.40] | GOLD | SMT | TOP | 6PDT | ASF62GLTR04 | 6-1825011-6 |
| | TUBE | 0.230 [5.82] | 0.800 [20.32] | 0.260 [6.60] | 1.000 [25.40] | GOLD | SMT | TOP | 6PDT | ASF62GL04 | 6-1825011-5 |
| | TUBE | 0.230 [5.82] | 0.800 [20.32] | 0.260 [6.60] | 1.000 [25.40] | GOLD | THRU-HOLE | SIDE | 6PDT | ASF62RG04 | 6-1825011-4 |
| | TUBE | 0.230 [5.82] | 0.800 [20.32] | 0.260 [6.60] | 1.000 [25.40] | SILVER | THRU-HOLE | SIDE | 6PDT | ASF62R04 | 6-1825011-3 |
| | TUBE | 0.230 [5.82] | 0.800 [20.32] | 0.260 [6.60] | 1.000 [25.40] | GOLD | THRU-HOLE | TOP | 6PDT | ASF62G04 | 6-1825011-2 |
| | T & R | 0.230 [5.82] | 0.900 [22.86] | 0.360 [9.14] | 1.100 [27.94] | SILVER | SMT | SIDE | 4P3T | ASF6204 | 6-1825011-1 |
| | TUBE | 0.230 [5.82] | 0.900 [22.86] | 0.360 [9.14] | 1.100 [27.94] | SILVER | SMT | SIDE | 4P3T | ASF43RSTR04 | 6-1825011-0 |
| | T & R | 0.230 [5.82] | 0.900 [22.86] | 0.360 [9.14] | 1.100 [27.94] | SILVER | SMT | SIDE | 4P3T | ASF43RS04 | 5-1825011-9 |
| | TUBE | 0.230 [5.82] | 0.900 [22.86] | 0.360 [9.14] | 1.100 [27.94] | GOLD | SMT | SIDE | 4P3T | ASF43RGS04 | 5-1825011-8 |
| | T & R | 0.230 [5.82] | 0.900 [22.86] | 0.360 [9.14] | 1.100 [27.94] | GOLD | SMT | SIDE | 4P3T | ASF43RGS04 | 5-1825011-7 |
| | TUBE | 0.230 [5.82] | 0.900 [22.86] | 0.360 [9.14] | 1.100 [27.94] | SILVER | SMT | SIDE | 4P3T | ASF43RLTR04 | 5-1825011-6 |
| | T & R | 0.230 [5.82] | 0.900 [22.86] | 0.360 [9.14] | 1.100 [27.94] | SILVER | SMT | SIDE | 4P3T | ASF43RL04 | 5-1825011-5 |
| | TUBE | 0.230 [5.82] | 0.900 [22.86] | 0.360 [9.14] | 1.100 [27.94] | GOLD | SMT | SIDE | 4P3T | ASF43RGLTR04 | 5-1825011-4 |
| | T & R | 0.230 [5.82] | 0.900 [22.86] | 0.360 [9.14] | 1.100 [27.94] | GOLD | SMT | SIDE | 4P3T | ASF43RGL04 | 5-1825011-3 |
| | TUBE | 0.230 [5.82] | 0.900 [22.86] | 0.360 [9.14] | 1.100 [27.94] | SILVER | SMT | TOP | 4P3T | ASF43STR04 | 5-1825011-2 |
| | T & R | 0.230 [5.82] | 0.900 [22.86] | 0.360 [9.14] | 1.100 [27.94] | SILVER | SMT | TOP | 4P3T | ASF43S04 | 5-1825011-1 |
| | TUBE | 0.230 [5.82] | 0.900 [22.86] | 0.360 [9.14] | 1.100 [27.94] | GOLD | SMT | TOP | 4P3T | ASF43GSTR04 | 5-1825011-0 |
| | T & R | 0.230 [5.82] | 0.900 [22.86] | 0.360 [9.14] | 1.100 [27.94] | GOLD | SMT | TOP | 4P3T | ASF43GS04 | 4-1825011-9 |
| | TUBE | 0.230 [5.82] | 0.900 [22.86] | 0.360 [9.14] | 1.100 [27.94] | SILVER | SMT | TOP | 4P3T | ASF43LTR04 | 4-1825011-8 |
| | T & R | 0.230 [5.82] | 0.900 [22.86] | 0.360 [9.14] | 1.100 [27.94] | SILVER | SMT | TOP | 4P3T | ASF43L04 | 4-1825011-7 |
| | TUBE | 0.230 [5.82] | 0.900 [22.86] | 0.360 [9.14] | 1.100 [27.94] | GOLD | SMT | TOP | 4P3T | ASF43GL04 | 4-1825011-6 |
| | T & R | 0.230 [5.82] | 0.900 [22.86] | 0.360 [9.14] | 1.100 [27.94] | GOLD | SMT | TOP | 4P3T | ASF43GL04 | 4-1825011-5 |
| | TUBE | 0.230 [5.82] | 0.900 [22.86] | 0.360 [9.14] | 1.100 [27.94] | GOLD | THRU-HOLE | SIDE | 4P3T | ASF43RG04 | 4-1825011-4 |
| | TUBE | 0.230 [5.82] | 0.900 [22.86] | 0.360 [9.14] | 1.100 [27.94] | SILVER | THRU-HOLE | SIDE | 4P3T | ASF43R04 | 4-1825011-3 |
| | TUBE | 0.230 [5.82] | 0.900 [22.86] | 0.360 [9.14] | 1.100 [27.94] | GOLD | THRU-HOLE | TOP | 4P3T | ASF43G04 | 4-1825011-2 |
| | TUBE | 0.230 [5.82] | 0.900 [22.86] | 0.360 [9.14] | 1.100 [27.94] | SILVER | THRU-HOLE | TOP | 4P3T | ASF4304 | 4-1825011-1 |
| | T & R | 0.230 [5.82] | 0.500 [12.70] | 0.260 [6.60] | 0.700 [17.78] | SILVER | SMT | SIDE | 4PDT | ASF42RSTR04 | 4-1825011-0 |
| | TUBE | 0.230 [5.82] | 0.500 [12.70] | 0.260 [6.60] | 0.700 [17.78] | SILVER | SMT | SIDE | 4PDT | ASF42RS04 | 3-1825011-9 |
| | T & R | 0.230 [5.82] | 0.500 [12.70] | 0.260 [6.60] | 0.700 [17.78] | GOLD | SMT | SIDE | 4PDT | ASF42RGS04 | 3-1825011-8 |
| | TUBE | 0.230 [5.82] | 0.500 [12.70] | 0.260 [6.60] | 0.700 [17.78] | GOLD | SMT | SIDE | 4PDT | ASF42RGS04 | 3-1825011-7 |
| | T & R | 0.230 [5.82] | 0.500 [12.70] | 0.260 [6.60] | 0.700 [17.78] | SILVER | SMT | SIDE | 4PDT | ASF42RLTR04 | 3-1825011-6 |
| | TUBE | 0.230 [5.82] | 0.500 [12.70] | 0.260 [6.60] | 0.700 [17.78] | SILVER | SMT | SIDE | 4PDT | ASF42RL04 | 3-1825011-5 |
| | T & R | 0.230 [5.82] | 0.500 [12.70] | 0.260 [6.60] | 0.700 [17.78] | GOLD | SMT | SIDE | 4PDT | ASF42RGLTR04 | 3-1825011-4 |
| | TUBE | 0.230 [5.82] | 0.500 [12.70] | 0.260 [6.60] | 0.700 [17.78] | GOLD | SMT | SIDE | 4PDT | ASF42RGL04 | 3-1825011-3 |
| | T & R | 0.230 [5.82] | 0.500 [12.70] | 0.260 [6.60] | 0.700 [17.78] | SILVER | SMT | TOP | 4PDT | ASF42STR04 | 3-1825011-2 |
| | TUBE | 0.230 [5.82] | 0.500 [12.70] | 0.260 [6.60] | 0.700 [17.78] | SILVER | SMT | TOP | 4PDT | ASF42S04 | 3-1825011-1 |
| | T & R | 0.230 [5.82] | 0.500 [12.70] | 0.260 [6.60] | 0.700 [17.78] | GOLD | SMT | TOP | 4PDT | ASF42GSTR04 | 3-1825011-0 |
| | TUBE | 0.230 [5.82] | 0.500 [12.70] | 0.260 [6.60] | 0.700 [17.78] | GOLD | SMT | TOP | 4PDT | ASF42GS04 | 2-1825011-9 |
| | T & R | 0.230 [5.82] | 0.500 [12.70] | 0.260 [6.60] | 0.700 [17.78] | SILVER | SMT | TOP | 4PDT | ASF42LTR04 | 2-1825011-8 |
| | TUBE | 0.230 [5.82] | 0.500 [12.70] | 0.260 [6.60] | 0.700 [17.78] | SILVER | SMT | TOP | 4PDT | ASF42L04 | 2-1825011-7 |
| | T & R | 0.230 [5.82] | 0.500 [12.70] | 0.260 [6.60] | 0.700 [17.78] | GOLD | SMT | TOP | 4PDT | ASF42GLTR04 | 2-1825011-6 |
| | TUBE | 0.230 [5.82] | 0.500 [12.70] | 0.260 [6.60] | 0.700 [17.78] | GOLD | SMT | TOP | 4PDT | ASF42GL04 | 2-1825011-5 |
| | T & R | 0.230 [5.82] | 0.500 [12.70] | 0.260 [6.60] | 0.700 [17.78] | GOLD | THRU-HOLE | SIDE | 4PDT | ASF42RG04 | 2-1825011-4 |
| | TUBE | 0.230 [5.82] | 0.500 [12.70] | 0.260 [6.60] | 0.700 [17.78] | SILVER | THRU-HOLE | SIDE | 4PDT | ASF42R04 | 2-1825011-3 |
| | TUBE | 0.230 [5.82] | 0.500 [12.70] | 0.260 [6.60] | 0.700 [17.78] | GOLD | THRU-HOLE | TOP | 4PDT | ASF42G04 | 2-1825011-2 |
| | TUBE | 0.230 [5.82] | 0.500 [12.70] | 0.260 [6.60] | 0.700 [17.78] | SILVER | THRU-HOLE | TOP | 4PDT | ASF4204 | 2-1825011-1 |
| | T & R | 0.105 [2.67] | 0.200 [5.08] | 0.260 [6.60] | 0.400 [10.16] | SILVER | SMT | SIDE | DPDT | ASF22RSTR04 | 2-1825011-0 |
| | TUBE | 0.105 [2.67] | 0.200 [5.08] | 0.260 [6.60] | 0.400 [10.16] | SILVER | SMT | SIDE | DPDT | ASF22RS04 | 1-1825011-9 |
| | T & R | 0.105 [2.67] | 0.200 [5.08] | 0.260 [6.60] | 0.400 [10.16] | GOLD | SMT | SIDE | DPDT | ASF22RGS04 | 1-1825011-8 |
| | TUBE | 0.105 [2.67] | 0.200 [5.08] | 0.260 [6.60] | 0.400 [10.16] | GOLD | SMT | SIDE | DPDT | ASF22RGS04 | 1-1825011-7 |
| | T & R | 0.105 [2.67] | 0.200 [5.08] | 0.260 [6.60] | 0.400 [10.16] | SILVER | SMT | SIDE | DPDT | ASF22RLTR04 | 1-1825011-6 |
| | TUBE | 0.105 [2.67] | 0.200 [5.08] | 0.260 [6.60] | 0.400 [10.16] | SILVER | SMT | SIDE | DPDT | ASF22RL04 | 1-1825011-5 |
| | T & R | 0.105 [2.67] | 0.200 [5.08] | 0.260 [6.60] | 0.400 [10.16] | GOLD | SMT | SIDE | DPDT | ASF22RGLTR04 | 1-1825011-4 |
| | TUBE | 0.105 [2.67] | 0.200 [5.08] | 0.260 [6.60] | 0.400 [10.16] | GOLD | SMT | SIDE | DPDT | ASF22RGL04 | 1-1825011-3 |
| | T & R | 0.105 [2.67] | 0.200 [5.08] | 0.260 [6.60] | 0.400 [10.16] | SILVER | SMT | TOP | DPDT | ASF22STR04 | 1-1825011-2 |
| | TUBE | 0.105 [2.67] | 0.200 [5.08] | 0.260 [6.60] | 0.400 [10.16] | SILVER | SMT | TOP | DPDT | ASF22S04 | 1-1825011-1 |
| | T & R | 0.105 [2.67] | 0.200 [5.08] | 0.260 [6.60] | 0.400 [10.16] | GOLD | SMT | TOP | DPDT | ASF22GSTR04 | 1-1825011-0 |
| | TUBE | 0.105 [2.67] | 0.200 [5.08] | 0.260 [6.60] | 0.400 [10.16] | GOLD | SMT | TOP | DPDT | ASF22GS04 | 1825011-9 |
| | T & R | 0.105 [2.67] | 0.200 [5.08] | 0.260 [6.60] | 0.400 [10.16] | SILVER | SMT | TOP | DPDT | ASF22LTR04 | 1825011-8 |
| | TUBE | 0.105 [2.67] | 0.200 [5.08] | 0.260 [6.60] | 0.400 [10.16] | SILVER | SMT | TOP | DPDT | ASF22L04 | 1825011-7 |
| | T & R | 0.105 [2.67] | 0.200 [5.08] | 0.260 [6.60] | 0.400 [10.16] | GOLD | SMT | TOP | DPDT | ASF22GLTR04 | 1825011-6 |
| | TUBE | 0.105 [2.67] | 0.200 [5.08] | 0.260 [6.60] | 0.400 [10.16] | GOLD | SMT | TOP | DPDT | ASF22GL04 | 1825011-5 |
| | T & R | 0.105 [2.67] | 0.200 [5.08] | 0.260 [6.60] | 0.400 [10.16] | GOLD | THRU-HOLE | SIDE | DPDT | ASF22RG04 | 1825011-4 |
| | TUBE | 0.105 [2.67] | 0.200 [5.08] | 0.260 [6.60] | 0.400 [10.16] | SILVER | THRU-HOLE | SIDE | DPDT | ASF22R04 | 1825011-3 |
| | TUBE | 0.105 [2.67] | 0.200 [5.08] | 0.260 [6.60] | 0.400 [10.16] | GOLD | THRU-HOLE | TOP | DPDT | ASF22G04 | 1825011-2 |
| | TUBE | | | | | | | | | | |



DETAIL A
SCALE 10:1

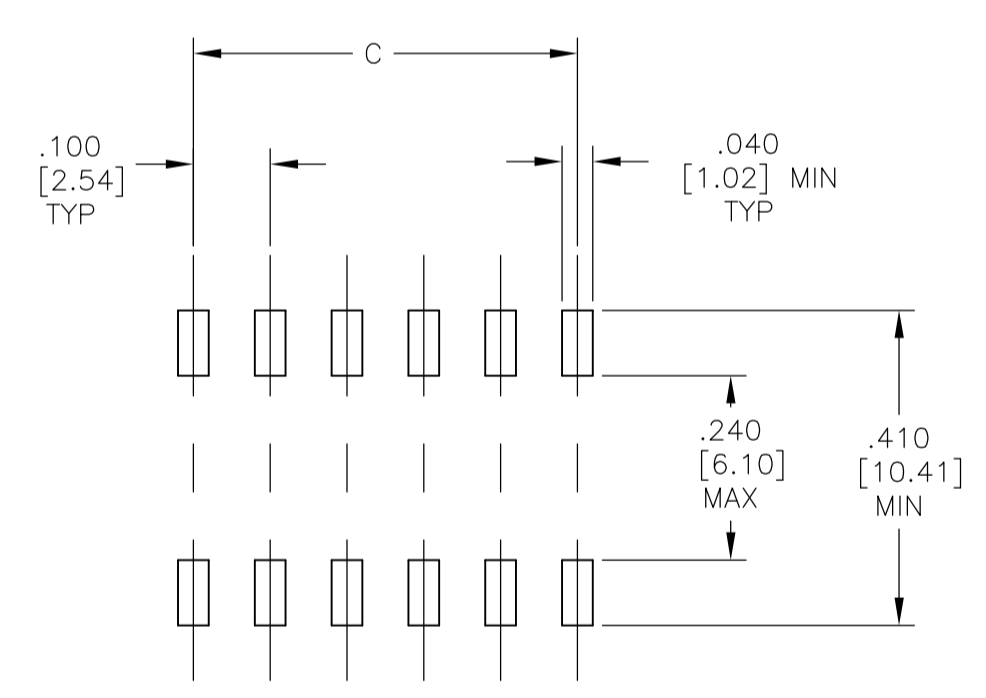


DETAIL B
SCALE 10:1



PRINTED CIRCUIT BOARD
PAD LAYOUT

"S" J-LEAD TYPE SURFACE MOUNT



PRINTED CIRCUIT BOARD
PAD LAYOUT

"L" GULL WING TYPE SURFACE MOUNT

| | | | | | |
|--|--|----------------------------|--|--|--|
| THIS DRAWING IS A CONTROLLED DOCUMENT. | | DIN B.S.VISWESWARA 20FEB05 | | TE Connectivity | |
| DIMENSIONS: INCHES [mm] | | CIRK M.S.SARVER 20FEB05 | | | |
| TOLERANCES UNLESS OTHERWISE SPECIFIED: | | APVD M.S.SARVER 20FEB05 | | NAME | |
| 0 PLC ± - | | PRODUCT SPEC | | SLIDE SWITCH ASF, AUTO-INSERTABLE, THRU-HOLE AND SURFACE MOUNT | |
| 1 PLC ± - | | APPLICATION SPEC | | - | |
| 2 PLC ± - | | WEIGHT | | - | |
| 3 PLC ± .01(0.25) | | SIZE | | A1 | |
| 4 PLC ± ± 1° | | DRAWING NO | | 00779 | |
| MATERIAL SEE SHEET 1 | | FINISH SEE SHEET 1 | | CUSTOMER DRAWING | |
| | | SCALE | | 4:1 | |
| | | SHEET | | 2 OF 2 | |
| | | REV | | B1 | |