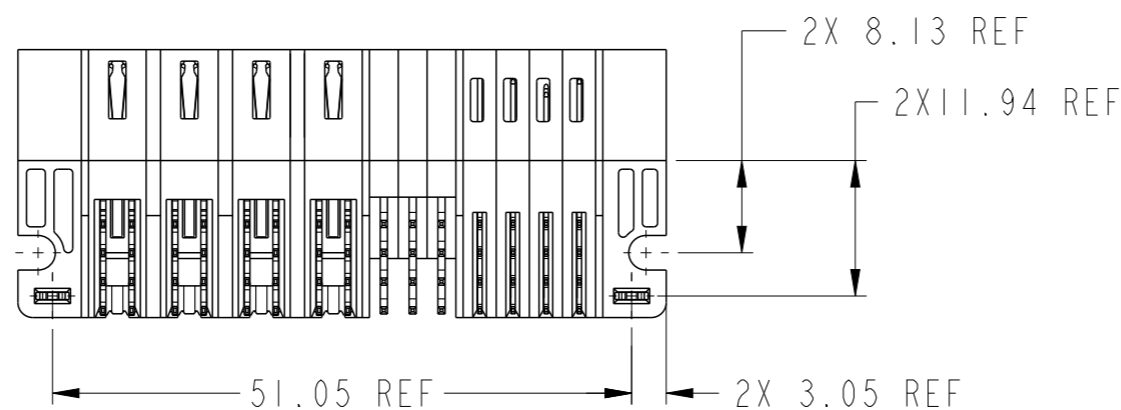
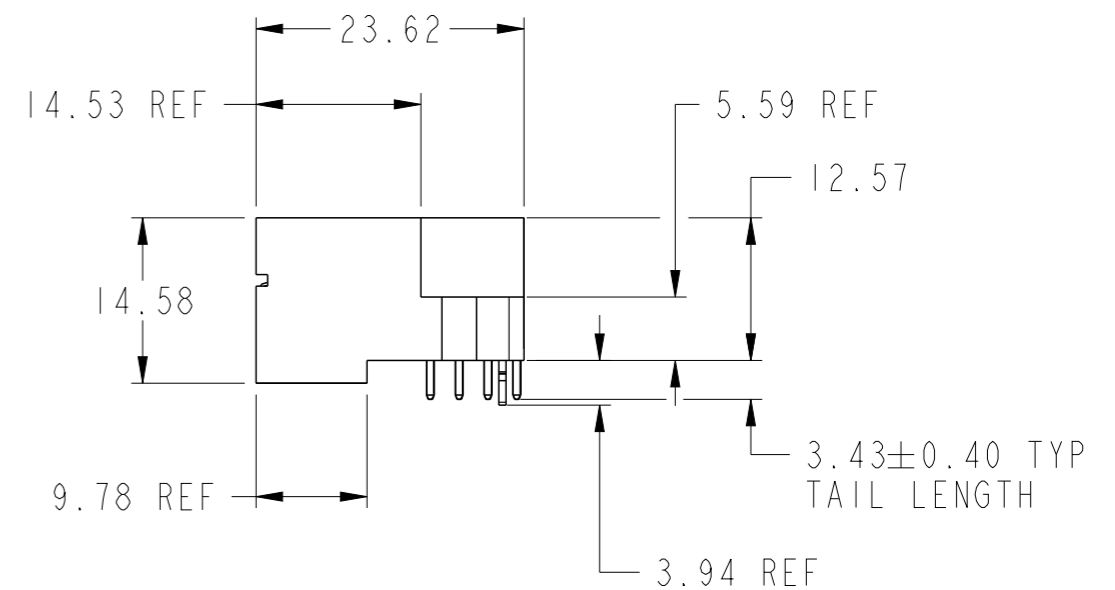
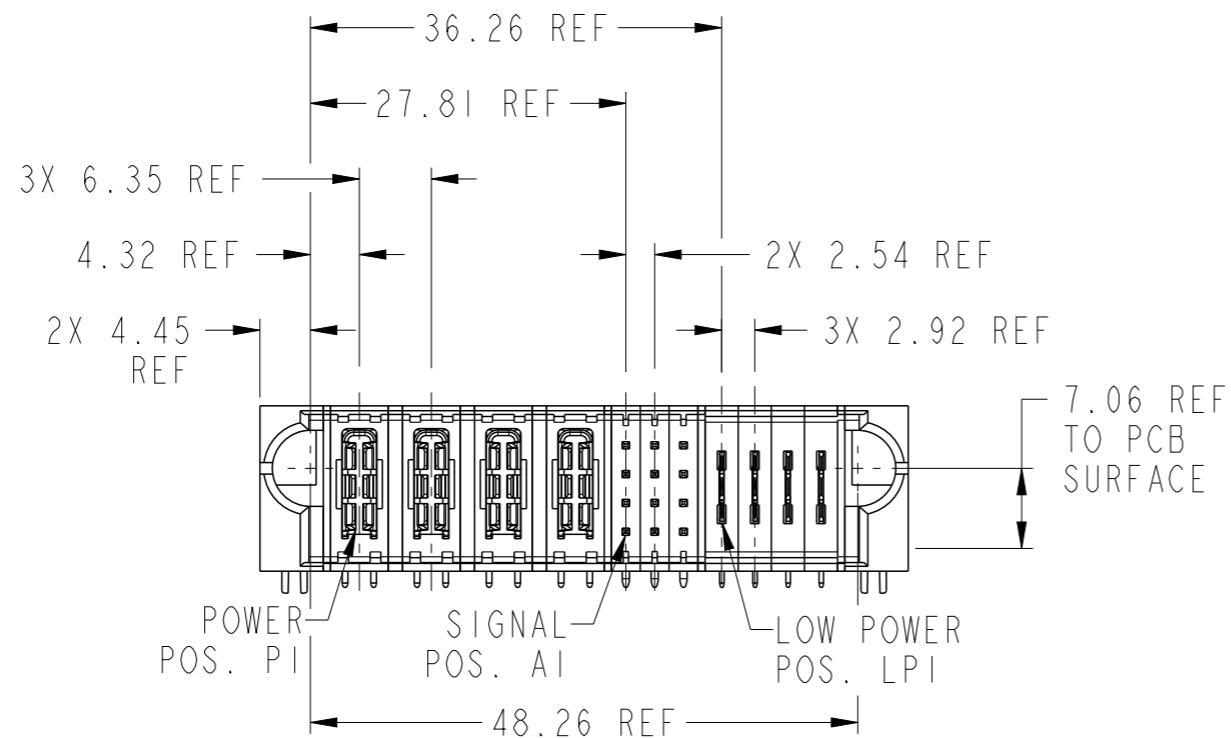
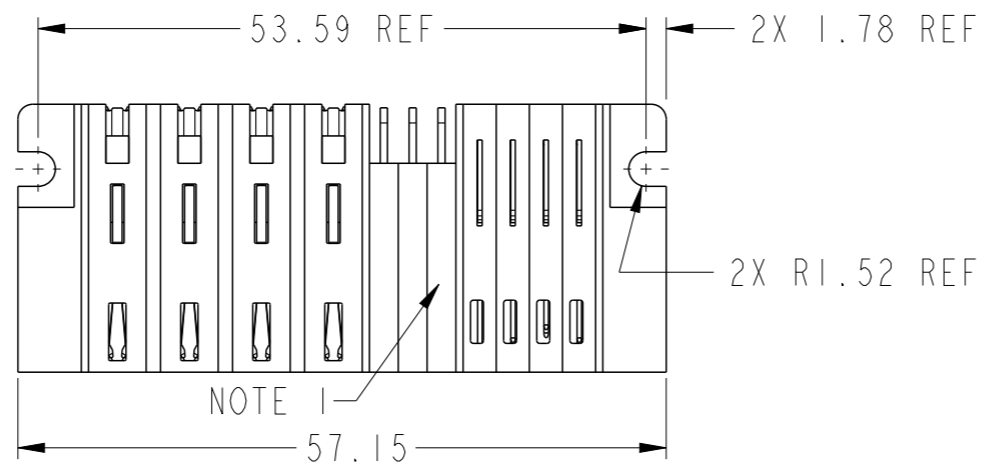


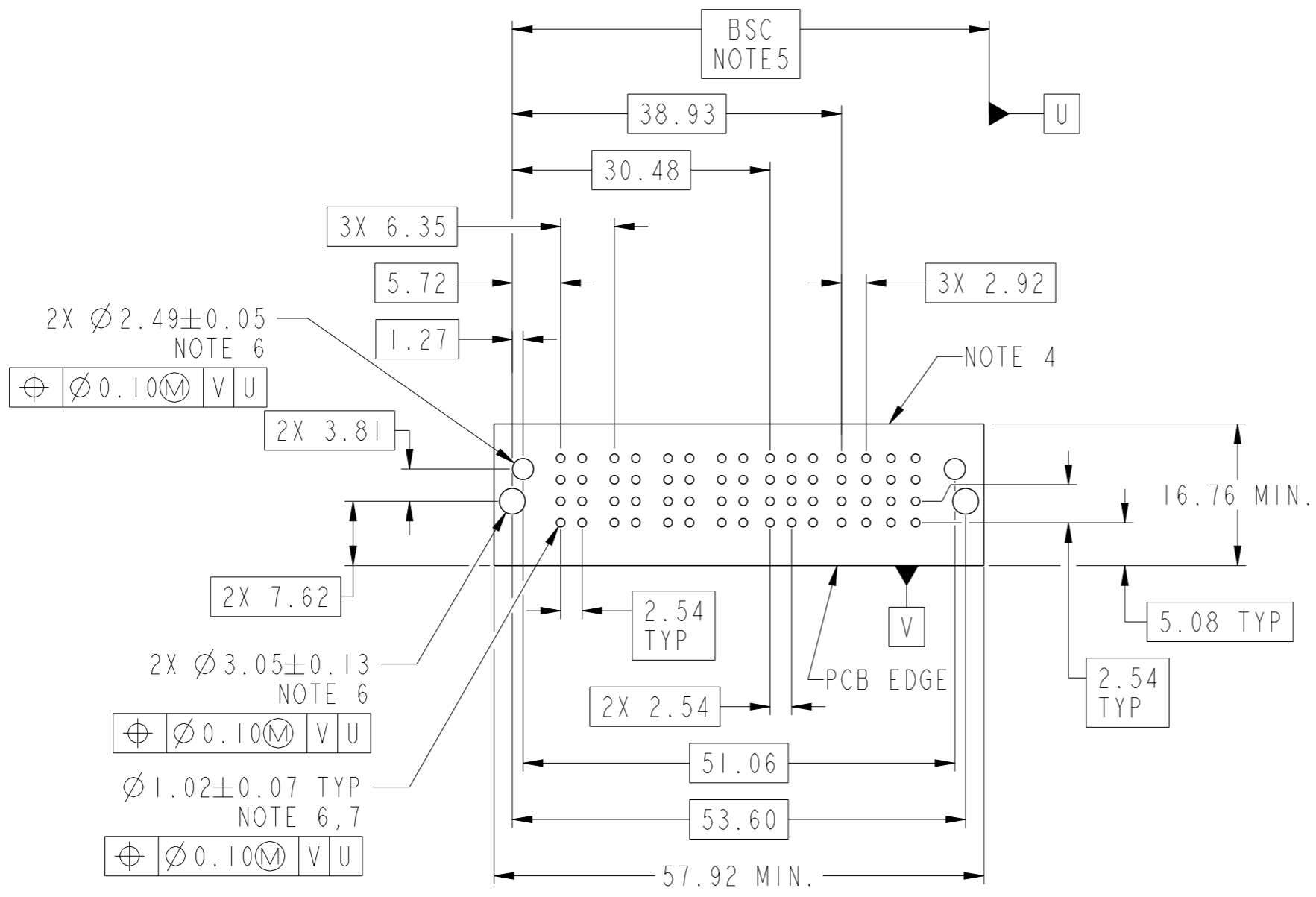
PRODUCT NUMBER SEE SHEET 2



spec ref	dr	Kar Babu	2012/05/02	projection	MM	size	A3	scale	3:2
tolerance std	eng	Peng-Bing Fu	2012/07/12			ecn no	-	rel level	Released
ASME Y14.5	chr	-	-						
TOLERANCES UNLESS OTHERWISE SPECIFIED				product family	PwrBlade+				
surface	<input checked="" type="checkbox"/> linear	0.X	±0.5		4HP + 12S + 4LP RA STB HEADER	dwg no 10106124-4403001	rev A		
		0.XX	±0.25						
		0.XXX	±0.10						
ASME Y14.5	angular	0°	±2°	www.fci.com	cat. no.	Product - Customer Drw		sheet 1 of 3	

PRODUCT NO.	ROWS	HIGH POWER				S			LP				E2
		E1	P1	P2	P3	P4	1	2	3	LP1	LP2	LP3	
10106124-4403001LF	DCBA	H1 H1 H1 H1				H U U U G T T L F S S L E R R U			L J L K L M L K				

CODE	DESCRIPTION
E	MLBF SIGNAL CONTACT, ROW A (3.43)
F	MLBF SIGNAL CONTACT, ROW B (3.43)
G	MLBF SIGNAL CONTACT, ROW C (3.43)
H	MLBF SIGNAL CONTACT, ROW D (3.43)
HI	STD HIGH POWER CONTACT (3.43)
HA	METAL HOLD DOWN
LJ	MFBL LOW POWER CONTACT (3.43)
LK	STD LOW POWER CONTACT (3.43)
LM	MLBF LOW POWER CONTACT (3.43)
R	STD SIGNAL CONTACT, ROW A (3.43)
RL	MFBL SIGNAL CONTACT, ROW A (3.43)
S	STD SIGNAL CONTACT, ROW B (3.43)
SL	MFBL SIGNAL CONTACT, ROW B (3.43)
T	STD SIGNAL CONTACT, ROW C (3.43)
TL	MFBL SIGNAL CONTACT, ROW C (3.43)
U	STD SIGNAL CONTACT, ROW D (3.43)
UL	MFBL SIGNAL CONTACT, ROW D (3.43)



Copyright FCI.

dr	Kar Babu	2012/05/02	projection	MM	size	A3	scale	3:2
eng	Peng-Bing Fu	2012/07/12			ecn no		-	
chr	-	-			rel level		Released	
appr	Pei-Ming Zheng	2012/07/12	product family		PwrBlade+			

www.fci.com	cat. no.		title		4HP + 12S + 4LP	dwg no	10106124-4403001	rev	A
			RA STB HEADER		Product - Customer Drw		sheet 2 of 3		

A

B

C

D

A

B

C

D

NOTES:

- 1) "FCI", PART NUMBER AND DATE CODE TO BE MARKED ON THIS SURFACE.
THE P/N CAN BE OMITTED IF THERE IS NOT ENOUGH SPACE ON THIS SURFACE.
- 2) MATERIALS:
-HOUSING - GLASS FILLED WITH HIGH TEMP THERMOPLASTIC, UL94V-0.
-SIGNAL CONTACT - COPPER ALLOY.
-POWER CONTACT - HIGH CONDUCTIVITY COPPER ALLOY.
- 3) PLATING SPECIFICATION REFER TO FCI 10116351
- 4) DENOTES CONNECTOR KEEP OUT ZONE.
- 5) DATUM AND BASIC DIMENIONS WERE ESTABLISHED BY CUSTOMER.
- 6) ALL HOLE DIAMETERS ARE FINISHED HOLE SIZES.
- 7) 1.15 ± 0.025 MM DRILLED HOLE PLATED WITH 0.00762MM MIN Sn
OVER 0.0254-0.0762MM Cu PLATING TO ACHIEVE A 1.02 ± 0.07 MM HOLE.
- 8) PRODUCT SPECIFICATION REFER TO FCI GS-12-658.
APPLICATION SPECIFICATION REFER TO FCI GS-20-141.
PRODUCT PACKAGED IN TRAYS, REFER TO FCI GS-14-1502.



Copyright FCI.

dr	Kar Babu	2012/05/02	projection 	MM 	size	A3	scale	3:2	
eng	Peng-Bing Fu	2012/07/12			ecn no	-			
chr	-	-			rel level	Released			
appr	Pei-Ming Zheng	2012/07/12	product family	PwrBlade+					
		4HP + 12S + 4LP			dwg no	10106124-4403001		rev	A
www.fci.com		cat. no.	Product - Customer Drw		sheet 3 of 3				