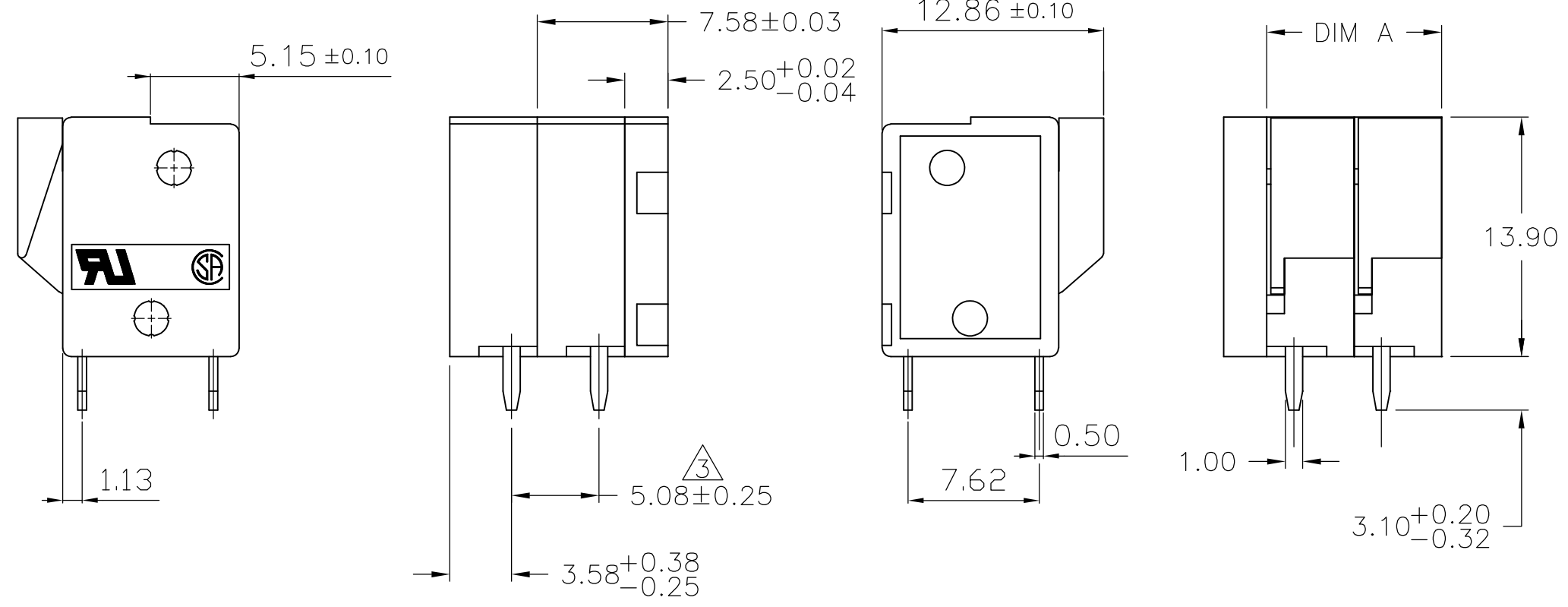
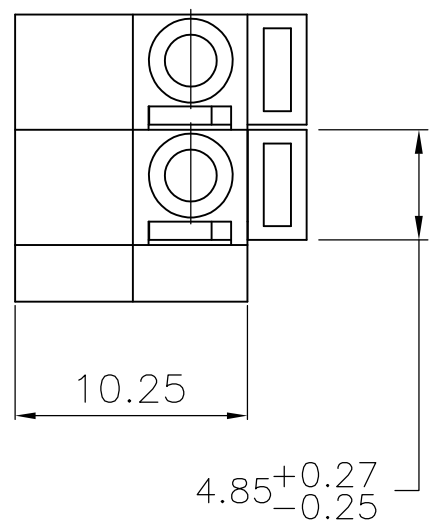


THIS DRAWING IS UNPUBLISHED. RELEASED FOR PUBLICATION  
 © COPYRIGHT - By - ALL RIGHTS RESERVED.

LOC	DIST	REVISIONS			
P	LTR	DESCRIPTION	DATE	DWN	APVD
FT	0	P	REVISD PER ECO-11-004820	11MAR11	RK HMR

1. ALL DIMENSIONS ARE IN mm'S.
  2. BUCHANAN LOGO TO APPEAR ON HOUSING, LOCATION OPTIONAL WHERE SPACE PERMITS.
- ⚠️ 3 NON CUMULATIVE



DIM. A	NO. OF POS.	PART NUMBER
60.96	12	1-1776260-2
55.88	11	1-1776260-1
50.80	10	1-1776260-0
45.72	9	1776260-9
40.64	8	1776260-8
35.56	7	1776260-7
30.48	6	1776260-6
25.40	5	1776260-5
20.32	4	1776260-4
15.24	3	1776260-3
10.16	2	1776260-2

1776260-2 AS SHOWN

THIS DRAWING IS A CONTROLLED DOCUMENT.		DWN S SCHLEGEL 5/6/05	TE Connectivity	
DIMENSIONS: mm 		CHK C RICHARD 5/6/05		
TOLERANCES UNLESS OTHERWISE SPECIFIED: 0 PLC ± - 1 PLC ± 0.3 2 PLC ± 0.25 3 PLC ± - 4 PLC ± - ANGLES ± -		APVD C RICHARD 5/6/05	NAME	
MATERIAL -		PRODUCT SPEC -	TERMINAL BLOCK, BOARD MT. SCREWLESS TOP WIRE ENTRY, HIGH TEMP	
FINISH -		APPLICATION SPEC -	SIZE A3	CAGE CODE 00779
		WEIGHT -	DRAWING NO C-1776260	RESTRICTED TO -
CUSTOMER DRAWING			SCALE NTS	SHEET 1 OF 2
			REV P	

THIS DRAWING IS UNPUBLISHED. RELEASED FOR PUBLICATION  
 © COPYRIGHT - By - ALL RIGHTS RESERVED.

LOC	DIST	REVISIONS			
P	LTR	DESCRIPTION	DATE	DWN	APVD
		SEE SHEET 1	-	-	-

1. Application and Features:

- 1-1. This screwless terminals are suitable for both solid and flexible conductors.
- 1-2. A spring made of stainless strip steel guarantees for permanent and safe contact.
- 1-3. The type is operated by pushing a screwdriver on the level. This lever is fully integrated into the body.
- 1-4. It is equipped with a cover for easy hand adjustment.

2-2. Electrical:

- 2-2-1. Current rating: 10 Amp 300VAC.
- 2-2-2. Dielectric withstanding voltage: 2000VAC (min).
- 2-2-3. Insulation resistance: 500MΩ more at 500VAC.
- 2-2-4. Wire Range: 14-22AWG.


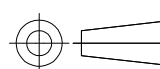
2. Technical Data:

2-1. Material:

- 2-1-1. HOUSING: NYLON 6.6, UL94V-0, GREEN,
- 2-1-2. Contact: Brass(Cu Zn)  
 Ni,Tin plated.  
 first 50u" (min) Ni plated over all.  
 last 120u" (min) Tin plated over all.
- 2-1-3. Metal Plate: Stainless strip steel.

2-3. Mechanical:

- 2-3-1. Wire retention force: 1.2 Kg (min).
- 2-3-2. Operating temperature: -55°C to +105°C.
- 2-3-3. Solderability: 95% coverage (min).

THIS DRAWING IS A CONTROLLED DOCUMENT.		DWN S SCHLEGEL	5/6/05	 TE Connectivity			
DIMENSIONS: mm		CHK C RICHARD	5/6/05				
		APVD C RICHARD	5/6/05	NAME TERMINAL BLOCK, BOARD MT. SCREWLESS TOP WIRE ENTRY, HIGH TEMP			
TOLERANCES UNLESS OTHERWISE SPECIFIED:		PRODUCT SPEC		-			
MATERIAL		APPLICATION SPEC		-			
FINISH		WEIGHT		SIZE	CAGE CODE	DRAWING NO	RESTRICTED TO
-		-		A3	00779	C-1776260	-
CUSTOMER DRAWING				SCALE	SHEET	REV	
				NTS	2 OF 2	P	