



Series 226A

3.0 x 2.6 x 1.0mm Compact Tactile Switch

- Surface mount gull-wing terminal configuration
- Compatible with IR reflow and manual soldering
- Compact size suitable for limited available space



Ordering Information

| Series | Terminal Type | Actuation Direction | Actuator Length "L" | Actuation Force | Packaging |
|--------|---------------|---------------------|---------------------|-----------------|-----------|
| 226A | M | V | A | A | R |

| Code | Spec. |
|------|-------------------------|
| M | Surface mount gull wing |

| Code | Spec. |
|------|----------------|
| A | 160 gf, black |
| B | 400 gf, salmon |

| Code | Spec. |
|------|-------|
| A | 1.4mm |

| Code | Spec. |
|------|----------|
| V | Vertical |

| Code | Spec. |
|------|-----------------------|
| R | Tape & reel packaging |

Notes: Contact CTS for other common features not listed.



Electrical Specifications

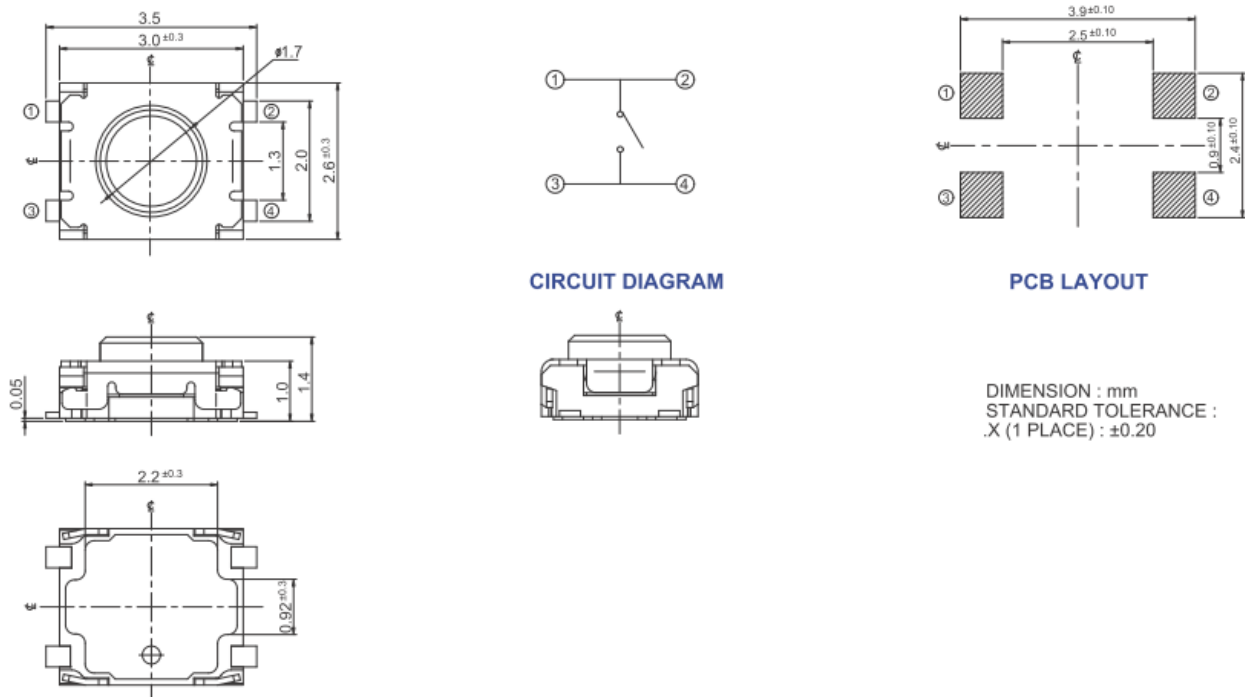
| Parameter | Conditions & Remarks | Min | Max | Unit |
|-----------------------|------------------------------------|-----|----------------|-----------------|
| Contact Resistance | | | 100 | milliohms |
| Insulation Resistance | Between insulated terminals | 100 | | Megohms |
| Dielectric Strength | 1 minute between adjacent switches | | 250 | VAC |
| Nonswitching Rating | | | 50 or 12 | mA or VDC |

Mechanical and Environmental

| | |
|-----------------------------|--|
| Soldering | Maximum reflow temperature, 260°C for 5 seconds Maximum manual temperature, 350°C for 3 seconds |
| RoHS | Lead-Free. Fully compliant to RoHS Directive 2011/65/EU |
| Operating Force | 160, 400 gf |
| Actuation Life | 160 gf: 500,000 cycles 400 gf: 200,000 cycles |
| Actuator Strength | 160 gf: 3 Kgf maximum 400 gf: 5 Kgf maximum |
| Travel | 0.15 mm |
| Packaging | Standard tape and reel packaging |
| Operating Temperature Range | -40°C to +85°C |
| Storage Temperature Range | -40°C to +85°C |

Mechanical Specifications

Figure 1 –226AM Surface Mount Gull Wing

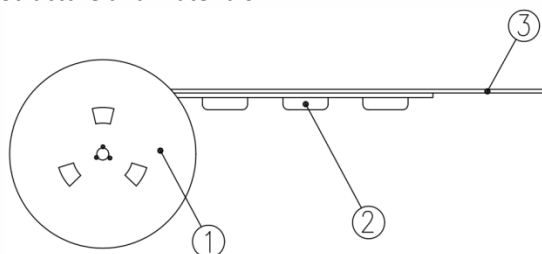


DIMENSION : mm
STANDARD TOLERANCE :
.X (1 PLACE) : ±0.20

Packing: Tape and Reel

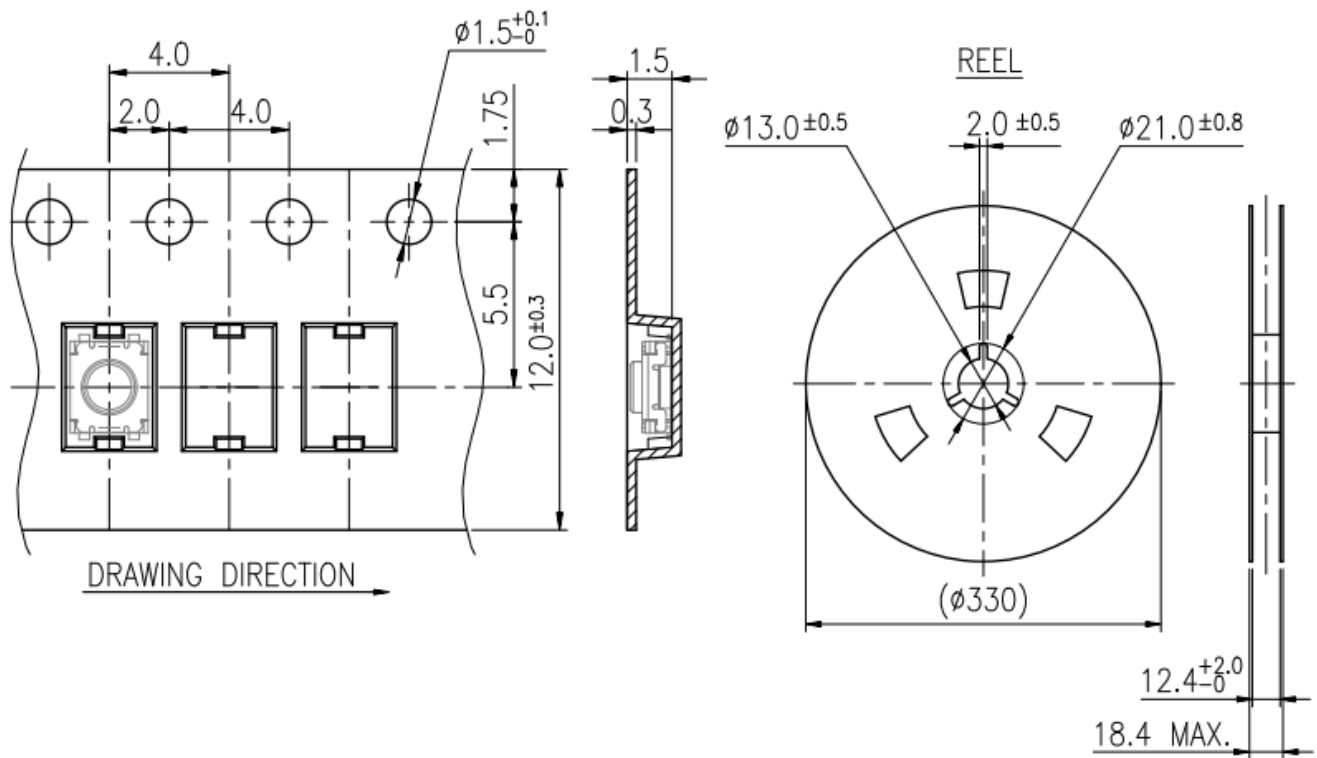
Surface Mount Gull Wing

The packing specifications:
Structure and materials:



| | | |
|-----|--------------|-------------|
| ③ | COVER TAPE | POLYESTER |
| ② | CARRIER TAPE | POLYSTYRENE |
| ① | REEL | POLYSTYRENE |
| NO. | PARTS NAME | MATERIALS |

1. Packing quantity: 9,500 pcs/reel
2. More than 10 empty pockets should remain at each end of the carrier tape for each reel.
3. Shortage less than 10 pcs a reel is acceptable but no more than 3 running pockets are allowed.
4. Stripping strength of cover tape is between 10 gf to 70 gf and stripping angle should be within 165°~180°.
5. The product in the pocket of carrier tape will be oriented as shown on the following page.
6. Tape and reel per EIA-481
7. Dimensions: see following page.



COVER TAPE

